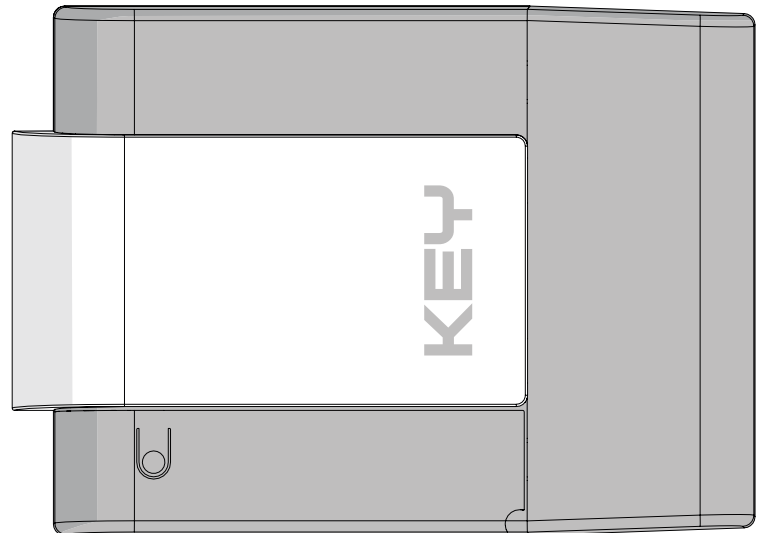




**Instructions and warnings for installation and use**  
*Istruzioni ed avvertenze per l'installazione e l'uso*  
*Instructions et avertissements pour l'installation et l'usage*  
*Anleitungen und Hinweise zu Installation und Einsatz*  
*Instrucciones y advertencias para su instalación y uso*  
*Instruções e advertências para a instalação e utilização*  
*Instrukcje i zalecenia dotyczące instalacji i użytkowania*



# HALO

**Garage door opener**

*Motoriduttore per porte da garage*

*Motoréducteur pour portes de garage*

*Motorreductor para puertas de garaje*

*Garagentorantrieb*

*Motorreductor para portões de garagem*

*Motoreduktor do bram garażowych*



Management  
System  
ISO 9001

[www.tuv.com](http://www.tuv.com)  
ID 9105043769

IMAGES P. 45  
IMMAGINI PAG. 45  
IMAGES PAGE 45  
IMÁGENES PÁG. 45  
ABBILDUNGEN S. 45  
IMAGENS PÁG.45  
ILUSTRACJE STR. 45

# LIST OF CONTENTS

<b>1</b>	<b>Safety warnings</b>	page 3
<b>2</b>	<b>Product Introduction</b>	page 5
2.1	Product description	page 5
2.2	Composition	page 5
2.3	Models and technical characteristics	page 5
2.4	Technical Specifications	page 6
2.5	List of cables required	page 6
<b>3</b>	<b>Preliminary checks</b>	page 7
<b>4</b>	<b>Product installation</b>	page 7
4.1	Halo assembly and installation with LED rail	page 7
4.2	3-part rail assembly	page 8
4.3	Single rail assembly	page 8
4.4	Connection of the motor casing to the steel rails	page 8
4.5	Installation with motor casing on spring holder shaft or on cross beam	page 8
4.6	Traditional installation	page 8
4.7	Manual opening of the door	page 8
4.8	Fixing the LED rail opening limit stops	page 8
4.9	Fixing the steel rail opening limit stops	page 8
4.10	Electrical wiring	page 8
4.11	Radio controls programming	page 9
4.12	Learning of opening and closing values	page 10
4.13	Changing a control unit parameter	page 11
4.14	Control unit resetting	page 11
4.15	Hole for access control mechanism	page 11
4.16	Using the display programmer	page 12
4.17	KUBE PRO / KUBE wireless module connection	page 12
<b>5</b>	<b>Testing and commissioning</b>	page 13
5.1	Testing	page 13
5.2	Commissioning	page 13
<b>6</b>	<b>CE Declaration of Conformity</b>	page 95

## 1 - SAFETY WARNINGS

### ATTENTION !

**ORIGINAL INSTRUCTIONS - important safety instructions. Follow the instructions since incorrect installation can lead to severe injury! Save these instructions.**

Read the instructions carefully before proceeding with installation.

**The design and manufacture of the devices making up the product and the information in this manual are compliant with current safety standards. However, incorrect installation or programming may cause serious injury to those working on or using the system. Compliance with the instructions provided here when installing the product is therefore extremely important.**

If in any doubt regarding installation, do not proceed and contact the Key Automation Technical Service for clarifications.

**Under European legislation, an automatic door or gate system must comply with the standards envisaged in the Directive 2006/42/EC (Machinery Directive) and in particular standards EN 12453; EN 12635 and EN 13241-1, which enable declaration of presumed conformity of the automation system.**

Therefore, final connection of the automation system to the electrical mains, system testing, commissioning and routine maintenance must be performed by skilled, qualified personnel, in observance of the instructions in the "Testing and commissioning the automation system" section.

The aforesaid personnel are also responsible for the tests required to verify the solutions adopted according to the risks present, and for ensuring observance of all legal provisions, standards and regulations, with particular reference to all requirements of the EN 12453 standard which establishes the test methods for testing door and gate automation systems.

### ATTENTION !

**Before starting installation, perform the following checks and assessments:**

ensure that every device used to set up the automation system is suited to the intended system overall. For this purpose, pay special attention to the data provided in the "Technical specifications" section. Do not proceed with installation if any one

of these devices is not suitable for its intended purpose;

check that the devices purchased are sufficient to guarantee system safety and functionality;

perform a risk assessment, including a list of the essential safety requirements as envisaged in Annex I of the Machinery Directive, specifying the solutions adopted. The risk assessment is one of the documents included in the automation system's technical file. This must be compiled by a professional installer.

**Considering the risk situations that may arise during installation phases and use of the product, the automation system must be installed in compliance with the following safety precautions:**

never make modifications to any part of the automation system other than those specified in this manual. Operations of this type can only lead to malfunctions. The manufacturer declines all liability for damage caused by unauthorised modifications to products;

if the power cable is damaged, it must be replaced by the manufacturer or its after-sales service, or in all cases by a person with similar qualifications, to prevent all risks;

do not allow parts of the automation system to be immersed in water or other liquids. During installation ensure that no liquids are able to enter the various devices; should this occur, disconnect the power supply immediately and contact a Key Automation Service Centre. Use of the automation system in these conditions may cause hazards;

never place automation system components near to sources of heat or expose them to naked lights. This may damage system components and cause malfunctions, fire or hazards;

### ATTENTION !

**The drive shall be disconnected from its power source during cleaning, maintenance and when replacing parts. If the disconnect device is not in a visible location, affix a notice stating: "MAINTENANCE IN PROGRESS":**

connect all devices to an electric power line equipped with an earthing system;

the product cannot be considered to provide

effective protection against intrusion. If effective protection is required, the automation system must be combined with other devices;

the product may not be used until the automation system "commissioning" procedure has been performed as specified in the "Automation system testing and commissioning" section;  
the system power supply line must include a circuit breaker device with a contact gap allowing complete disconnection in the conditions specified by class III overvoltage;

use unions with IP55 or higher protection when connecting hoses, pipes or cable glands;

the electrical system upstream of the automation system must comply with the relevant regulations and be constructed to good workmanship standards;

this appliance can be used by children aged from 8 years and above and persons with reduced physical, sensory or mental capabilities or lack of experience and knowledge if they have been given supervision or instruction concerning use of the appliance in a safe way and understand the hazards involved;

before starting the automation system, ensure that there is no-one in the immediate vicinity;

before proceeding with any cleaning or maintenance work on the automation system, disconnect it from the electrical mains;

special care must be taken to avoid crushing between the part operated by the automation system and any fixed parts around it;

children must be supervised to ensure that they do not play with the equipment;

drive is not to be used with doors having openings exceeding 50mm in diameter or having edges or protruding parts a person could grip or stand on;

that the drive cannot be used with a driven part incorporating a wicket door unless the drive can only be operated with the wicket door in the safe position;

in the case of detection of an obstacle during its closing travel, the garage door reverses its travel direction, releasing the obstacle until it opens completely;

install the actuating member for the manual release at a height less than 1,8m. If removable, the actuating member should be stored in direct

vicinity of the door;

install any fixed control at a height of at least 1,5m and within sight of the door but away from moving parts;

permanently fix the labels warning against entrapment in a prominent place or near any fixed controls (Fig. 1 Pag. 54);

after installation, ensure that the mechanism is properly adjusted and that the drive reverses or the object can be freed when the door contacts a 50mm high object placed on the floor (for drives incorporating an entrapment protection system depending on contact with the bottom edge of the door);

after installation, ensure that parts of the door do not extend over public footpaths or roads;

when the appliance is provided with a separate stop button, that stop button shall be unambiguously identifiable.

#### ATTENTION !

**Frequently examine the installation for imbalance where applicable and signs of wear or damage to cables, springs and mounting. Do not use if repair or adjustment is necessary.**

#### ATTENTION !

**Packaging components (cardboard, plastic, etc.), duly separated, must be placed in the appropriate bins. Device components such as electronic boards, metal parts, batteries, etc. must be separated and differentiated. For the methods of disposal, the rules in force in the place of installation must be applied. DO NOT DISPOSE IN THE ENVIRONMENT!**



**Key Automation reserves the right to amend these instructions if necessary; they and/or any more recent versions are available at [www.keyautomation.com](http://www.keyautomation.com)**

## 2 - PRODUCT INTRODUCTION

### 2.1 - Product description

Halo is an irreversible electromechanical gearmotor suitable for automating overhead doors up to 17m<sup>2</sup> and sectional doors up to 19m<sup>2</sup>. Halo is equipped with an encoder, a control unit and an integrated 4-channel receiver. The rail is pre-assembled with a belt, in one piece or 3 pieces.

A special aluminium rail, powder coated and with integrated LEDs, allows for garage lighting both during movement and at any other

time.

The special flat design of the motor housing also makes it possible to install it less invasively near the door cross beam or the spring holder shaft.

### 2.2 - Composition

The automation system for garage doors is contained in two boxes forming the automation system's and the rail system's packaging:

FIG. 1 head package contents with parts list

FIG. 2 LED rail

FIG. 3 single piece steel rail

FIG. 4 3-piece steel rail

### 2.3 - Models and technical characteristics

CODE	DESCRIPTION	POWER
900HA8	For sectional doors up to 11 sqm (with 3 m guide) or 12 sqm (with 4 m guide), a 24 Vdc motor and a control unit with an integrated receiver	800N
900HA12	For sectional doors up to 16 sqm (with 3 m guide) or 19 sqm (with 4 m guide), a 24 Vdc motor and a control unit with an integrated receiver	1200N
900HA12E	For sectional doors up to 16 sqm (with 3 m guide) or 19 sqm (with 4 m guide), "Low Energy" with 24 Vdc motor and a control unit with an integrated receiver	1200N
900HA12L	For sectional doors up to 16 sqm (with 3 m guide) or 19 sqm (with 4 m guide), a 24 Vdc motor and a control unit with an integrated receiver and 120Vac power supply	1200N

#### HEAD/RAIL COMPATIBILITY

	HA8	HA12 - HA12E - HA12L
900RAB31	X	X
900RAB3X1P	X	X
900RAB41	X	X
900RAB2X2P	X	X
900RAB61		X
900RAL31		X
900RAL41		X

#### TECHNICAL SPECIFICATIONS

	900HA8	900HA12	900HA12E	900HA12L
Speed	15 cm/s	15 cm/s	15 cm/s	15 cm/s
Force	800 N	1200 N	1200 N	1200 N
Max cycles/hour <sup>(1)</sup>	20	20	20	20
Max consecutive cycles/hour <sup>(1)</sup>	10	10	10	10
Rated power	80w	100w	100w	100w
Stand-by power	5,5 W	5,5 W	<0,5 W	5,5 W
Power supply	230vac (±10%) 50hz	230vac (±10%) 50hz	230vac (±10%) 50hz	120vac (±10%) 50/60hz
Flashing	3 W Max	3 W Max	3 W Max	3 W Max
Courtesy light on rail with integrated LEDs	-	40 W Max	40 W Max	40 W Max
Accessories power output	100mA (24 Vdc not regulated)			
Fuse 1 power line	1AT	1AT	1AT	2AT
Max no. of transmitters that can be stored	90	90	90	90
ROLLING CODE				
Degree of protection	IP 20	IP 20	IP 20	IP 20
Use in highly acid, saline or explosive atmosphere	No	No	No	No
Dimensions (L x D x H):	235-330-84 mm	235-330-84 mm	235-330-84 mm	235-330-84 mm
Weight	6,25 Kg	6,8 Kg	6,8 Kg	6,8 Kg
Working temperature	-10°C/+45°C	-10°C/+45°C	-10°C/+45°C	-10°C/+45°C
Maximum door size	12 m <sup>2</sup>	19 m <sup>2</sup>	19 m <sup>2</sup>	19 m <sup>2</sup>
Maximum door weight	120 Kg	200 Kg	200 Kg	200 Kg

<sup>(1)</sup> for door up to 2m in height

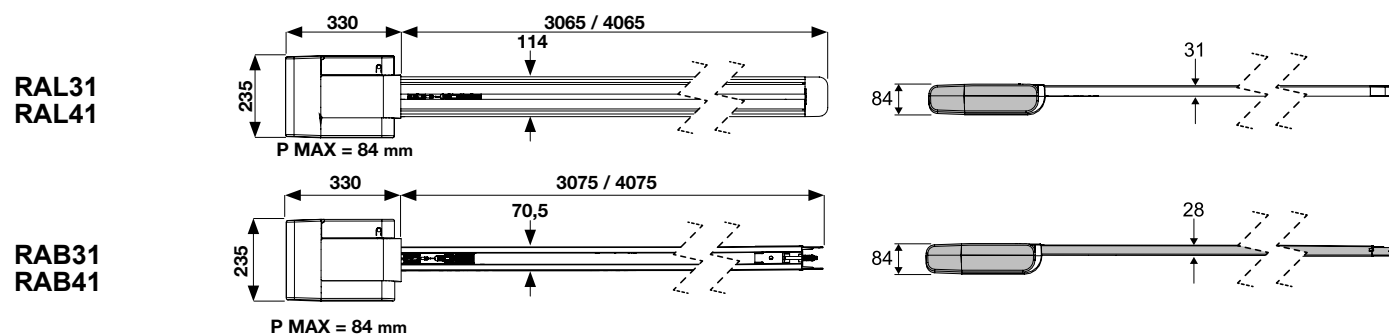
USE LIMITS		USE LIMITS	
Sectional	Up-and-over slide-away	Sectional	Up-and-over slide-away
900HA8 with 3 m rail		900HA12, 900HA12E, 900HA12L with 3 m rail	
S max=11m <sup>2</sup> H max = 2,6m	S max=10m <sup>2</sup> H max = 3m	S max=16m <sup>2</sup> H max = 2,6m	S max=16m <sup>2</sup> H max = 3m
900HA8 with 4 m rail		900HA12, 900HA12E, 900HA12L with 4 m rail	
S max=12m <sup>2</sup> H max = 3,6m	S max=11m <sup>2</sup> H max = 3,4m	S max=19m <sup>2</sup> H max = 3,6m	S max=17m <sup>2</sup> H max = 3,4m

## 2.4 - Technical specifications

### Recommended model and use - Available rails and dimensions

MODEL	MATERIAL	NOTES	DRIVE TYPE	TOTAL LENGTH	RAIL TRAVEL
900RAL31	Aluminium	With integrated LED lighting	Belt	3090 mm (1x3m)	2660 mm
900RAL41	Aluminium	With integrated LED lighting	Belt	4090 mm (1x4m)	3660 mm
900RAB3X1P	Steel		Belt	3100 mm (3x1.03m)	2670 mm
900RAB31	Steel		Belt	3100 mm (1x3.1m)	2670 mm
900RAB41	Steel		Belt	4100 mm (1x4.1m)	3670 mm
900RAB2X2P	Steel		Belt	4100 mm (2x2.05 m)	3670 mm

The data shown may vary according to the sliding and balancing performance of the door and the type of rail used.



## 2.5 - List of cables required

In a typical plant, the cables necessary for connection of the various devices are shown in the cable list table. The cables used must be suitable for the type of installation, for example we recommend a

H03VV-F type cable for indoor installation or H07RN-F for outdoor installation.

CABLE LIST TABLE		
CONNECTION	CABLE TYPE	MAX LENGTH PERMITTED
Power supply line	Schuko CEE 7/4	
Flashing light, courtesy light	1 x cable 3 x 0.5 mm <sup>2</sup>	20 m
Antenna	1 x RG58 type cable	20 m (recommended < 5 m)
Transmitter photocells	1 x cable 2 x 0.5 mm <sup>2</sup>	20 m
Receiver photocells	1 x cable 4 x 0.5 mm <sup>2</sup>	20 m
Radio sensitive edge (*)	1 x cable 4 x 0.5 mm <sup>2</sup>	<2 m
Key selector	1 x cable 2 x 0.5 mm <sup>2</sup>	20 m

If there is not a suitable power outlet near the equipment, contact qualified personnel for its installation.

(\*): refer to the manufacturer's instructions

## 3 - PRELIMINARY CHECKS

Before installing the product, check and verify the following points:

- Check that the door is suitable for automated control
- The weight and the size of the door must be within the limits of use specified for the automation system in which the product is integrated
- Check that the mechanical safety stops required on the door are solid and properly installed
- Check that the product fixing area is not subject to flooding
- Heavy acidity or salinity conditions or proximity to sources of heat may cause product malfunction
- In case of extreme weather conditions (for example snow, ice, sudden temperature changes, high temperatures) friction could increase and consequently, the force necessary for movement and initial start-up could be higher than that required under standard

conditions

- Check that the manual movement of the door is smooth and free from peak friction points and that there is no risk of the door going off its rails
- Check that the door is well balanced and will not move notwithstanding the position it is left in
- Check that the power line to which the product is to be connected is equipped with an adequate safety earthing system and protected by a magnetothermic circuit breaker and differential cutoff device
- Provide a disconnecting device in the system power supply network with a contact opening gap that allows for complete disconnection in the conditions provided by the overvoltage category III.
- Check that all the material used for installation complies with the regulations in force

## 4 - PRODUCT INSTALLATION

### 4.1 - Halo assembly and installation with LED rail

Before starting assembly operations, make sure to have all the necessary tools available (FIG. 5).

Place the rail on a flat surface, protecting it from any scratches. Remove the plastic cap and take out the contents.

Cause the transmission pulley to slide until the screw protrudes more from the end of the rail, unscrew the nut, insert the tensioning spring and re-tighten the nut until belt tension is ensured (FIG. 6, 7). Bring the head close to the rail and place it on a flat surface, protecting the bottom cover from potential scratches. Remove the rear cover by applying pressure to the two points indicated (FIG. 8).

Remove the white cover (FIG. 9), use a utility knife to cut the two rectangles on the white cover and remove them (FIG.10).

Open the indicated door by cutting the plastic material with a utility knife and lifting it gently (FIG. 11), then insert the LED adjustment board (contained in the rail package) with the cables already inserted (FIG. 2, 12). Gently close back the cover. Place the cables in the special slots, inserting the cable without connector into the indicated hole (FIG. 12).

Insert the metal adapter inside the hole on the rail with the help of a rubber mallet (FIG. 13) then insert the rail on the head, taking care to match the adapter grooving to the motor pin's (FIG. 14) and connect the connector (FIG. 15).

#### ATTENTION !

**Check that the cables are inside their provided seats before positioning and tightening the upper plate (FIG. 16) to avoid crushing them. Tighten the 4 cross-head screws.**

Open the side door, remove the cable and connect the wires to the control unit (FIG. 17). Close back the side door.

Place the motor on the spring holder shaft (FIG. 18), lift the rail until parallel to the ground, measure the dimension A (distance between the rail and ceiling) and then cut the threaded bar to **a measure corresponding to A - 5 cm** (FIG. 19). The threaded bar and the fixing components are included with the LED rail.

Assemble the components of the threaded bar (FIG. 20). Fix the threaded bar to the ceiling using suitable screws or anchors (not supplied) (FIG. 21). Assemble and insert the lower part of the bracket into the rail causing it to slide in the slots (FIG. 22) then insert the plastic cap in the rail.

Connect the threaded bar to the hexagonal nut at the top of the rail, turning the bar, until it goes in by about 1 cm, in order to have a per-

fectly horizontal rail. Then tighten the nuts in the indicated sequence (FIG. 23).

Insert the long screws and turn them by hand, to allow the nuts to fit back inside their seats (FIG. 24). Allow the screws to protrude by a few millimetres, so that the bracket can be inserted in the provided slot. Use the slot to position the bracket on the cross beam and mark the positions of the holes (FIG. 25).

Move the motor to the side and fix the bracket using suitable screws and anchors (not supplied) (FIG. 26).

Reposition the motor on the bracket.

#### ATTENTION !

**Now turn the long side screws only slightly (FIG. 38). Do not tighten hard so as not to damage the nut seats.**

Tighten the lock nuts (FIG. 27) hard, while holding the screws in place with a hexagonal wrench.

#### ATTENTION !

**Do not turn the screws to avoid breaking the nut seats, turn exclusively the lock nuts until tight.**

Fix the lower jaws (FIG. 28).

Fix the bracket to the upper part of the door, in a central position (FIG. 29) and exactly in the middle of the C-shaped bracket (FIG. 26). Measure the indicated dimensions (TAB. 1A) and put together the connecting arm with the indicated parts (TAB. 2).

Release the slider by operating the release cord (FIG. 30).

Pull the slider clip, insert the curved arm and its pin inside it (FIG. 31, 32, 33, 34) and tighten the 2 countersunk-head screws to close the clip. Also tighten the 2 countersunk head screws symmetrically at the opposite end of the slider.

Connect the arm to the door (FIG. 35), then reset the slider by moving the release cord to allow the lever to retract and lock it, moving the door manually until it engages (FIG. 36).

Remove the transparent stickers provided to protect the rail and LED diffuser profiles (FIG 37).

After completing the programming (next paragraphs), fix the safety screw (FIG. 52) and place the white cover back (FIG. 53).

#### 4.2 - 3-part rail assembly

Assemble the rail (FIG. 4) then pull the belt (FIG. 7)

#### 4.3 - Single rail assembly

Pull the belt (FIG. 7)

#### 4.4 - Connection of the motor casing to the steel rails

Follow the instructions in section 4.1 (FIG. 13, 14, 16)

#### 4.5 - Installation with motor casing on cross beam

##### ATTENTION !

For anything not indicated, please refer to paragraph 4.1

Follow the instructions in section 4.1 from FIG. 25; please be careful not to connect the bracket to the slot, but to the single hole (FIG. 38) and to follow the instructions of TAB. 1B and TAB. 2. Then continue following the instructions in section 4.1

#### 4.6 - Standard installation

##### ATTENTION !

For anything not indicated, please refer to paragraph 4.1

##### ATTENTION !

**DO NOT REMOVE THE REAR COVER!**

Fix the bracket to the cross beam (FIG. 26), then connect the steel rail using one of the two long screws supplied (FIG. 39) and to follow the instructions of TAB. 1C and TAB. 2.

Raise the rail until parallel to the ground, measure the dimension A and then cut the two ceiling brackets as shown: dimension **A + 3 cm** (FIG. 40). Insert the quick coupling plate, then connect it to the ceiling brackets (FIG. 41, 42). Fix the brackets to the ceiling using suitable screws and anchors (not supplied).

Follow the instructions in section 4.1 from FIG. 29 to FIG. 35, by inserting the arm in the slit of the slider previously cut open with a utility knife (FIG. 43).

#### 4.7 - Manual opening of the door

In the event of a power failure and if the optional buffer battery is not available, to unlock the automation system:

##### PHASE DESCRIPTION

1	Pull the cord in order to bring the release lever to its vertical position (FIG. 30)
2	Lift or lower the door manually
3	To reset the automation system, move the cord so as to allow the release lever to fit fully back into the pulling slider (FIG. 36)
4	Lift or lower the door manually until it engages with the rail

#### 4.8 - Fixing the LED rail opening limit stop

Unlock the slider, manually lift the door until it is in its maximum possible indicated opening position **H - 10 cm** (FIG. 44). Mark the end position of the slider with a pencil (FIG. 45), then drill a hole and fix with the screw (FIG. 46).

#### 4.9 - Fixing the steel rail opening limit stop

Unlock the slider, manually lift the door until it is in its maximum possible indicated opening position **H - 10 cm** (FIG. 44). Firmly fasten the limit stops (FIG. 47).

#### 4.10 - Electrical wiring

##### ATTENTION !

**Before connecting, check that the control unit is not powered**

Follow the connection instructions (FIG. 48)

##### ELECTRICAL WIRING

COM	FLASH, LED output common
FLASH	Flashing output 24Vdc (not regulated), maximum 3W
LED	Courtesy light output 24Vdc (not regulated), maximum 20W
PH-POW	Photocell power positive output 24Vdc (not regulated), maximum 100mA
NEG	Photocell power negative output
PH	Photocells (closing) NC contact between PH and COM
EDGE/EDGE	Sensitive edge input, NC contact, 8k2 resistive or 8k2 double resistive (parallel)



SBS	STEP BY STEP NO contact control between SBS and COM Open/Stop/Close/Stop control or control based on software selection
STOP	NC contact STOP between STOP and COM. The contact can be activated at any time and will immediately lock the automation system, disabling any function including automatic closing
COM	SBS, STOP input common
L1	RED LED indicating programming of control panel parameters
MENU	Key for programming control panel parameters
RADIO	Key for programming integrated radio parameters
L2	GREEN LED indicating programming of radio parameters
KUBE/DYL	DYL and KUBE connector
SBS	SBS (STEP-BY-STEP) key for automation system control
DIP1/PH DIP2/EDGE	Dip switch for disabling safety devices (PH, EDGE) see FIG. 48
SHIELD	Antenna - sheath -
ANT	Antenna - signal -

The LED flashing light must be connected to the COM and FLASH terminals.

The courtesy light must be connected to the COM and LED terminals.

The SBS step by step contact must be connected to the COM and SBS terminals (normally open NO contact).

The photocell contact must be connected to the COM and PH terminals. **To bypass the photocell, move the left-hand dip switch upwards. After having activated the dip switch, the LEDs L1 and L2 start to flash at a fast rate.**

**⚠ ATTENTION !**

**CONFIRM INPUT PH DEACTIVATION BY PRESSING THE MENU**

**AND RADIO BUTTONS SIMULTANEOUSLY AND HOLDING THEM DOWN UNTIL THE LEDs L1 AND L2 STOP FLASHING.**

The inputs of the sensitive EDGE must be connected to the EDGE and EDGE terminals. **To bypass the sensitive edge, move the right-hand dip switch upwards. After having activated the dip switch, the LEDs L1 and L2 start to flash at a fast rate.**

**⚠ ATTENTION !**

**CONFIRM INPUT EDGE DEACTIVATION BY PRESSING THE MENU AND RADIO BUTTONS SIMULTANEOUSLY AND HOLDING THEM DOWN UNTIL THE LEDs L1 AND L2 STOP FLASHING.**

**4.11 - Memorising a remote control**

If you have a KUBE PRO wireless module, connect it to the control unit (FIG. 49, 50) and follow the instructions on the screen.  
If you have a DYL cable module, connect it to the control unit and

follow the instructions on the screen.  
Otherwise proceed as described below:





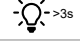
**MEMORISING A REMOTE CONTROL**

**⚠ ATTENTION !**




**By activating the memorising phase any transmitter within the range can be stored. To reduce the receiver range, disconnect the antenna temporarily.**

PHASE	DESCRIPTION	EXAMPLE
1	Press and release the RADIO button for a number of times equal to the feature that you wish to activate: 1 time for the feature: SBS (STEP-BY-STEP or OPEN - STOP - CLOSE - STOP), 2 times for the feature: PARTIAL OPENING, 3 times for the feature: OPENING ONLY, 4 times for the feature: LIGHT ON/OFF, 5 times for the feature: PRE-SET (key 1 = SBS, key 2 = PARTIAL OPENING, key 3 = OPENING ONLY, key 4 = LIGHT ON/OFF) 6 times for the feature: WALL BUTTON (key 1 = CLOSES/STOP, key 2 = OPENS/STOP, key 3 = VENTILATION, key 4 = LIGHT ON/OFF)	
2	LED L2 flashes a number of times corresponding to the selected output at 1 second intervals	
3	Within 10 seconds, press and hold the button of the radio control that you wish to store for at least 2 seconds	
4	If the memorisation has been successful, the LED L2 will emit a long flash	
5	To memorize another remote control on the same output, repeat point 3	
Note	After 10 seconds of inactivity, the receiver automatically exits the programming phase	

## DELETING A REMOTE CONTROL

PHASE	DESCRIPTION	EXAMPLE
1	Press the RADIO button until the LED L2 lights up (about 3 seconds)	
2	Within 10 seconds, press and hold a button of the remote control that you wish to delete until the LED L2 on the receiver goes off. Release the remote control button	
3	After about 1 second from releasing the button the LED L2 on the receiver starts to flash	
4	Confirm deleting by pressing the RADIO button	
5	If deleting has been successful, the LED L2 will emit one long flash	
Note	After 10 seconds of inactivity, the receiver automatically exits the deleting phase	




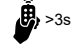
## CLEARING THE ENTIRE RECEIVER MEMORY/RECEIVER RESET

PHASE	DESCRIPTION	EXAMPLE
1	Press and hold the RADIO button until the LED L2 lights up (about 3 seconds) and then goes off (about 3 seconds). Release the button	
2	After about 1 second from releasing the button the LED L2 on the receiver starts to flash	
3	To delete all the memory, press the RADIO button upon the third flash	
4	If deleting/resetting has been successful the LED L2 will emit one long flash	

## REMOTE MEMORISATION OF A REMOTE CONTROL WITH A REMOTE CONTROL ALREADY MEMORISED

A transmitter can be memorised without accessing the receiver. The user needs to have a transmitter memorised previously, after which the procedure is as described below. The remote

copy procedure must be carried out in the area served by the receiver.

PHASE	DESCRIPTION	EXAMPLE
1	Press and hold the button of the new radio control that you wish to store for at least 5 seconds	
2	Press and hold the button of the old radio control to be copied for at least 3 seconds (if the previous phase 1 was successful, the automation system will not move)	
3	Press and hold the button of the new remote control that you wish to store for at least 3 seconds	
4	Press and hold the button of the old remote control to be copied for at least 3 seconds to confirm and exit the programming phase	
Note	After 10 seconds of inactivity, the receiver automatically exits the programming phase	

## 4.12 - Learning opening and closing values

If you have a KUBE PRO wireless module, connect it to the control unit (FIG. 49, 50) and follow the instructions on the screen.  
If you have a DYL cable module, connect it to the control unit and follow the instructions on the screen.

### ⚠ ATTENTION !

If you had previously connected the KUBE PRO module, KUBE or the DYL programmer, power the device off for a few seconds to be able to use the manual procedure.

The photocell contact must be connected to the COM and PH terminals. To bypass the photocell, move the left-hand dip switch upwards. After having activated the dip switch, the LEDs L1 and L2 start to flash at a fast rate.

### ⚠ ATTENTION !

CONFIRM INPUT PH DEACTIVATION BY PRESSING THE MENU

PHASE	DESCRIPTION
1	Program a remote control if you do not have a remote control already stored or work the SBS button of the control unit
2	If the slider has never been moved by hand, the door, with the slider attached to the rail, must be in its partial opening position
3	Press the SBS button of a stored remote control or the SBS button on the control unit or an external button connected to the SBS input of the control unit

### AND RADIO BUTTONS SIMULTANEOUSLY AND HOLDING THEM DOWN UNTIL THE LEDs L1 AND L2 STOP FLASHING.

The inputs of the sensitive EDGE must be connected to the EDGE and EDGE terminals. To bypass the sensitive edge, move the right-hand dip switch upwards. After having activated the dip switch, the LEDs L1 and L2 start to flash at a fast rate.

### ⚠ ATTENTION !

CONFIRM INPUT EDGE DEACTIVATION BY PRESSING THE MENU AND RADIO BUTTONS SIMULTANEOUSLY AND HOLDING THEM DOWN UNTIL THE LEDs L1 AND L2 STOP FLASHING.

Note: Led intensity will decrease during movement of the door

Otherwise proceed as described below:

	The door must perform a slow-speed opening
4	<p><b>⚠ ATTENTION !</b></p> <p><b>If the door closes, press the button again to stop it then press it again to reverse the direction. This procedure can only be successful if the first operation is an opening stroke and it ends with the slider impacting the mechanical stop previously positioned</b></p>
5	The door reaches full opening position as the slider reaches its mechanical stop, stops for a second and then restarts in the closing direction until the operation is complete
6	The values are stored
7	Perform AT LEAST one second full opening operation and one second full closing operation from the limit stop point without breaks, to allow the control unit to store the motor stress along the travel
8	If the automation system fails to complete the operation, check that there are no mechanical jams along the travel, the balancing of the door and possibly change and reduce the obstacle sensitivity parameter
9	<p>To reset opening and closing values:</p> <p>press and hold the MENU button until the LED L1 lights up and then goes off. Release the MENU button. LED L1 emits long flashes. Press the MENU button again upon the:</p> <p>5th flash for the HALO 800 motor 6th flash for the HALO 1200 motor</p> <p>If the procedure is successful, LED L1 will emit a long flash, otherwise it will flash repeatedly at a fast rate</p> <p>Repeat the procedure from point 4 above</p>

#### 4.13 - Changing a control unit parameter

If you have a KUBE PRO wireless module, connect it to the control unit (FIG. 49, 50) and follow the instructions on the screen. follow the instructions on the screen.  
If you have a DYL cable module, connect it to the control unit and Otherwise proceed as described below:

##### PHASE DESCRIPTION

1	Press the MENU button a number of times corresponding to the parameter to be changed (TAB. 3 - P. 51)
2	LED L1 emits quick flashes followed by a pause corresponding to the parameter to be changed
3	Press and hold down MENU for more than 3 seconds
4	The LED L1 remains off
5	Release the MENU key
6	The LED L1 will start emitting long flashes, the number of flashes matches the maximum settable parameter value. At the end of the last flash the procedure ends without any parameter change
7	Briefly press the MENU button upon the flash corresponding to the desired parameter value
8	If the procedure is successful, LED L1 will emit a long flash, otherwise it will flash repeatedly at a fast rate

#### 4.14 - Control unit parameter resetting

##### PHASE DESCRIPTION

1	Press and hold the MENU button until the LED L1 lights up and then goes off
2	Release the MENU key
3	LED L1 will start emitting long flashes
4	Press the MENU button again upon the 3rd flash
5	If the procedure is successful, LED L1 will emit a long flash, otherwise it will flash repeatedly at a fast rate

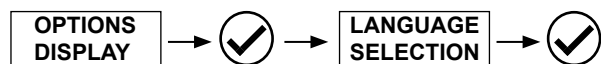
#### 4.15 - Hole for access control mechanism

Close the garage door (controlled by the motor); using a pencil, mark the position of the slider on the opposite side with respect to the door. Release the slider, then drill a 10 mm hole in the centre of the rail where marked (FIG. 51).

Check the efficient operation of the mechanism by closing the door manually, resetting the slider and trying to open the garage door manually.

#### 4.16 - Using the display programmer

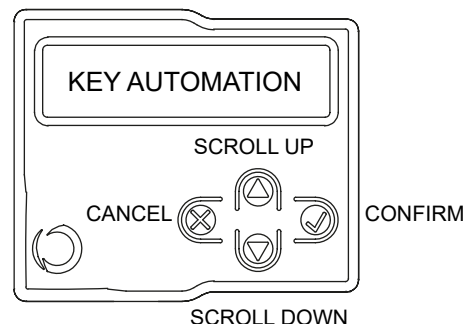
To customise the programmer's language, proceed as follows:



**N.B.:** When the display is turned on for the first time, the user will be prompted to select a language. Press ▲ or ▼ to select the desired language and then confirm with V.

If no language is selected (press the X key), the control unit will use the default language (ENGLISH) until the next power-on.

In normal mode, i.e. when the system is powered on normally and the display programmer is connected, press X until the wording "Key Automation" is displayed. In this way, you will be able to view the following status messages:



EVENT	DESCRIPTION	FLASHING INDICATION AND CONTROL UNIT CONTROL LEDS
opening	Door opening	
ventilation opening	Door opening for ventilation	
closing	Door closing	
automatic closing	Open door with timed closing active	
stop in closing	Door stopped in closing phase	
stop in opening	Door stopped in opening phase	
open	Door fully open without automatic closing	
open in ventilation	Door open in ventilation without automatic closing	
closed	Door fully closed	
programming	During the programming phase	2 fast flashes + pause + 1 flash
obstacle	Detected motor obstacle	4 fast flashes + pause 3 times
photo!	Photocell operation	2 fast flashes + pause 3 times
sensitive edge!	Sensitive edge operation	5 fast flashes + pause 3 times
partial opening	Partial opening in progress	
partial automatic closing	Partial door opening with active timed closing	
ventilation automatic closing	Open door in ventilation with active timed closing	
FLASH/LED error	FLASH and LED output overload	6 fast flashes + pause 3 times
phototest error	Phototest error detected	3 fast flashes + pause 3 times
limit switch error!	Limit switch/mechanical stop error detected	8 fast flashes + pause 3 times
memory error	Memory error detected	10 fast flashes + pause 3 times

#### 4.17 - KUBE PRO / KUBE wireless module connection

**Before carrying out any operation, power off the equipment.**

Remove the plastic protection cover of the KUBE module connector. Remove the plastic shells (FIG. 49) and insert the card in its special input slot (FIG. 50).

#### ⚠ ATTENTION !

Once removed from its container, handle the KUBE module with extreme care.

#### ⚠ ATTENTION !

Carefully check the position of the KUBE module on the control unit connector (FIG. 50).

With the KUBE PRO and DYL programmers it is possible to change, in addition to the parameters (TAB. 3), the following parameters:

opening speed\* - slowing speed in opening\* - closing speed\* - slowing speed in closing\* - slowing extent in opening\* - slowing extent in closing\* - phototest - sensitive edge test - partial opening extent - garage ventilation function extent - partial automatic closing time - ventilation automatic closing time - flashing operation mode - pre-flashing time - light intensity at end of movement - integrated

courtesy light operation - operation after power failure - flashing activation for maintenance - default - input lock with password - receiver lock with password - stop contact.to change follow the instructions on the screen.

\* After adjusting the parameter it is mandatory to control at least two complete operations to allow the control unit to store the motor stress throughout the stroke

#### ⚠ ATTENTION !

## 5 - TESTING AND COMMISSIONING THE AUTOMATION SYSTEM

The system must be tested by a qualified technician, who must perform the tests required by the relevant standards in relation to the risks present, to check that the installation complies with

the relevant regulatory requirements, especially the EN12453 standard which specifies the test methods for gate and door automation systems.

### 5.1 - Testing

All system components must be tested following the procedures described in their respective operator's manuals

ensure that the recommendations in Chapter 1 - Safety Warnings - have been complied with

check that the gate or door is able to move freely once the automation system has been released and is well balanced, meaning that it will remain stationary when released in any position;

check that all connected devices (photocells, sensitive edges, emergency buttons, etc.) are operating correctly by performing gate or door opening, closing and stop tests using the connected control devices (transmitters, buttons or switches);

perform the impact measurements as required by the EN12453 standard, adjusting the control unit's speed, motor force and deceleration functions if the measurements do not give the required results, until the correct setting is obtained.

### 5.2 - Commissioning

Once all (and not just some) of the system devices have passed the testing procedure, the system can be commissioned;

the system's technical dossier must be produced and kept for 10 years. It must contain the electrical wiring diagram, a drawing or photograph of the system, the analysis of the risks and the solutions adopted to deal with them, the manufacturer's declaration of conformity for all connected devices, the operator's manual for every device and the system maintenance plan:

fix a dataplate with the details of the automation, the name of the person who commissioned it, the serial number and year of construction and the CE marking on the gate or door:

also fit a plate specifying the procedure for releasing the system by hand:

draw up the declaration of conformity, the instructions and precautions for use for the end user and the system maintenance plan and consign them to the end user;

ensure that the user has fully understood how to operate the system in automatic, manual and emergency modes;

the end user must also be informed in writing about any risks and hazards still present;

#### **WARNING!**

**After detecting an obstacle, the gate or door stops during its opening travel and automatic closure is disabled; to restart operation, the user must press the control button or use the transmitter.**

# INDICE

<b>1</b>	<b>Avvertenze per la sicurezza</b>	pag. 15
<b>2</b>	<b>Introduzione al prodotto</b>	pag. 17
2.1	Descrizione del prodotto	pag. 17
2.2	Composizione	pag. 17
2.3	Modelli e caratteristiche tecniche	pag. 17
2.4	Specifiche tecniche	pag. 18
2.5	Elenco cavi necessari	pag. 18
<b>3</b>	<b>Verifiche preliminari</b>	pag. 19
<b>4</b>	<b>Installazione del prodotto</b>	pag. 19
4.1	Assemblaggio ed installazione Halo con guida LED	pag. 19
4.2	Assemblaggio della guida in 3 parti	pag. 20
4.3	Assemblaggio della guida unica	pag. 20
4.4	Collegamento del corpo motore alle guide in acciaio	pag. 20
4.5	Installazione con corpo motore su albero portamolle o su architrave	pag. 20
4.6	Installazione classica	pag. 20
4.7	Apertura manuale della porta	pag. 20
4.8	Fissaggio del fincorsa di apertura della guida led	pag. 20
4.9	Fissaggio del fincorsa di apertura della guida in acciaio	pag. 20
4.10	Collegamenti elettrici	pag. 20
4.11	Programmazione dei radiocomandi	pag. 21
4.12	Apprendimento delle quote di apertura e chiusura	pag. 22
4.13	Modifica di un parametro della centrale	pag. 23
4.14	Reset della centrale	pag. 23
4.15	Foro per meccanismo antintrusione	pag. 23
4.16	Utilizzo del programmatore display	pag. 24
4.17	Collegamento modulo wireless KUBE PRO / KUBE	pag. 24
<b>5</b>	<b>Collaudo e messa in servizio</b>	pag. 25
5.1	Collaudo	pag. 25
5.2	Messa in servizio	pag. 25
<b>6</b>	<b>Dichiarazione CE di conformità</b>	pag. 95

## 1 - AVVERTENZE PER LA SICUREZZA

### **⚠ ATTENZIONE !**

**ISTRUZIONI ORIGINALI – importanti istruzioni di sicurezza. Seguire tutte le istruzioni perché una scorretta installazione può portare a lesioni gravi! Conservare queste istruzioni.**

Leggere attentamente le istruzioni prima di eseguire l'installazione.

**La progettazione e la fabbricazione dei dispositivi che compongono il prodotto e le informazioni contenute nel presente manuale rispettano le normative vigenti sulla sicurezza. Ciò nonostante un'installazione e una programmazione errata possono causare gravi ferite alle persone che eseguono il lavoro e a quelle che useranno l'impianto. Per questo motivo, durante l'installazione, è importante seguire attentamente tutte le istruzioni riportate in questo manuale.**

Non procedere con l'installazione se si hanno dubbi di qualunque natura e richiedere eventuali chiarimenti al Servizio Assistenza Key Automation.

**Per la legislazione Europea la realizzazione di una porta automatica o un cancello automatico deve rispettare le norme previste dalla Direttiva 2006/42/CE (Direttiva Macchine) e in particolare, le norme EN 12453; EN 12635 e EN 13241-1, che consentono di dichiarare la conformità dell'automazione.**

In considerazione di ciò, il collegamento definitivo dell'automatismo alla rete elettrica, il collaudo dell'impianto, la sua messa in servizio e la manutenzione periodica devono essere eseguiti da personale qualificato ed esperto, rispettando le istruzioni riportate nel riquadro "Collaudo e messa in servizio dell'automazione".

Inoltre, egli dovrà farsi carico di stabilire anche le prove previste in funzione dei rischi presenti e dovrà verificare il rispetto di quanto previsto da leggi, normative e regolamenti: in particolare, il rispetto di tutti i requisiti della norma EN 12453 che stabilisce i metodi di prova per la verifica degli automatismi per porte e cancelli.

### **⚠ ATTENZIONE !**

**Prima di iniziare l'installazione, effettuare le seguenti analisi e verifiche:**

verificare che i singoli dispositivi destinati all'automazione siano adatti all'impianto da realizzare. Al riguardo, controllare con particolare attenzione i dati riportati nel capitolo "Caratteristiche tecniche". Non effettuare l'installazione se anche uno solo di

questi dispositivi non è adatto all'uso;

verificare se i dispositivi acquistati sono sufficienti a garantire la sicurezza dell'impianto e la sua funzionalità;

eseguire l'analisi dei rischi che deve comprendere anche l'elenco dei requisiti essenziali di sicurezza riportati nell'Allegato I della Direttiva Macchine, indicando le soluzioni adottate. L'analisi dei rischi è uno dei documenti che costituiscono il fascicolo tecnico dell'automazione. Questo dev'essere compilato da un installatore professionista.

**Considerando le situazioni di rischio che possono verificarsi durante le fasi di installazione e di uso del prodotto è necessario installare l'automazione osservando le seguenti avvertenze:**

non eseguire modifiche su nessuna parte dell'automatismo se non quelle previste nel presente manuale. Operazioni di questo tipo possono solo causare malfunzionamenti. Il costruttore declina ogni responsabilità per danni derivanti da prodotti modificati arbitrariamente;

evitare che le parti dei componenti dell'automazione possano venire immerse in acqua o in altre sostanze liquide. Durante l'installazione evitare che i liquidi possano penetrare all'interno dei dispositivi presenti;

se il cavo di alimentazione risulta danneggiato esso deve essere sostituito dal costruttore o dal suo servizio di assistenza tecnica o comunque da una persona con qualifica simile in modo da prevenire ogni rischio;

se sostanze liquide penetrano all'interno delle parti dei componenti dell'automazione, scollegare immediatamente l'alimentazione elettrica e rivolgersi al Servizio Assistenza Key Automation. L'utilizzo dell'automazione in tali condizioni può causare situazioni di pericolo;

non mettere i vari componenti dell'automazione vicino a fonti di calore né esporli a fiamme libere. Tali azioni possono danneggiarli ed essere causa di malfunzionamenti, incendio o situazioni di pericolo;

### **⚠ ATTENZIONE !**

**L'unità deve essere scollegata dalla fonte di alimentazione durante la pulizia, la manutenzione e la sostituzione di componenti. Se il dispositivo di sconnessione non è a vista, apporre un cartello con la seguente dicitura: "MANUTENZIONE IN CORSO":**

tutti i dispositivi devono essere collegati ad una linea di alimentazione elettrica dotata di messa a terra di sicurezza;

il prodotto non può essere considerato un efficace sistema di protezione contro l'intrusione. Se desiderate proteggervi efficacemente, è necessario integrare l'automazione con altri dispositivi;

il prodotto può essere utilizzato esclusivamente dopo che è stata effettuata la "messa in servizio" dell'automazione, come previsto nel paragrafo "Collaudo e messa in servizio dell'automazione";

prevedere nella rete di alimentazione dell'impianto un dispositivo di disconnessione con una distanza di apertura dei contatti che consenta la disconnessione completa nelle condizioni dettate dalla categoria di sovratensione III;

per la connessione di tubi rigidi e flessibili o passacavi utilizzare raccordi conformi al grado di protezione IP55 o superiore;

l'impianto elettrico a monte dell'automazione deve rispondere alle vigenti normative ed essere eseguito a regola d'arte;

l'apparecchio può essere utilizzato da bambini di età non inferiore a 8 anni e da persone con ridotte capacità fisiche, sensoriali o mentali, o prive di esperienza o della necessaria consapevolezza, purché sotto sorveglianza oppure dopo che le stesse abbiano ricevuto istruzioni relative all'uso sicuro dell'apparecchio e alla comprensione dei pericoli ad esso inerenti;

prima di avviare l'automazione assicurarsi che le persone non siano nelle immediate vicinanze;

prima di procedere a qualsiasi operazione di pulizia e manutenzione dell'automazione eseguire la disconnessione dalla rete elettrica;

fare particolare attenzione per evitare lo schiacciamento tra la parte guidata ed eventuali elementi fissi circostanti;

i bambini devono essere sorvegliati per sincerarsi che non giochino con l'apparecchio;

il meccanismo di azionamento non deve essere usato per porte aventi un raggio di apertura superiore a 50 mm, oppure aventi bordi o sporgenze su cui una persona potrebbe salire o ai quali aggrapparsi;

l'apparecchio non può essere utilizzato con una porta guidata che incorpora una porta pedonale;

nel caso di rilevamento ostacolo durante la manovra di chiusura, il portone inverte la corsa liberando l'ostacolo fino ad aprirsi completamente;

installare l'attuatore per il rilascio manuale a un'altezza massima di 1,8m. Se removibile, l'attuatore deve essere riposto nelle immediate vicinanze della porta;

installare qualsiasi comando fisso a un'altezza minima di 1,5m e in vista sulla porta, ma lontano da parti in movimento;

applicare in modo permanente e in un punto chiaramente visibile, o vicino a qualsiasi comando fisso, le targhette che mettono in guardia contro il rischio di intrappolamento (Fig. 1 Pag. 54);

dopo l'installazione, accertarsi che il meccanismo sia regolato correttamente e che l'azionamento inverta il senso di marcia, oppure che sia possibile rimuovere dal pavimento un oggetto di 50 mm di altezza, quando la porta entra a contatto con l'oggetto (per meccanismi di azionamento con sistema integrato di protezione anti-intrappolamento attivato dal contatto con il bordo inferiore della porta);

dopo l'installazione, verificare che nessun punto della porta sporga sul marciapiede o sulla via pubblica;

qualora il dispositivo sia dotato di pulsante separato di arresto, tale pulsante dovrà essere chiaramente identificabile.

### ATTENZIONE !

**Esaminare periodicamente l'impianto per verificare la presenza di sbilanciamenti e segni di usura meccanica, danneggiamento di cavi, molle, parti di sostegno.**

**Non utilizzare se è necessaria riparazione o regolazione.**

### ATTENZIONE !

**Componenti dell'imballo (cartone, plastica, ecc.), debitamente separati, devono essere conferiti negli appositi cassonetti. I componenti del dispositivo come schede elettroniche, parti metalliche, batterie, ecc., vanno separati e differenziati. Per le modalità di smaltimento devono essere applicate le regole vigenti nel luogo d'installazione. NON DISPERDERE NELL'AMBIENTE!**



**Key Automation si riserva il diritto di modificare le presenti istruzioni qualora necessario, queste e/o versione superiore si possono trovare sul sito [www.keyautomation.com](http://www.keyautomation.com)**



## 2 - INTRODUZIONE AL PRODOTTO

### 2.1 - Descrizione del prodotto

Halo è un motoriduttore elettromeccanico irreversibile adatto ad automatizzare portoni basculanti fino a 17m<sup>2</sup> e sezionali fino a 19m<sup>2</sup>. Halo è dotato di encoder, centrale di comando e ricevitore a 4 canali integrati. La guida è preassemblata a cinghia, in pezzo unico o 3 pezzi.

Una speciale guida in alluminio, verniciata a polveri e con led inte-

grati, permette l'illuminazione del garage sia durante la movimentazione che in qualsiasi altro momento.

La speciale conformazione appiattita del corpo motore permette inoltre di installarlo in posizione meno invasiva, in prossimità dell'architrave della porta e dell'albero portamolle.

### 2.2 - Composizione

Il sistema di automazione per porte da garage è contenuto in due scatole composte dalla confezione del sistema di automazione e quella della guida:

FIG. 1 contenuto imballo testa con elenco componenti

FIG. 2 guida led

FIG. 3 guida acciaio in pezzo unico

FIG. 4 guida acciaio in 3 pezzi

### 2.3 - Modelli e caratteristiche tecniche

CODICE	DESCRIZIONE	POTENZA
900HA8	Per porte sezionali fino a 11 m <sup>2</sup> (con guida da 3 m) o 12 m <sup>2</sup> (con guida da 4 m), motore 24 Vdc, forza 800 N, centrale con ricevente integrata ed alimentazione a 230Vac	800N
900HA12	Per porte sezionali fino a 16 m <sup>2</sup> (con guida da 3 m) o 19 m <sup>2</sup> (con guida da 4 m), motore 24 Vdc, forza 1200 N, centrale con ricevente integrata ed alimentazione a 230Vac	1200N
900HA12E	Per porte sezionali fino a 16 m <sup>2</sup> (con guida da 3 m) o 19 m <sup>2</sup> (con guida da 4 m), "Low Energy" con motore 24 Vdc, forza 1200 N, centrale con ricevente integrata ed alimentazione a 230Vac	1200N
900HA12L	Per porte sezionali fino a 16 m <sup>2</sup> (con guida da 3 m) o 19 m <sup>2</sup> (con guida da 4 m), motore 24 Vdc, forza 1200 N, centrale con ricevente integrata e alimentazione 120 Vac	1200N

#### COMPATIBILITÀ TESTA/GUIDA

	HA8	HA12 - HA12E - HA12L
900RAB31	X	X
900RAB3X1P	X	X
900RAB41	X	X
900RAB2X2P	X	X
900RAB61		X
900RAL31		X
900RAL41		X

#### DATI TECNICI

	900HA8	900HA12	900HA12E	900HA12L
Velocità	15 cm/s	15 cm/s	15 cm/s	15 cm/s
Forza	800 N	1200 N	1200 N	1200 N
Cicli/ora massimi <sup>(1)</sup>	20	20	20	20
Cicli consecutivi/ora max <sup>(1)</sup>	10	10	10	10
Potenza nominale	80w	100w	100w	100w
Potenza stand-by	5,5 W	5,5 W	<0,5 W	5,5 W
Alimentazione	230vac (±10%) 50hz	230vac (±10%) 50hz	230vac (±10%) 50hz	120vac (±10%) 50/60hz
Lampeggiante	3 W Max	3 W Max	3 W Max	3 W Max
Luce di cortesia su guida con led integrati	-	40 W Max	40 W Max	40 W Max
Uscita di alimentazione accessori	100mA (24 Vdc non regolati)			
Fusibile 1 linea alimentazione	1AT	1AT	1AT	2AT
N° max trasmettitori memorizzabili	90	90	90	90
ROLLING CODE				
Grado di protezione	IP 20	IP 20	IP 20	IP 20
Utilizzo in atmosfera particolarmente acida, salina o esplosiva	No	No	No	No
Dimensioni (L-P-H)	235-330-84 mm	235-330-84 mm	235-330-84 mm	235-330-84 mm
Peso	6,25 Kg	6,8 Kg	6,8 Kg	6,8 Kg
Temperatura di esercizio	-10°C/+45°C	-10°C/+45°C	-10°C/+45°C	-10°C/+45°C
Dimensione massima portone	12 m <sup>2</sup>	19 m <sup>2</sup>	19 m <sup>2</sup>	19 m <sup>2</sup>
Peso massimo portone	120 Kg	200 Kg	200 Kg	200 Kg

<sup>(1)</sup> per porta fino a 2m di altezza

## LIMITI D'IMPIEGO

Sezionale	Basculante debordante
-----------	-----------------------

## 900HA8 con guida da 3 m

S max=11m <sup>2</sup> H max = 2,6m	S max=10m <sup>2</sup> H max = 3m
--	--------------------------------------

## 900HA8 con guida da 4 m

S max=12m <sup>2</sup> H max = 3,6m	S max=11m <sup>2</sup> H max = 3,4m
--	--

## LIMITI D'IMPIEGO

Sezionale	Basculante debordante
-----------	-----------------------

## 900HA12, 900HA12E, 900HA12L con guida da 3 m

S max=16m <sup>2</sup> H max = 2,6m	S max=16m <sup>2</sup> H max = 3m
--	--------------------------------------

## 900HA12, 900HA12E, 900HA12L con guida da 4 m

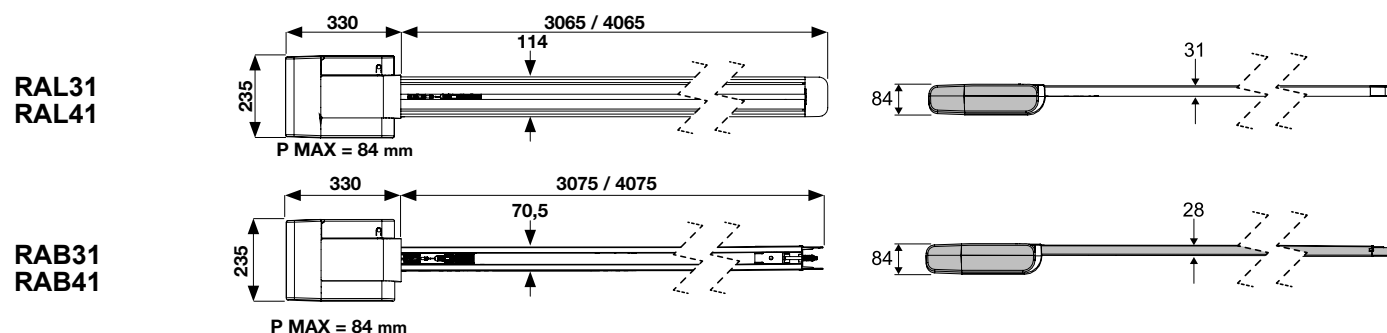
S max=19m <sup>2</sup> H max = 3,6m	S max=17m <sup>2</sup> H max = 3,4m
--	--

## 2.4 - Specifiche tecniche

## Modello e uso consigliato - Guida e dimensioni disponibili

MODELLO	MATERIALE	NOTE	TIPOLOGIA TRAZIONE	LUNGHEZZA TOTALE	CORSA DELLA GUIDA
900RAL31	Alluminio	Con illuminazione a led integrati	Cinghia	3090 mm (1x3m)	2660 mm
900RAL41	Alluminio	Con illuminazione a led integrati	Cinghia	4090 mm (1x4m)	3660 mm
900RAB3X1P	Acciaio		Cinghia	3100 mm (3x1.03m)	2670 mm
900RAB31	Acciaio		Cinghia	3100 mm (1x3.1m)	2670 mm
900RAB41	Acciaio		Cinghia	4100 mm (1x4.1m)	3670 mm
900RAB2X2P	Acciaio		Cinghia	4100 mm (2x2.05 m)	3670 mm

I dati indicati possono variare in base alla scorrevolezza e bilanciatura del portone e dal tipo di guida utilizzato.



## 2.5 - Elenco cavi necessari

Nell'impianto tipico i cavi necessari per i collegamenti dei vari dispositivi sono indicati nella tabella elenco cavi. I cavi utilizzati devono essere adatti al tipo di installazione, ad esempio si consiglia un cavo

tipo H03VV-F per posa in ambienti interni oppure H07RN-F se posato all'esterno.

TABELLA ELENCO CAVI		
COLLEGAMENTO	TIPO DI CAVO	LUNGHEZZA MASSIMA CONSENTITA
Linea elettrica di alimentazione	Schuko CEE 7/4	
Lampeggiante, luce cortesia	1 x cavo 3 x 0,5 mm <sup>2</sup>	20 m
Antenna	1 x cavo tipo RG58	20 m (consigliato < 5 m)
Fotocellule trasmettitore	1 x cavo 2 x 0,5 mm <sup>2</sup>	20 m
Fotocellule ricevitore	1 x cavo 4 x 0,5 mm <sup>2</sup>	20 m
Bordo sensibile radio (*)	1 x cavo 4 x 0,5 mm <sup>2</sup>	<2 m
Selettore a chiave	1 x cavo 2 x 0,5 mm <sup>2</sup>	20 m

Se in prossimità dell'apparecchiatura non fosse presente una adeguata presa, per la sua installazione rivolgersi a personale qualificato.

(\*): fare riferimento alle istruzioni del produttore

### 3 - VERIFICHE PRELIMINARI

Prima di installare il prodotto verificare e controllare i seguenti punti:

- Controllare che la porta sia adatta ad essere automatizzata
- Il peso e la dimensione della porta deve rientrare nei limiti d'impiego specificati per l'automazione su cui viene installato il prodotto
- Controllare la presenza e la solidità degli arresti meccanici di sicurezza della porta
- Verificare che la zona di fissaggio del prodotto non sia soggetta ad allagamenti
- Condizioni di elevata acidità o salinità o la vicinanza a fonti di calore potrebbero causare malfunzionamenti del prodotto
- In caso di condizioni climatiche estreme (per esempio in presenza di neve, ghiaccio, elevata escursione termica, temperature elevate) gli attriti potrebbero aumentare e quindi la forza necessaria per la movimentazione e lo spunto iniziale potrebbe essere superiori a

quella necessaria in condizioni normali

- Controllare che la movimentazione manuale della porta sia fluida e priva di zone di maggiore attrito o vi sia rischio di deragliamento della stessa
- Controllare che la porta sia in equilibrio e rimanga quindi ferma se lasciata in qualsiasi posizione
- Verificare che la linea elettrica a cui sarà collegato il prodotto sia provvista di opportuna messa a terra di sicurezza e protetta da un dispositivo magnetotermico e differenziale
- Prevedere nella rete di alimentazione dell'impianto un dispositivo di disconnessione con una distanza di apertura dei contatti che consenta la disconnessione completa nelle condizioni dettate dalla categoria di sovratensione III.
- Verificare che tutto il materiale utilizzato per l'installazione sia conforme alle normative vigenti

### 4 - INSTALLAZIONE DEL PRODOTTO

#### 4.1 - Assemblaggio ed installazione Halo con guida LED

Prima di iniziare l'assemblaggio verificare di avere a disposizione tutti gli attrezzi necessari (FIG. 5).

Posizionare la guida su una superficie piana, proteggendola da eventuali graffiature. Togliere il tappo in plastica ed estrarne il contenuto.

Far scorrere la puleggia di rinvio fino a far sporgere maggiormente la vite dall'estremità della guida, svitare il dado, inserire la molla di tensionamento e serrare il dado fino a tendere la cinghia (FIG. 6, 7). Avvicinare la testa alla guida e posarla su una superficie piana, proteggendo il coperchio inferiore da potenziali graffiature. Rimuovere il coperchio posteriore premendo sui due punti indicati (FIG. 8).

Togliere il coperchio bianco (FIG. 9), tagliare con un cutter i due rettangoli sul coperchio bianco e rimuoverli (FIG. 10).

Aprire lo sportello indicato tagliando la plastica con un cutter e sollevandola con delicatezza (FIG. 11), quindi inserire la scheda di regolazione dei led (contenuta nella confezione della guida) con i cavi già innestati (FIG. 2, 12). Richiudere con delicatezza il coperchio. Posizionare i cavi nelle apposite feritoie, inserendo il cavo senza connettore nel foro indicato (FIG. 12).

Inserire l'adattatore metallico all'interno del foro sulla guida aiutandosi con un martello di gomma (FIG. 13) quindi inserire la guida sulla testa, avendo cura di far combaciare i millerighe dell'adattatore con quelli del perno motore (FIG. 14) e collegare il connettore (FIG. 15).

#### **ATTENZIONE !**

**Verificare che i cavi siano all'interno delle sedi predisposte prima di posizionare e serrare la piastra superiore (FIG. 16) per evitare schiacciamenti degli stessi. Serrare le 4 viti a croce.**

Aprire lo sportello laterale, sfilare il cavo e collegare i fili alla centrale (FIG. 17). Richiudere lo sportello.

Appoggiare il motore sull'albero portamolle (FIG. 18), sollevare la guida portandola parallela al terreno, misurare la quota A (distanza tra guida e soffitto) e quindi tagliare la barra filettata della quota **A - 5 cm** (FIG. 19). La barra filettata e i componenti di fissaggio sono compresi nella guida a LED.

Assemblare i componenti della barra filettata (FIG. 20). Fissare la barra filettata al soffitto utilizzando adeguate viti o tasselli (non in dotazione) (FIG. 21). Assemblare ed inserire la parte inferiore della staffa nella guida facendola scorrere nelle feritoie (FIG. 22) quindi inserire il tappo in plastica nella guida.

Collegare la barra filettata al dado esagonale alto sulla guida, fa-

cendo girare la barra, fino a farla entrare per circa 1 cm e avere così la guida perfettamente orizzontale. Quindi serrare i dadi con la sequenza indicata (FIG. 23).

Inserire le viti lunghe ed avvitarle a mano, per permettere ai dadi di rientrare all'interno della sede (FIG. 24). Lasciare che le viti sporgano di pochi millimetri, in modo da poter inserire la staffa sull'asola predisposta. Utilizzare l'asola per posizionare la staffa sull'architrave e segnare le posizioni dei fori (FIG. 25).

Spostare il motore di lato e fissare la staffa utilizzando adeguate viti e tasselli (non in dotazione) (FIG. 26).

Riposizionare il motore sulla staffa.

#### **ATTENZIONE !**

**Avvitare ora le viti laterali lunghe solo fino a sentirle puntate (FIG. 38). Non serrare con forza per non rompere la sede dei dadi.**

Avvitare i contro-dadi (FIG. 27) e serrarli a fondo, tenendo ferme le viti con una chiave esagonale.

#### **ATTENZIONE !**

**Non girare le viti per evitare la rottura delle sedi dei dadi, girare esclusivamente i contro-dadi per serrare.**

Fissare le ganasce inferiori (FIG. 28).

Fissare la staffa alla parte superiore della porta, in posizione centrale (FIG. 29) ed esattamente al centro della staffa a C (FIG. 26). Prendere le misure indicate (TAB. 1A) e comporre il braccio di collegamento con le parti indicate (TAB. 2).

Sbloccare il carrello agendo sul cordino di sblocco (FIG. 30).

Tirare il ponticello del carrello, inserire il braccio curvo e relativo perno all'interno (FIG. 31, 32, 33, 34) e avvitare le 2 viti a testa svasata di chiusura del ponticello. Avvitare anche le 2 viti a testa svasata simmetricamente all'altra estremità del carrello.

Collegare il braccio alla porta (FIG. 35), quindi riarmare il carrello muovendo il cordino di sblocco per permettere alla leva di rientrare e bloccarlo e muovere la porta manualmente fino all'aggancio (FIG. 36).

Rimuovere gli adesivi trasparenti di protezione dei profili diffusori dei led e della guida (FIG. 37).

Dopo aver eseguito la programmazione (paragrafi successivi) fissare la vite di sicurezza (FIG. 52) ed inserire il coperchio bianco (FIG. 53).

#### 4.2 - Assemblaggio della guida in 3 parti

Assemblare la guida (FIG. 4) quindi tirare la cinghia (FIG. 7)

#### 4.3 - Assemblaggio della guida unica

Tirare la cinghia (FIG. 7)

#### 4.4 - Collegamento del corpo motore alle guide in acciaio

Seguire il paragrafo 4.1 (FIG. 13, 14, 16)

#### 4.5 - Installazione con corpo motore su architrave

##### ATTENZIONE !

Per quanto non indicato fare riferimento al paragrafo 4.1

Seguire le indicazioni del paragrafo 4.1 da FIG. 25, collegando però la staffa non sull'asola ma sul foro singolo (FIG. 38) e seguendo le indicazioni di TAB. 1B e TAB. 2.

Proseguire poi seguendo le indicazioni del paragrafo 4.1

#### 4.6 - Installazione classica

##### ATTENZIONE !

Per quanto non indicato fare riferimento al paragrafo 4.1

##### ATTENZIONE !

**NON SMONTARE IL COPERCHIO POSTERIORE!**

Fissare la staffa all'architrave (FIG. 26), quindi collegare la guida in acciaio utilizzando una delle due viti lunghe in dotazione (FIG. 39) e seguendo le indicazioni di TAB. 1C e TAB. 2.

Sollevarre la guida portandola parallela al terreno, misurare la quota A e quindi tagliare le due staffe a soffitto come indicato: quota **A + 3 cm** (FIG. 40). Inserire la piastra ad aggancio rapido, quindi collegarla alle staffe a soffitto (FIG. 41, 42).

Fissare le staffe al soffitto utilizzando adeguate viti e tasselli (non in dotazione).

Seguire il paragrafo 4.1 dalla FIG. 29 alla FIG. 35, inserendo il braccio sull'asola del carrello precedentemente aperta tramite un cutter (FIG. 43).

#### 4.7 - Apertura manuale della porta

In caso di interruzione di corrente e se non fosse presente la batteria tampone opzionale, per sbloccare l'automazione:

##### FASE DESCRIZIONE

1	Tirare il cordino portando la leva di sblocco in posizione verticale (FIG. 30)
2	Sollevarre o abbassare la porta manualmente
3	Per riarmare l'automazione muovere il cordino in modo da permettere alla leva di sblocco di rientrare completamente all'interno del carrello di trascinamento (FIG. 36)
4	Alzare o abbassare manualmente la porta fino ad agganciarla alla guida

#### 4.8 - Fissaggio del finecorsa di apertura della guida LED

Sbloccare il carrello, sollevare manualmente la porta fino a portarla nella posizione di massima apertura possibile indicata **H - 10 cm** (FIG. 44).

Segnare la posizione di fine del carrello con una matita (FIG. 45), quindi praticare un foro con un trapano e fissare con la vite (FIG. 46).

#### 4.9 - Fissaggio del finecorsa di apertura della guida in acciaio

Sbloccare il carrello, sollevare manualmente la porta fino a portarla nella posizione di massima apertura possibile indicata **H - 10 cm**

(FIG. 44).

Fissare saldamente il finecorsa (FIG. 47).

#### 4.10 - Collegamenti elettrici

##### ATTENZIONE !

**Prima di effettuare i collegamenti verificare che la centrale non sia alimentata**

Seguire i collegamenti (FIG. 48)

##### COLLEGAMENTI ELETTRICI

COM	Comune uscite FLASH, LED
FLASH	Uscita lampeggiante 24Vdc (non regolato), massimo 3W
LED	Uscita luce di cortesia 24Vdc (non regolato), massimo 20W
PH-POW	Uscita positivo alimentazione fotocellule, 24Vdc (non regolato) massimo 100mA
NEG	Uscita negativo alimentazione fotocellule
PH	Fotocellule (chiusura) contatto NC tra PH e COM
EDGE/EDGE	Ingresso bordo sensibile, contatto NC, resistivo 8k2 o resistivo doppio 8k2 (parallelo)

SBS	Comando PASSO PASSO contatto NA tra SBS e COM Comando Apre/Stop/Chiude/Stop o in base alla selezione software
STOP	STOP contatto NC tra STOP e COM. Il contatto può essere attivato in qualsiasi momento bloccando immediatamente l'automazione disabilitando qualsiasi funzione compresa la chiusura automatica
COM	Comune ingressi SBS, STOP
L1	Led ROSSO di segnalazione per la programmazione dei parametri della centrale
MENU	Tasto per la programmazione dei parametri della centrale
RADIO	Tasto per la programmazione dei parametri della radio integrata
L2	Led VERDE di segnalazione per la programmazione dei parametri della radio
KUBE/DYL	Connettore per DYL e KUBE
SBS	Tasto SBS (PASSO PASSO) per la movimentazione dell'automazione
DIP1/PH DIP2/EDGE	Dip switch per la disabilitazione delle sicurezze (PH, EDGE) vedi FIG. 48
SHIELD	Antenna - calza -
ANT	Antenna - segnale -

Il collegamento del lampeggiante a LED dovrà essere eseguito sui morsetti COM e FLASH.

Il collegamento della luce di cortesia dovrà essere eseguito sui morsetti COM e LED.

Il contatto passo passo SBS dovrà essere eseguito sui morsetti COM e SBS (contatto normalmente aperto NA).

Il contatto della fotocellula dovrà essere eseguito sui morsetti COM e PH. **Per escludere la fotocellula, spostare verso l'alto il dip switch sinistro. Dopo aver azionato il dip switch, i led L1 e L2 iniziano a lampeggiare velocemente.**

### ⚠ ATTENZIONE !

**CONFERMARE LA DISATTIVAZIONE DELL'INGRESSO PH PRE-**

**MENDO CONTEMPORANEAMENTE I PULSANTI MENU E RADIO MANTENENDOLI PREMUTI FINCHÉ IL LAMPEGGIO DEI LED L1 E L2 SI INTERROMPE.**

Gli ingressi del bordo sensibile EDGE dovranno essere eseguiti sui morsetti EDGE ed EDGE. **Per escludere il bordo sensibile, spostare verso l'alto il dip switch destro. Dopo aver azionato il dip switch, i led L1 e L2 iniziano a lampeggiare velocemente.**

### ⚠ ATTENZIONE !

**CONFERMARE LA DISATTIVAZIONE DELL'INGRESSO EDGE PREMENDO CONTEMPORANEAMENTE I PULSANTI MENU E RADIO MANTENENDOLI PREMUTI FINCHÉ IL LAMPEGGIO DEI LED L1 E L2 SI INTERROMPE.**

## 4.11 - Programmazione dei radiocomandi

Se si dispone del modulo wireless KUBE PRO collegarlo alla centrale (FIG. 49, 50) e seguire le istruzioni a video.

Se si dispone del modulo via cavo DYL collegarlo alla centrale e

seguire le istruzioni a video.

In caso contrario proseguire come sotto indicato:

### MEMORIZZAZIONE DI UN RADIOCOMANDO






### ⚠ ATTENZIONE !

**Attivando la fase di memorizzazione qualsiasi trasmettitore nel campo di ricezione può essere memorizzato. Per ridurre la portata**




**della ricevente scollegare temporaneamente l'antenna.**

FASE	DESCRIZIONE	ESEMPIO
1	Premere e rilasciare il tasto RADIO per un numero di volte uguale alla funzione che si vuole attivare: 1 volta per funzione SBS (PASSO PASSO o APRE - STOP - CHIUDE - STOP), 2 volte per funzione APERTURA PARZIALE, 3 volte per funzione SOLO APRE, 4 volte per funzione LUCE ON/OFF, 5 volte per funzione PREIMPOSTATA (tasto 1 = SBS, tasto 2 = APERTURA PARZIALE, tasto 3 = SOLO APRE, tasto 4 = LUCE ON/OFF) 6 volte per funzione TASTO A MURO (tasto 1 = CHIUDE/STOP, tasto 2 = APRE/STOP, tasto 3 = VENTILAZIONE, tasto 4 = LUCE ON/OFF)	
2	Il LED L2 effettua un numero di lampeggi corrispondente all'uscita selezionata intervallati da una pausa di 1 secondo	
3	Entro 10 secondi premere per almeno 2 secondi il tasto del radiocomando che si vuole memorizzare	
4	Se la memorizzazione è andata a buon fine il LED L2 emetterà un lampeggio lungo	
5	Per memorizzare un altro radiocomando sulla stessa uscita ripetere il punto 3	
Nota	Dopo 10 secondi di inattività la ricevente esce automaticamente dalla fase di programmazione	

### CANCELLAZIONE DI UN RADIOCOMANDO

FASE	DESCRIZIONE	ESEMPIO
1	Premere il tasto RADIO fino a quando si accende il LED L2 (circa 3 secondi)	
2	Entro 10 secondi premere un tasto del radiocomando che si vuole cancellare fino a quando il LED L2 sulla ricevente si spegne. Rilasciare il tasto del radiocomando	
3	Dopo circa 1 secondo dal rilascio del tasto il LED L2 sulla ricevente comincia a lampeggiare	
4	Confermare la cancellazione premendo il tasto RADIO	
5	Se la cancellazione è andata a buon fine il LED L2 emetterà 1 lampeggio lungo	
Nota	Dopo 10 secondi di inattività la ricevente esce automaticamente dalla fase di cancellazione	





### CANCELLAZIONE DI TUTTA LA MEMORIA DELLA RICEVENTE/RESET DELLA RICEVENTE

FASE	DESCRIZIONE	ESEMPIO
1	Premere e mantenere premuto il tasto RADIO fino a quando si accende il LED L2 (circa 3 secondi) e poi si spegne (circa 3 secondi). Rilasciare il tasto	
2	Dopo circa 1 secondo dal rilascio del tasto il LED L2 sulla ricevente inizia a lampeggiare	
3	Per la cancellazione di tutta la memoria premere il tasto RADIO in corrispondenza del terzo lampeggio	
4	Se la cancellazione/reset è andata a buon fine il LED L2 emetterà 1 lampeggio lungo	

### MEMORIZZAZIONE A DISTANZA DI UN RADIOCOMANDO CON RADIOCOMANDO GIÀ IN MEMORIA

È possibile memorizzare un trasmettitore senza accedere al ricevitore. È necessario disporre di un trasmettitore precedentemente memorizzato e seguire la procedura sottoindicata.

La procedura di copia a distanza deve essere eseguita nell'area servita della ricevente.

FASE	DESCRIZIONE	ESEMPIO
1	Premere per almeno 5 secondi il tasto del nuovo radiocomando che si vuole memorizzare	
2	Premere per almeno 3 secondi il tasto del vecchio radiocomando che si vuole copiare (se la precedente fase 1 è andata a buon fine l'automazione non si muove)	
3	Premere per almeno 3 secondi il tasto del nuovo radiocomando che si vuole memorizzare	
4	Premere per almeno 3 secondi il tasto del vecchio radiocomando che si vuole copiare per confermare ed uscire dalla fase di programmazione	
Nota	Dopo 10 secondi di inattività la ricevente esce automaticamente dalla fase di programmazione	

### 4.12 - Apprendimento delle quote di apertura e chiusura

Se si dispone del modulo wireless KUBE PRO collegarlo alla centrale (FIG. 49, 50) e seguire le istruzioni a video.

Se si dispone del modulo via cavo DYL collegarlo alla centrale e seguire le istruzioni a video.

#### ⚠ ATTENZIONE !

Se precedentemente è stato inserito il modulo KUBE PRO, KUBE o il programmatore DYL, disalimentare per qualche secondo l'apparecchiatura per poter utilizzare la procedura manuale.

Il contatto della fotocellula dovrà essere eseguito sui morsetti COM e PH. Per escludere la fotocellula, spostare verso l'alto il dip switch sinistro. Dopo aver azionato il dip switch, i led L1 e L2 iniziano a lampeggiare velocemente.

#### ⚠ ATTENZIONE !

CONFERMARE LA DISATTIVAZIONE DELL'INGRESSO PH PRE-

FASE	DESCRIZIONE
1	Eseguire la programmazione di un telecomando se non si dispone di un telecomando già memorizzato oppure operare sul tasto SBS della centrale
2	Se non è mai stato movimentato a mano il carrello la porta, con il carrello agganciato alla guida, si deve trovare in posizione di apertura parziale
3	Premere il tasto SBS di un telecomando memorizzato oppure il tasto SBS sulla centrale oppure un tasto esterno collegato all'ingresso SBS della centrale

**MENDO CONTEMPORANEAMENTE I PULSANTI MENU E RADIO MANTENENDOLI PREMUTI FINCHÉ IL LAMPEGGIO DEI LED L1 E L2 SI INTERROMPE.**

Gli ingressi del bordo sensibile EDGE dovranno essere eseguiti sui morsetti EDGE ed EDGE. Per escludere il bordo sensibile, spostare verso l'alto il dip switch destro. Dopo aver azionato il dip switch, i led L1 e L2 iniziano a lampeggiare velocemente.

#### ⚠ ATTENZIONE !

**CONFERMARE LA DISATTIVAZIONE DELL'INGRESSO EDGE PREMENDO CONTEMPORANEAMENTE I PULSANTI MENU E RADIO MANTENENDOLI PREMUTI FINCHÉ IL LAMPEGGIO DEI LED L1 E L2 SI INTERROMPE.**

**Nota:** durante il movimento della porta l'intensità della luce è attenuata

In caso contrario proseguire come sotto indicato:

	La porta deve eseguire un'apertura a velocità ridotta
4	<p><b>⚠ ATTENZIONE !</b></p> <p><b>Se la porta chiude premere nuovamente il tasto per fermarla e ripremerlo per invertire la direzione. La procedura va a buon fine solo se la prima manovra è un'apertura ed essa termina con il carrello che impatta sul fermo meccanico precedentemente posizionato</b></p>
5	La porta arriva nella posizione di apertura completa fino a che il carrello raggiunge il fermo meccanico, si ferma per un secondo e riprende in chiusura fino a completare la manovra
6	Le quote sono memorizzate
7	eseguire ALMENO una seconda manovra completa in apertura ed una seconda manovra completa in chiusura dal punto di fine-corsa senza interruzioni per permettere alla centrale di memorizzare gli sforzi del motore lungo la corsa
8	Se l'automazione non dovesse riuscire a completare la manovra verificare che non vi siano impuntamenti meccanici lungo la corsa, il bilanciamento della porta ed eventualmente modificare il parametro di sensibilità sull'ostacolo, riducendolo
9	<p>Per resettare le quote di apertura e chiusura:</p> <p>premere e mantenere premuto il tasto MENU fino a quando il led L1 si accende e successivamente si spegne. Rilasciare il tasto MENU. Il led L1 esegue dei lampeggi lunghi. Premere nuovamente il tasto MENU in corrispondenza del:</p> <p>5° lampeggio per motore HALO 800 6° lampeggio per motore HALO 1200</p> <p>Se la procedura è andata a buon fine il led L1 eseguirà un lampeggio lungo, in caso contrario eseguirà dei lampeggi veloci</p> <p>Ripetere la procedura dal punto 4 sopra descritto</p>

#### 4.13 - Modifica di un parametro della centrale

Se si dispone del modulo wireless KUBE PRO collegarlo alla centrale (FIG. 49, 50) e seguire le istruzioni a video.  
Se si dispone del modulo via cavo DYL collegarlo alla centrale e

seguire le istruzioni a video.  
In caso contrario proseguire come sotto indicato:

FASE	DESCRIZIONE
1	Premere il tasto MENU il numero di volte corrispondente al parametro da modificare (TAB. 3 - P. 51)
2	Il led L1 esegue dei lampeggi veloci seguiti da una pausa, corrispondenti al parametro che si desidera modificare
3	Premere e mantenere premuto MENU per più di 3 secondi
4	Il led L1 rimane spento
5	Rilasciare il tasto MENU
6	Il led L1 inizierà ad eseguire dei lampeggi lunghi, il numero di lampeggi corrisponde al massimo valore settabile dal parametro. Alla fine dell'ultimo lampeggio la procedura termina senza alcuna modifica del parametro
7	Premere brevemente il tasto MENU in corrispondenza del lampeggio corrispondente al valore del parametro desiderato
8	Se la procedura è andata a buon fine il led L1 eseguirà un lampeggio lungo, in caso contrario eseguirà dei lampeggi veloci

#### 4.14 - Reset parametri della centrale

FASE	DESCRIZIONE
1	Premere e tenere premuto il tasto MENU fino a quando il led L1 si accende e successivamente si spegne
2	Rilasciare il tasto MENU
3	Il led L1 inizierà ad eseguire dei lampeggi lunghi
4	Premere nuovamente il tasto MENU in corrispondenza del 3° lampeggio
5	Se la procedura è andata a buon fine il led L1 eseguirà un lampeggio lungo, in caso contrario eseguirà dei lampeggi veloci

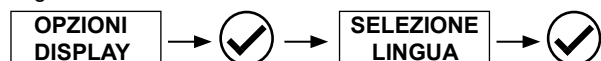
#### 4.15 - Foro per meccanismo antintrusione

Portare in chiusura il portone (comandato dal motore), segnare la posizione del carrello dalla parte opposta alla porta con una matita. Sbloccare il carrello, quindi praticare con il trapano un foro da 10 mm al centro della guida in corrispondenza del segno (FIG. 51).

Verificare il corretto funzionamento del meccanismo chiudendo il portone manualmente, riarmando il carrello e provando ad aprire il portone manualmente.

#### 4.16 - Utilizzo del programmatore display

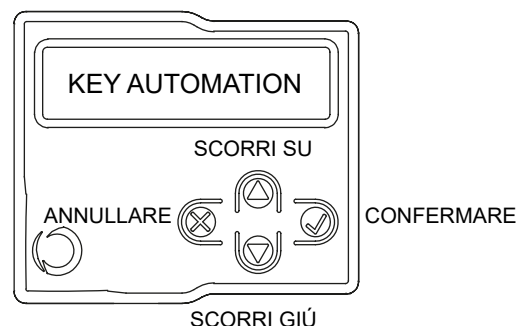
Per personalizzare la lingua del programmatore procedere come segue:



**N.B.:** Alla prima accensione del display verrà richiesta la selezione della lingua. Premere ▲ o ▼ per selezionare la lingua desiderata e successivamente confermare con V.

Se non verrà selezionata nessuna lingua (pressione tasto X) la centrale utilizzerà la lingua di default (INGLESE) fino alla successiva riaccensione.

In modalità normale, cioè quando normalmente si da alimentazione al sistema e il programmatore display è collegato premere X fino a quando compare la dicitura "Key Automation". In questo modo si potranno vedere i seguenti messaggi di stato:



EVENTO	DESCRIZIONE	INDICAZIONE LAMPEGGIANTE E LED COMANDI CENTRALE
apertura	Porta in apertura	
apertura areazione	Porta in apertura per areazione	
chiusura	Porta in chiusura	
chiusura automatica	Porta aperta con richiusura temporizzata attiva	
stop in chiusura	Porta fermata nella fase di chiusura	
stop in apertura	Porta fermata nella fase di apertura	
aperto	Porta completamente aperta senza richiusura automatica	
aperto in areazione	Porta aperta in areazione senza richiusura automatica	
chiuso	Porta completamente chiusa	
programmazione	Durante la fase di programmazione	2 lampeggi veloci + pausa + 1 lampeggio
ostacolo	Rilevato ostacolo motore	4 lampeggi veloci + pausa per 3 volte
foto!	Intervento fotocellula	2 lampeggi veloci + pausa per 3 volte
bordo sensibile!	Intervento bordo sensibile	5 lampeggi veloci + pausa per 3 volte
apertura parziale	Apertura parziale in corso	
chiusura automatica parziale	Porta in apertura parziale con richiusura temporizzata attiva	
chiusura automatica areazione	Porta in aperta in areazione con richiusura temporizzata attiva	
errore FLASH/LED	Sovraccarico uscita FLASH e LED	6 lampeggi veloci + pausa per 3 volte
errore fototest	Rilevato errore fototest	3 lampeggi veloci + pausa per 3 volte
errore finercosa!	Rilevato errore finercosa/battuta meccanica	8 lampeggi veloci + pausa per 3 volte
errore memoria	Rilevato errore memoria	10 lampeggi veloci + pausa per 3 volte

#### 4.17 - Collegamento modulo wireless KUBE PRO / KUBE

**Prima di effettuare qualsiasi operazione, disalimentare l'apparecchiatura.**

Rimuovere il coperchio plastico di protezione del connettore del modulo KUBE. Rimuovere i gusci plastici (FIG. 49) ed inserire la scheda nell'ingresso apposito (FIG. 50).

#### ⚠ ATTENZIONE !

**Una volta rimossa dal contenitore, maneggiare il modulo KUBE con estrema cura.**

#### ⚠ ATTENZIONE !

**Verificare accuratamente il posizionamento del modulo KUBE sul connettore della centrale (FIG. 50).**

Con i programmatori KUBE PRO e DYL, in aggiunta ai parametri (TAB. 3), è possibile anche modificare i seguenti parametri:

- velocità in apertura \*
- velocità di rallentamento in apertura \*
- velocità in chiusura \*
- velocità di rallentamento in chiusura \*
- ampiezza rallentamento in apertura \*
- contatto di stop

- ampiezza rallentamento in chiusura \*
- fototest
- test bordo sensibile
- ampiezza apertura parziale
- ampiezza funzione areazione del garage
- tempo chiusura automatica parziale
- tempo di chiusura automatica areazione
- modalità funzionamento lampeggiante
- tempo di prelampeggio
- intensità cortesia a fine manovra
- funzionamento luce di cortesia integrata
- funzionamento dopo black out di corrente
- attivazione lampeggio per manutenzione default
- blocco ingressi con password
- blocco ricevente con password

per la modifica seguire le indicazioni a video.

#### ⚠ ATTENZIONE !

**\* Dopo la modifica del parametro è obbligatorio eseguire almeno due manovre complete per permettere alla centrale di memorizzare gli sforzi del motore lungo la corsa**



## 5 - COLLAUDO E MESSA IN SERVIZIO DELL'AUTOMAZIONE

Il collaudo dell'impianto va eseguito da un tecnico qualificato che deve effettuare le prove richieste dalla normativa di riferimento in funzione dei rischi presenti, verificando il rispetto di quanto previsto

dalle normative, in particolare la norma EN12453 che indica i metodi di prova per gli automatismi per porte e cancelli.

### 5.1 - Collaudo

Tutti i componenti dell'impianto devono essere collaudati seguendo le procedure indicate nei rispettivi manuali di istruzioni;

controllare che siano rispettate le indicazioni del Capitolo 1 – Avvertenze per la sicurezza;

controllare che la porta si possa muovere liberamente una volta sbloccata l'automazione e che sia in equilibrio e rimanga quindi ferma se lasciata in qualsiasi posizione;

controllare il corretto funzionamento di tutti i dispositivi collegati (fotocellule, bordi sensibili, pulsanti di emergenza, altro) effettuando delle prove di apertura, chiusura e arresto della porta tramite i dispositivi di comando collegati (trasmettitori, pulsanti, selettori);

effettuare le misurazioni della forza d'impatto come previsto dalla normativa EN12453 regolando le funzioni di velocità, forza motore e rallentamenti della centrale nel caso in cui le misurazioni non diano i risultati desiderati fino a trovare il giusto settaggio.

### 5.2 - Messa in servizio

A seguito del positivo collaudo di tutti (e non solo di alcuni) i dispositivi dell'impianto si può procedere con la messa in servizio;

è necessario realizzare e conservare per 10 anni il fascicolo tecnico dell'impianto che dovrà contenere lo schema elettrico, il disegno o foto dell'impianto, l'analisi dei rischi e le soluzioni adottate, la dichiarazione di conformità del fabbricante di tutti i dispositivi collegati, il manuale istruzioni di ogni dispositivo e il piano di manutenzione dell'impianto;

fissare sulla porta una targa indicante i dati dell'automazione, il nome del responsabile della messa in servizio, il numero di matricola e l'anno di costruzione, il marchio CE;

fissare una targa che indichi le operazioni necessarie per sbloccare manualmente l'impianto;

realizzare e consegnare all'utilizzatore finale la dichiarazione di conformità, le istruzioni e avvertenze d'uso per l'utilizzatore finale e il piano di manutenzione dell'impianto;

accertarsi che l'utilizzatore abbia compreso il corretto funzionamento automatico, manuale e di emergenza dell'automazione;

informare anche in forma scritta l'utilizzatore finale sui pericoli e rischi ancora presenti;

#### **ATTENZIONE !**

**Dopo la rilevazione di un ostacolo, la porta si ferma in apertura e viene esclusa la chiusura automatica; per riprendere il movimento bisogna premere il tasto di comando o usare il trasmettitore.**

## TABLE DES MATIÈRES

<b>1</b>	<b>Avertissements en vue de la sécurité</b>	p. 27
<b>2</b>	<b>Présentation du produit</b>	p. 29
2.1	Description du produit	p. 29
2.2	Composition	p. 29
2.3	Modèles et caractéristiques techniques	p. 29
2.4	Spécifications techniques	p. 30
2.5	Liste des câbles nécessaires	p. 30
<b>3</b>	<b>Contrôles préliminaires</b>	p. 31
<b>4</b>	<b>Installation du produit</b>	p. 31
4.1	Montage et installation Halo avec rail Led	p. 31
4.2	Montage du rail en 3 parties	p. 32
4.3	Montage du rail unique	p. 32
4.4	Raccordement du corps du moteur aux rails en acier	p. 32
4.5	Installation avec corps du moteur sur l'arbre porte-ressort ou architrave	p. 32
4.6	Installation classique	p. 32
4.7	Ouverture manuelle de la porte	p. 32
4.8	Fixation du fin de course d'ouverture du rail Led	p. 32
4.9	Fixation du fin de course d'ouverture du rail en acier	p. 32
4.10	Branchements électriques	p. 32
4.11	Programmation des radiocommandes	p. 33
4.12	Apprentissage des valeurs d'ouverture et fermeture	p. 34
4.13	Modification d'un paramètre de l'unité centrale	p. 35
4.14	Réinitialisation de l'unité centrale	p. 35
4.15	Orifice pour mécanisme anti-intrusion	p. 35
4.16	Utilisation de l'écran du programmeur	p. 36
4.17	Connexion module sans fil KUBE PRO / KUBE	p. 36
<b>5</b>	<b>Essai et mise en service</b>	p. 37
5.1	Essai	p. 37
5.2	Mise en service	p. 37
<b>6</b>	<b>Déclaration CE de conformité</b>	p. 95

## 1 - AVERTISSEMENTS EN VUE DE LA SÉCURITÉ

### ATTENTION !

**INSTRUCTIONS ORIGINALES – importantes consignes de sécurité. Il est important, pour la sécurité des personnes, de respecter les consignes de sécurité suivantes. Conserver ces instructions.**

Lire attentivement les instructions avant d'effectuer l'installation.

**La conception et la fabrication des dispositifs qui composent le produit et les informations contenues dans ce guide respectent les normes de sécurité en vigueur. Néanmoins, une installation et une programmation erronées peuvent causer de graves blessures aux personnes qui exécutent le travail et à celles qui utiliseront l'installation. C'est pourquoi il est important, durant l'installation, de suivre scrupuleusement toutes les instructions fournies dans ce guide.**

Ne pas effectuer l'installation en cas de doute, de quelque nature que ce soit, et, au besoin, demander des éclaircissements au service après-vente de Key Automation.

**Pour la législation européenne, la réalisation d'une porte ou d'un portail automatique doit respecter les normes prévues par la directive 2006/42/CE (directive Machines) et, en particulier, les normes EN 12453, EN 12635 et EN 13241-1, qui permettent de déclarer la conformité de l'automatisme.**

C'est pourquoi le branchement définitif de l'automatisme au réseau électrique, la réception de l'installation, sa mise en service et la maintenance périodique doivent être confiés à du personnel qualifié et spécialisé qui interviendra selon les instructions fournies dans la section « Réception et mise en service de l'automatisme ».

De plus, il devra se charger de procéder aux essais prévus en fonction des risques présents et vérifier le respect de toutes les prescriptions des lois, normes et règlements : en particulier, le respect de toutes les exigences de la norme EN 12453 qui définit les méthodes d'essai pour la vérification des automatismes pour portes et portails.

### ATTENTION !

**Avant de commencer l'installation, effectuer les analyses et vérifications suivantes :**

vérifier que chacun des dispositifs destinés à l'automatisme est adapté à l'installation à réaliser. À ce sujet, contrôler tout particulièrement les

données indiquées dans le chapitre « Caractéristiques techniques ». Ne pas effectuer l'installation si ne serait-ce qu'un seul de ces dispositifs n'est pas adapté à ce type d'utilisation;

vérifier que les dispositifs achetés sont suffisants pour garantir la sécurité de l'installation et son bon fonctionnement;

effectuer l'analyse des risques, qui doit aussi comprendre la liste des exigences essentielles de sécurité contenues dans l'annexe I de la directive Machines, en indiquant les solutions adoptées. L'analyse des risques est l'un des documents qui constituent le dossier technique de l'automatisme. Ce dernier doit être rédigé par un installateur professionnel.

**Compte tenu des situations de risque qui peuvent se présenter durant les phases d'installation et d'utilisation du produit, il est nécessaire d'installer l'automatisme en respectant les consignes suivantes :**

ne pas apporter de modifications à une quelconque partie de l'automatisme, en dehors de celles qui sont prévues dans ce guide. Ce type d'interventions ne peut que causer des problèmes de fonctionnement. Le constructeur décline toute responsabilité en cas de dommages dérivant de produits modifiés de manière arbitraire ;

il faut faire en sorte que les pièces des composants de l'automatisme ne soient jamais plongées dans l'eau ni dans d'autres substances liquides. Durant l'installation, éviter que des liquides puissent pénétrer à l'intérieur des dispositifs présents;

si le câble d'alimentation est détérioré, il doit être remplacé par le constructeur, par son service après-vente ou, dans tous les cas, par une personne ayant une qualification similaire, de manière à prévenir tout risque éventuel;

si des substances liquides pénètrent à l'intérieur des pièces des composants de l'automatisme, débrancher immédiatement l'alimentation électrique et s'adresser au service après-vente Key Automation. L'utilisation de l'automatisme dans ces conditions peut être source de danger;

ne pas mettre les différents composants de l'automatisme à proximité de sources de chaleur et ne pas les exposer à des flammes libres. Ces actions peuvent les endommager et causer des problèmes de fonctionnement, un incendie ou des dangers;

**⚠ ATTENTION !**

**L'unité doit être débranchée de la source d'alimentation durant le nettoyage, la maintenance et le remplacement de composants. Si le dispositif de mise hors tension ne peut pas être surveillé, il faut poser dessus un écriteau indiquant : « MAINTENANCE EN COURS » :**

tous les dispositifs doivent être raccordés à une ligne d'alimentation électrique avec mise à la terre de sécurité ;

le produit ne peut pas être considéré comme un système de protection efficace contre l'intrusion. Si vous souhaitez vous protéger efficacement, il faut intégrer d'autres dispositifs à l'automatisme ;

le produit ne peut être utilisé qu'après les opérations de « mise en service » de l'automatisme, comme cela est prévu dans le paragraphe « Réception et mise en service de l'automatisme » ;

prévoir dans le réseau d'alimentation de l'installation un dispositif de disjonction avec une distance d'ouverture des contacts qui garantisse la disjonction complète dans les conditions prévues par la catégorie de surtension III ;

pour le raccordement de tubes rigides et flexibles ou de passe-câbles, utiliser des raccords conformes à l'indice de protection IP55 ou supérieur ;

l'installation électrique en amont de l'automatisme doit être conforme aux normes en vigueur et être réalisée dans les règles de l'art ;

Les enfants de moins de 8 ans, les personnes souffrant d'un handicap physique, sensoriel ou mental ou les personnes sans expérience ou sans la connaissance nécessaire, ne peuvent utiliser l'appareil que sous surveillance ou après avoir reçu les instructions nécessaires pour utiliser l'appareil en toute sécurité et avoir bien compris les dangers qui peuvent en découler ;

si le câble d'alimentation est détérioré, il doit être remplacé par le constructeur, par son service après-vente ou, dans tous les cas, par une personne ayant une qualification similaire, de manière à prévenir tout risque éventuel ;

avant d'actionner l'automatisme, s'assurer que personne ne se trouve à proximité ;

avant d'effectuer une quelconque opération de nettoyage et de maintenance de l'automatisme, le débrancher du réseau électrique ;

les enfants doivent être surveillés afin de s'assurer qu'ils ne jouent pas avec l'appareil ;

ne pas utiliser la système d'entraînement en cas d'ouverture de porte dépassant 50 mm de diamètre ou de bords ou parties en saillie auquel-

les une personne pourrait s'agripper ou utiliser comme support ;

l'appareil ne peut pas être utilisé avec une porte automatisée, avec portillon piéton intégré

en cas de détection d'un obstacle durant la fermeture, le portail inverse sa course et libère ainsi l'obstacle jusqu'à ouverture complète ;

installer l'actionneur pour débrayage manuel à une hauteur max. d'1,80 m. Si amovible, ranger l'actionneur à proximité immédiate de la porte ;

installer toutes les commandes fixes à une hauteur min. d'1,50 m et visibles depuis la porte, mais à distance des composants mobiles ;

fixer les étiquettes d'avertissement contre les piégeages à un endroit visible ou à proximité d'une commande fixe (Fig. 1 P. 54) ;

après l'installation, vérifier que le mécanisme est correctement réglé et que le mouvement s'inverse ou que l'objet intéressé peut être libéré en cas de contact de la porte avec un objet d'une hauteur de 50 mm placé sur le sol (pour les actionnements intégrant un système de protection contre les blocages en cas de contact avec le bord inférieur de la porte) ;

après l'installation, vérifier qu'aucune partie de la porte ne dépasse sur le trottoir ou sur la rue ;

si l'appareil est fourni avec un bouton d'arrêt séparé, ce dernier doit être identifiable de manière univoque.

**⚠ ATTENTION !**

**Vérifier périodiquement l'installation pour s'assurer qu'elle ne présente pas de déséquilibres, de signes d'usure mécanique ou de dommages sur les câbles, les ressorts et les éléments de support. Ne pas utiliser si la réparation ou l'ajustement est nécessaire**

**⚠ ATTENTION !**

**Les composants de l'emballage (carton, plastique, etc.), dûment séparés, doivent être placés dans les bacs appropriés. Les composants de l'appareil tels que les cartes électroniques, les pièces métalliques, les batteries, etc. doivent être séparés et différenciés. Pour les modalités d'élimination, les règles en vigueur sur le lieu d'installation doivent être appliquées. NE PAS JETER DANS L'ENVIRONNEMENT!**



**KEY AUTOMATION se réserve le droit de modifier, si nécessaire, les présentes instructions, dont vous pouvez trouver sur le site [www.keyautomation.com](http://www.keyautomation.com) une version mise à jour.**

## 2 - PRÉSENTATION DU PRODUIT

### 2.1 - Description du produit

Halo est un motoréducteur électromécanique irréversible conçu pour l'automatisation des portails basculants jusqu'à 17 m<sup>2</sup> et des portails sectionnels jusqu'à 19 m<sup>2</sup>. Halo est équipé d'un codeur, d'une unité centrale de commande et d'un récepteur à 4 canaux intégrés. Le rail est prémonté, à courroi, monobloc ou en 3 parties.

Un rail spécial en aluminium revêtu de peinture poudre et à Leds

intégrées permet l'illumination constante du garage.

La configuration plate du corps moteur permet en outre de l'installer dans des positions plus discrètes, à proximité de l'architrave de la porte et de l'arbre porte-ressort.

### 2.2 - Composition

Le système d'automatisation pour portes de garages est livré dans deux boîtes, la première contenant l'automatisme et la seconde le rail :

- FIG. 1 contenu emballage tête et liste des composants  
 FIG. 2 rail Led  
 FIG. 3 rail en acier monobloc  
 FIG. 4 rail en acier 3 éléments

### 2.3 - Modèles et caractéristiques techniques

CODE	DESCRIPTION	PUISSANCE
900HA8	Pour portes sectionnelles jusqu'à 11 m <sup>2</sup> (rail de 3 m) ou 12 m <sup>2</sup> (rail de 4 m), moteur 24 Vdc, puissance 800 N et unité centrale à récepteur intégré et alimentation à 230 Vca	800N
900HA12	Pour portes sectionnelles jusqu'à 16 m <sup>2</sup> (rail de 3 m) ou 19 m <sup>2</sup> (rail de 4 m), moteur 24 Vdc, puissance 1200 N et unité centrale à récepteur intégré et alimentation à 230 Vca	1200N
900HA12E	Pour portes sectionnelles jusqu'à 16 m <sup>2</sup> (rail de 3 m) ou jusqu'à 19 m <sup>2</sup> (rail de 4 m), « Low energy » avec moteur 24 Vdc, puissance 1200 N et unité centrale à récepteur intégré et alimentation à 230 Vca	1200N
900HA12L	Pour portes sectionnelles jusqu'à 16 m <sup>2</sup> (rail de 3 m) ou jusqu'à 19 m <sup>2</sup> (rail de 4 m), « Low energy » avec moteur 24 Vdc, puissance 1200 N et unité centrale à récepteur intégré, 120 Vac	1200N

#### COMPATIBILITÉ TÊTE/RAIL

	HA8	HA12 - HA12E - HA12L
900RAB31	X	X
900RAB3X1P	X	X
900RAB41	X	X
900RAB2X2P	X	X
900RAB61		X
900RAL31		X
900RAL41		X

#### INFORMATIONS TECHNIQUES

	900HA8	900HA12	900HA12E	900HA12L
Vitesse	15 cm/s	15 cm/s	15 cm/s	15 cm/s
Puissance	800 N	1200 N	1200 N	1200 N
Cycles/h maximum <sup>(1)</sup>	20	20	20	20
Cycles consécutifs/h max <sup>(1)</sup>	10	10	10	10
Puissance nominale	80w	100w	100w	100w
Puissance stand-by	5,5 W	5,5 W	<0,5 W	5,5 W
Alimentation	230vac (±10%) 50hz	230vac (±10%) 50hz	230vac (±10%) 50hz	120vac (±10%) 50/60hz
Clignotant	3 W Max	3 W Max	3 W Max	3 W Max
Lumière de courtoisie sur rail à Leds intégrées	-	40 W Max	40 W Max	40 W Max
Sortie d'alimentation accessoires		100mA (24 Vdc non régulés)		
Fusible 1 ligne d'alimentation	1AT	1AT	1AT	2AT
N° max. d'émetteurs mémorisables	90	90	90	90
CODE VARIABLE				
Degré de protection	IP 20	IP 20	IP 20	IP 20
Utilisation en atmosphère particulièrement acide, saline ou explosive	Non	Non	Non	Non
Dimensions (L-P-H)	235-330-84 mm	235-330-84 mm	235-330-84 mm	235-330-84 mm
Poids	6,25 Kg	6,8 Kg	6,8 Kg	6,8 Kg
Température de service	-10°C/+45°C	-10°C/+45°C	-10°C/+45°C	-10°C/+45°C
Dimension max. portail	12 m <sup>2</sup>	19 m <sup>2</sup>	19 m <sup>2</sup>	19 m <sup>2</sup>
Poids max. portail	120 Kg	200 Kg	200 Kg	200 Kg

<sup>(1)</sup> pour porte hauteur 2 m max.

## LIMITES D'UTILISATION

Sectionnelle	Basculante débordante
--------------	-----------------------

## 900HA8 avec rail de 3 m

S max=11m <sup>2</sup> H max = 2,6m	S max=10m <sup>2</sup> H max = 3m
--	--------------------------------------

## 900HA8 avec rail de 4 m

S max=12m <sup>2</sup> H max = 3,6m	S max=11m <sup>2</sup> H max = 3,4m
--	--

## LIMITES D'UTILISATION

Sectionnelle	Basculante débordante
--------------	-----------------------

## 900HA12, 900HA12E, 900HA12L avec rail de 3 m

S max=16m <sup>2</sup> H max = 2,6m	S max=16m <sup>2</sup> H max = 3m
--	--------------------------------------

## 900HA12, 900HA12E, 900HA12L avec rail de 4 m

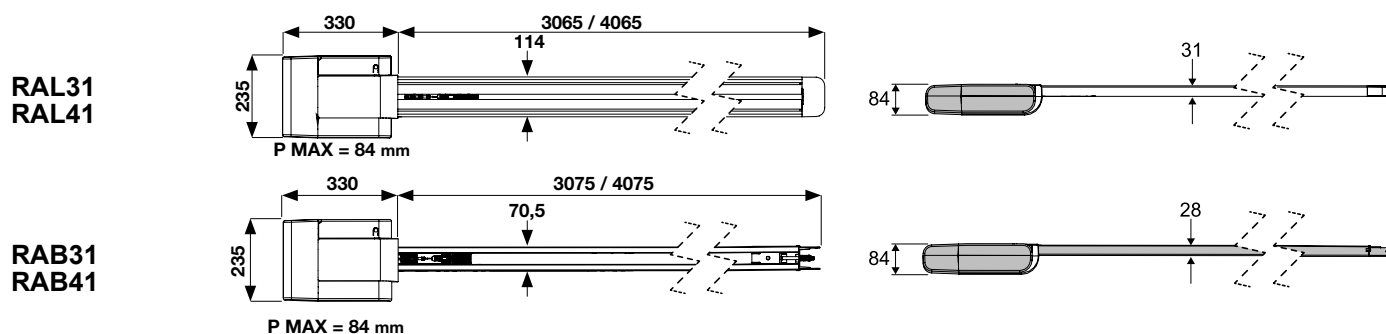
S max=19m <sup>2</sup> H max = 3,6m	S max=17m <sup>2</sup> H max = 3,4m
--	--

## 2.4 - Spécifications techniques

## Modèle et utilisation conseillée - Rail et dimensions disponibles

MODÈLE	MATÉRIAU	REMARQUES	TYPE DE TRACTION	LONGUEUR TOTALE	COURSE RAIL
900RAL31	Aluminium	Illumination à Leds intégrées	Courroie	3090 mm (1x3m)	2660 mm
900RAL41	Aluminium	Illumination à Leds intégrées	Courroie	4090 mm (1x4m)	3660 mm
900RAB3X1P	Acier		Courroie	3100 mm (3x1.03m)	2670 mm
900RAB31	Acier		Courroie	3100 mm (1x3.1m)	2670 mm
900RAB41	Acier		Courroie	4100 mm (1x4.1m)	3670 mm
900RAB2X2P	Acier		Courroie	4100 mm (2x2.05 m)	3670 mm

Les données indiquées peuvent varier en fonction du déplacement et de l'équilibrage du portail ainsi qu'en fonction du rail utilisé.



## 2.5 - Liste des câbles nécessaires

Dans l'installation type, les câbles nécessaires au raccordement des différents dispositifs sont indiqués dans le tableau correspondant. Les câbles doivent être adaptés au type d'installation, un câble type

H03VV-F est par exemple conseillé pour une pose à l'intérieur, et un câble H07RN-F pour une installation à l'extérieur.

## LISTE DES CÂBLES

BRANCHEMENT	TYPE DE CÂBLE	LONGUEUR MAXIMUM AUTORISÉE
Ligne d'alimentation électrique	Schuko CEE 7/4	
Clignotant, lumière de courtoisie	1 x câble 3 x 0,5 mm <sup>2</sup>	20 m
Antenne	1 x câble type RG58	20 m (< 5 m conseillé)
Photocellule émetteur	1 x câble 2 x 0,5 mm <sup>2</sup>	20 m
Photocellule récepteur	1 x câble 4 x 0,5 mm <sup>2</sup>	20 m
Bord sensible radio (*)	1 x câble 4 x 0,5 mm <sup>2</sup>	<2 m
Sélecteur à clé	1 x câble 2 x 0,5 mm <sup>2</sup>	20 m

Demander à un personnel qualifié de procéder à l'installation d'une prise adaptée si aucune n'a été prévue à proximité des machines.

(\*) : se reporter aux instructions du producteur

## 3 - CONTRÔLES PRÉLIMINAIRES

Vérifier les points suivants avant l'installation du produit :

- Contrôler que la porte est prévue pour être automatisée
- Le poids et la dimension du portail doivent correspondre aux limites de fonctionnement spécifiées pour l'automatisme sur lequel est installé le produit
- Contrôler la présence et la solidité des butées mécaniques de sécurité de la porte
- Vérifier que la zone de fixation du produit ne peut être inondée
- Toute acidité ou salinité élevée, ou toute proximité avec une source de chaleur, risque de compromettre le fonctionnement du produit
- Des conditions climatiques extrêmes (neige, gel, écarts thermiques importants, haute température) risquent d'accroître le frottement et d'exiger une puissance d'actionnement et de démarrage supérieure à la moyenne

- Contrôler que l'actionnement manuel de la porte s'effectue sans à-coups et ne présente aucun point de frottement important ni risque de déraillement
- Contrôler que la porte est équilibrée et s'immobilise dans n'importe quelle position
- Vérifier que la ligne électrique à laquelle le produit sera raccordé dispose d'une mise à la terre de sécurité et est protégée par un interrupteur magnétothermique et différentiel
- Sur le réseau d'alimentation de l'installation, prévoir un dispositif de déconnexion avec une distance d'ouverture des contacts permettant un débranchement complet selon les conditions correspondant à la catégorie de surtension III
- Vérifier que tout le matériel d'installation est conforme aux normes en vigueur

## 4 - INSTALLATION DU PRODUIT

### 4.1 - Montage et installation Halo avec rail Led

Avant de procéder au montage, s'assurer de disposer de tous les outils nécessaires (FIG. 5).

Positionner le rail sur une surface plane et le protéger contre tout risque de rayures. Retirer le bouchon plastique et extraire le contenu.

Faire glisser la poulie de renvoi jusqu'à faire dépasser davantage la vis à l'extrémité du rail, desserrer l'écrou, introduire le ressort de tension et serrer l'écrou jusqu'à tendre la courroie (FIG. 6, 7). Approcher la tête du rail et la poser sur une surface plane en protégeant le couvercle inférieur contre tout risque de rayures. Retirer le couvercle arrière en faisant pression sur les deux points indiqués (FIG. 8).

Retirer le couvercle blanc (FIG. 9), au moyen d'un cutter, découper les deux rectangles sur le couvercle blanc et les retirer (FIG. 10).

Ouvrir le panneau indiqué en découpant le plastique avec un cutter et en le soulevant délicatement (FIG. 11), puis introduire la carte de régulation des Leds (livrée dans le colis du rail) avec les câbles déjà raccordés (FIG. 2, 12). Refermer délicatement le couvercle. Placer les câbles dans les fentes prévues et introduire le câble sans connecteur dans l'orifice indiqué (FIG. 12).

Installer l'adaptateur métallique à l'intérieur de l'orifice du rail à l'aide d'un marteau en caoutchouc (FIG. 13), placer ensuite le rail sur la tête en veillant à faire correspondre les cannelures de l'adaptateur avec celles du pivot du moteur (FIG. 14) et brancher le connecteur (FIG. 15).

#### ATTENTION !

**Vérifier que les câbles sont introduits dans les chemins prévus avant d'installer et de serrer la plaque supérieure (FIG. 16) pour éviter tout écrasement de ces derniers. Serrer les 4 vis cruciformes.**

Ouvrir le panneau latéral, extraire le câble et raccorder les fils à l'unité centrale (FIG. 17). Refermer le panneau.

Poser le moteur sur l'arbre porte-ressort (FIG. 18), soulever le rail parallèlement au sol, mesurer la hauteur A (distance entre le rail et le plafond) puis couper la barre fileté selon **A - 5 cm** (FIG. 19). La barre fileté et les composants de fixation sont fournis avec le rail Led.

Monter les composants de la barre fileté (FIG. 20). Fixer la barre fileté au plafond en utilisant des vis ou chevilles adaptées (non fournies) (FIG. 21). Monter et introduire la partie inférieure de la bride dans le rail en la faisant coulisser à l'intérieur des fentes (FIG. 22) introduire ensuite le bouchon en plastique dans le rail.

Raccorder la barre fileté à l'écrou hexagonal haut du rail, faire pivoter la barre jusqu'à l'introduire sur 1 cm environ et obtenir ainsi un rail parfaitement horizontal. Serrer ensuite les écrous selon la séquence indiquée (FIG. 23).

Introduire les vis longues et les serrer manuellement afin de permettre aux écrous de rentrer dans leur logement (FIG. 24). Laisser dépasser les vis de quelques millimètres de façon à pouvoir installer la bride sur la fente prévue. Utiliser la fente pour positionner la bride sur l'architrave et marquer la position des trous (FIG. 25).

Déplacer le moteur sur le côté et fixer la bride en utilisant des vis ou chevilles adaptées (non fournies) (FIG. 26).

Repositionner le moteur sur la bride.

#### ATTENTION !

**Serrer ensuite les vis latérales longues jusqu'à sentir leur pointe dépasser (FIG. 38). Ne pas serrer à fond pour ne pas endommager le logement des écrous.**

Serrer les contre-écrous (FIG. 27) à fond en maintenant les vis avec une clé hexagonale.

#### ATTENTION !

**Ne pas serrer les vis pour éviter la rupture des logements des écrous, tourner exclusivement les contre-écrous.**

Fixer les mâchoires inférieures (FIG. 28).

Fixer la bride à la partie supérieure de la porte en position centrale (FIG. 29) exactement au centre de la bride en C (FIG. 26). Prendre les mesures indiquées (TAB. 1A) et assembler le bras de liaison avec les éléments indiqués (TAB. 2).

Débloquer le chariot au moyen du cordon prévu (FIG. 30).

Tirer la barrette du chariot, introduire le bras coudé et le goujon à l'intérieur (FIG. 31, 32, 33, 34) et serrer les 2 vis à tête évasée de fermeture de la barrette. Serrer également les 2 vis à tête évasée symétriquement sur l'autre extrémité du chariot.

Raccorder le bras à la porte (FIG. 35) et réarmer le chariot au moyen du cordon (le levier se rétracte et le bloque) et actionner la porte manuellement jusqu'au blocage (FIG. 36).

Retirer les adhésifs transparents de protection des profils des diffuseurs des LED et du rail (FIG. 37).

Après avoir exécuté la programmation (paragraphes suivants), fixer la vis de sécurité (FIG. 52) et installer le couvercle blanc (FIG. 53).

#### 4.2 - Assemblage du rail en trois parties

Assembler le rail (FIG. 4) puis tirer la courroie (FIG. 7)

#### 4.3 - Montage du rail unique

Tirer la courroie (FIG. 7)

#### 4.4 - Raccordement du corps du moteur aux rails en acier

Suivre les instructions du par. 4.1 (FIG. 13, 14, 16)

#### 4.5 - Installation avec corps du moteur sur l'architrave

##### ATTENTION !

Pour toute information manquante, voir le par. 4.1

Suivre les instructions du par. 4.1 à partir de la FIG. 25, en raccordant la bride sur l'orifice et non sur la fente (FIG. 38) et en suivant les indications du TAB. 1B et du TAB. 2.

Se conformer ensuite aux indications du par. 4.1

#### 4.6 - Installation classique

##### ATTENTION !

Pour toute information manquante, voir le par. 4.1

##### ATTENTION !

**NE PAS DÉPOSER LE COUVERCLE ARRIÈRE !**

Fixer la bride à l'architrave (FIG. 26), puis raccorder le rail en acier au moyen de l'une des deux vis longues fournies (FIG. 39) et selon les indications du TAB. 1C et du TAB. 2.

Soulever le rail parallèlement au sol, mesurer la hauteur A puis couper les deux brides du plafond comme suit : valeur **A + 3 cm** (FIG. 40). Installer la plaque de fixation rapide puis la raccorder à la bride au plafond (FIG. 41, 42).

Fixer les brides au plafond en utilisant des vis ou chevilles adaptées (non fournies).

Suivre les instructions du par. 4.1 de la FIG. 29 à la FIG. 35, en introduisant le bras dans la fente du chariot après avoir ouvert cette dernière avec un cutter (FIG. 43).

#### 4.7 - Ouverture manuelle de la porte

En cas de panne de courant, et en l'absence de batterie tampon en option, procéder comme suit pour débrayer l'automatisme :

##### PHASE DESCRIPTION

1	Tirer le cordon pour placer le levier de débrayage à la verticale (FIG. 30)
2	Soulever ou abaisser la porte manuellement
3	Pour réinitialiser l'automatisme, utiliser le cordon pour permettre au levier de débrayage de se rétracter complètement à l'intérieur du chariot (FIG. 36)
4	Soulever ou abaisser manuellement la porte jusqu'à la bloquer sur le rail

#### 4.8 - Fixation du fin de course d'ouverture du rail Led

Débrayer le chariot, soulever manuellement la porte jusqu'à sa position d'ouverture maximum, soit **H - 10 cm** (FIG. 44). Marquer la position finale du chariot avec un crayon (FIG. 45) et

percer un trou à la perceuse avant de fixer avec la vis (FIG. 46).

#### 4.9 - Fixation du fin de course d'ouverture du rail en acier

Débrayer le chariot, soulever manuellement la porte jusqu'à sa position d'ouverture maximum, soit **H - 10 cm** (FIG. 44).

Fixer solidement le fin de course (FIG. 47).

#### 4.10 - Branchements électriques

##### ATTENTION !

**Avant les branchements, vérifier que l'unité centrale de commande n'est pas alimentée**

Effectuer les branchements (FIG. 48)

##### BRANCHEMENTS ÉLECTRIQUES

COM	Sorties communes FLASH, LED
FLASH	Sortie clignotant 24 Vcc (non régulée), maximum 3 W
LED	Sortie lumière de courtoisie 24 Vcc (non régulée), maximum 20 W
PH-POW	Sortie positif alimentation photocellule, 24 Vcc (non régulée), maximum 100 W
NEG	Sortie négatif alimentation photocellule
PH	Photocellule (fermeture) contact NF entre PH et COM
EDGE/EDGE	Entrée bord sensible, contact NF, résistif 8k2 ou résistif double 8k2 (parallèle)



SBS	Commande PAS-PAS contact NO entre SBS et COM Commande Ouverture/Stop/Fermeture/Stop ou selon la sélection logicielle
STOP	STOP contact NF entre STOP et COM. Le contact peut être activé à tout moment et bloque immédiatement l'automatisme et toutes les fonctions, fermeture automatique incluse
COM	Commun entrées SBS, STOP
L1	Led ROUGE de signalisation pour la programmation des paramètres de l'unité centrale
MENU	Touche de programmation des paramètres de l'unité centrale
RADIO	Touche de programmation des paramètres de la radio intégrée
L2	Led VERTE de signalisation pour la programmation des paramètres de la radio
KUBE/DYL	Connecteur pour DYL et KUBE
SBS	Touche SBS (PAS-PAS) pour l'actionnement de l'automatisme
DIP1/PH DIP2/EDGE	Dip-switch de désactivation des sécurités (PH, EDGE) voir FIG. 48
SHIELD	Antenne - gaine -
ANT	Antenne - signal -

Le raccordement du clignotant Led devra être effectué sur les bornes COM et FLASH.

Le raccordement de la lumière de courtoisie devra être effectué sur les bornes COM et LED.

Le contact pas-pas SBS devra être effectué sur les bornes COM et SBS (contact normalement ouvert NO).

Le contact de la photocellule devra être effectué sur les bornes COM et PH. **Pour désactiver la photocellule, déplacer le dip-switch gauche vers le haut. Après avoir actionné le dip-switch, les Leds L1 et L2 commencent à clignoter rapidement.**

### ⚠ ATTENTION !

**CONFIRMER LA DÉSACTIVATION DE L'ENTRÉE PH EN MAIN-**

**TENANT SIMULTANÉMENT ENFONCÉS LES BOUTONS MENU ET RADIO JUSQU'À INTERRUPTION DU CLIGNOTEMENT DES LEDS L1 ET L2.**

Les entrées du bord sensible EDGE devront être effectuées sur les bornes EDGE et EDGE. **Pour désactiver le bord sensible, déplacer le dip-switch droit vers le haut. Après avoir actionné le dip-switch, les leds L1 et L2 commencent à clignoter rapidement.**

### ⚠ ATTENTION !

**CONFIRMER LA DÉSACTIVATION DE L'ENTRÉE EDGE EN MAINTENANT SIMULTANÉMENT ENFONCÉS LES BOUTONS MENU ET RADIO JUSQU'À INTERRUPTION DU CLIGNOTEMENT DES LEDS L1 ET L2.**

## 4.11 - Programmation des radiocommandes

Raccorder le module sans fil KUBE PRO (si prévu) à l'unité centrale (FIG. 49, 50) et se conformer aux instructions affichées.  
Relier le module via câble DYL (si prévu) à l'unité centrale et se

conformer aux instructions affichées.





Dans le cas contraire, procéder comme suit :

### MÉMORISATION D'UNE RADIOCOMMANDE

### ⚠ ATTENTION !

La phase de mémorisation permet d'enregistrer tous les émetteurs présents dans la plage de réception. Pour réduire la por-

tée du récepteur, débrancher momentanément l'antenne.

PHASE	DESCRIPTION	EXEMPLE
1	Appuyer sur la touche RADIO le nombre de fois correspondant à la fonction à activer : 1 fois pour la fonction SBS (PAS-PAS ou OUVERTURE - STOP - FERMETURE - STOP), 2 fois pour la fonction OUVERTURE PARTIELLE, 3 fois pour la fonction OUVERTURE SEULE, 4 fois pour la fonction LUMIÈRE ON/OFF, 5 fois pour la fonction PRÉCONFIGURÉE (touche 1 = SBS, touche 2 = OUVERTURE PARTIELLE, touche 3 = OUVERTURE SEULE, touche 4 = LUMIÈRE ON/OFF) 6 fois pour la fonction TOUCHE MURALE (touche 1 = FERMETURE/STOP, touche 2 = OUVERTURE/STOP, touche 3 = VENTILATION, touche 4 = LUMIÈRE ON/OFF)	
2	La Led L2 clignote le nombre de fois correspondant à la sortie sélectionné avec des pauses d'une seconde	
3	Dans un délai de 10 secondes, appuyer durant 2 sec. min. sur la touche de la radiocommande à mémoriser	
4	Si la mémorisation a été correctement effectuée, la Led L2 émet un clignotement prolongé	
5	Pour mémoriser une autre radiocommande sur la même sortie, répéter les opérations du point 3	
Rem.	Après 10 secondes d'inactivité, le récepteur sort automatiquement de la phase de programmation	

## EFFACEMENT D'UNE RADIOCOMMANDE

PHASE	DESCRIPTION	EXEMPLE
1	Appuyer sur la touche RADIO jusqu'à allumage de la Led L2 (3 secondes env.)	
2	Dans un délai de 10 secondes, appuyer sur la touche de la radiocommande à effacer jusqu'à extinction de la Led L2 du récepteur. Relâcher la touche de la radiocommande	
3	Env. une seconde après le relâchement de la touche, la Led 2 du récepteur commence à clignoter	
4	Confirmer l'effacement en appuyant sur la touche RADIO	
5	Si l'effacement a été correctement effectué, la Led L2 émet un clignotement prolongé	
Rem.	Après 10 secondes d'inactivité, le récepteur sort automatiquement de la phase d'effacement	

## EFFACEMENT DE TOUTE LA MÉMOIRE DU RÉCEPTEUR/RÉINITIALISATION DU RÉCEPTEUR

PHASE	DESCRIPTION	EXEMPLE
1	Maintenir la touche RADIO enfoncée jusqu'à l'allumage de la Led L2 (3 secondes env.), suivie de son extinction (3 secondes env.). Relâcher la touche	
2	Env. une seconde après le relâchement de la touche, la Led 2 du récepteur commence à clignoter	
3	Pour effacer toute la mémoire, appuyer sur la touche RADIO au moment du troisième clignotement	
4	Si l'effacement/la réinitialisation a été correctement effectuée, la Led L2 émet un clignotement prolongé	

## MÉMORISATION À DISTANCE D'UNE RADIOCOMMANDE AVEC UNE RADIOCOMMANDE DÉJÀ MÉMORISÉE

Un émetteur peut être mémorisé sans avoir accès au récepteur. Un émetteur déjà mémorisé est pour cela nécessaire ; se conformer aux opérations indiquées.

La procédure de copie à distance doit être effectuée dans la zone couverte par le récepteur.

PHASE	DESCRIPTION	EXEMPLE
1	Appuyer durant 5 sec. min. sur la touche de la nouvelle radiocommande à mémoriser	
2	Appuyer durant 3 sec. min. sur la touche de l'ancienne radiocommande à copier (si la phase 1 précédente a été correctement effectuée, l'automatisme ne s'actionne pas)	
3	Appuyer durant 3 sec. min. sur la touche de la nouvelle radiocommande à mémoriser	
4	Appuyer durant 3 sec. min. sur la touche de l'ancienne radiocommande à copier pour confirmer et sortir de la phase de programmation	
Rem.	Après 10 secondes d'inactivité, le récepteur sort automatiquement de la phase de programmation	

## 4.12 - Apprentissage des valeurs d'ouverture et fermeture

Raccorder le module sans fil KUBE PRO (si prévu) à l'unité centrale (FIG. 49, 50) et se conformer aux instructions affichées. Relier le module via câble DYL (si prévu) à l'unité centrale et se conformer aux instructions affichées.

### ATTENTION !

Si le module KUBE PRO, KUBE ou le programmeur DYL sont déjà installés, sectionner l'alimentation de l'appareil durant quelques secondes pour passer en mode manuel.

Le contact de la photocellule devra être effectué sur les bornes COM et PH. Pour désactiver la photocellule, déplacer le dip-switch gauche vers le haut. Après avoir actionné le dip-switch, les Leds L1 et L2 commencent à clignoter rapidement.

### ATTENTION !

CONFIRMER LA DÉSACTIVATION DE L'ENTRÉE PH EN MAINTENANT SIMULTANÉMENT ENFONCÉS LES BOUTONS MENU

PHASE	DESCRIPTION
1	Programmer une télécommande si aucune télécommande n'est déjà mémorisée, ou utiliser la touche SBS de l'unité centrale
2	Si le chariot n'a jamais été actionné manuellement, la porte doit se trouver en position d'ouverture partielle, le chariot installé sur le rail
3	Appuyer sur la touche SBS d'une télécommande mémorisée ou sur la touche SBS de l'unité centrale, ou sur une touche externe reliée à l'entrée SBS de l'unité centrale

## ET RADIO JUSQU'À INTERRUPTION DU CLIGNOTEMENT DES LEDS L1 ET L2.

Les entrées du bord sensible EDGE devront être effectuées sur les bornes EDGE et EDGE. Pour désactiver le bord sensible, déplacer le dip-switch droit vers le haut. Après avoir actionné le dip-switch, les leds L1 et L2 commencent à clignoter rapidement.

### ATTENTION !

CONFIRMER LA DÉSACTIVATION DE L'ENTRÉE EDGE EN MAINTENANT SIMULTANÉMENT ENFONCÉS LES BOUTONS MENU ET RADIO JUSQU'À INTERRUPTION DU CLIGNOTEMENT DES LEDS L1 ET L2.

Note: l'intensité de la lumière est atténuée pendant le mouvement de la porte

Dans le cas contraire, procéder comme suit :

	La porte doit s'ouvrir à petite vitesse
4	<p><b>⚠ ATTENTION !</b></p> <p><b>Si la porte se ferme, appuyer à nouveau sur la touche pour interrompre le mouvement et une deuxième fois pour inverser la direction. La procédure n'est correcte que si la première manœuvre est en ouverture et se termine par le contact du chariot avec la butée mécanique positionnée précédemment</b></p>
5	La porte atteint la position d'ouverture complète au contact du chariot avec la butée mécanique, s'arrête durant une seconde et redémarre en ouverture jusqu'à la fin de la manœuvre
6	Les valeurs sont mémorisées
7	effectuer AU MINIMUM une seconde manœuvre complète en ouverture et une autre en fermeture à partir du fin de course et sans interruption, ceci afin de permettre à l'unité centrale de mémoriser les efforts du moteur le long de la course
8	Si l'automatisme ne parvient pas à terminer la manœuvre, vérifier l'absence d'obstacles mécaniques le long de sa course et l'équilibrage de la porte, et réduire si nécessaire la sensibilité envers les obstacles
	Pour réinitialiser les valeurs d'ouverture et fermeture :
	maintenir la touche MENU enfoncée jusqu'à l'allumage et l'extinction de la Led L1. Relâcher la touche MENU. La Led L1 émet un clignotement prolongé. Appuyer à nouveau sur la touche MENU au moment du
9	5e clignotement pour moteur HALO 800 6e clignotement pour moteur HALO 1200
	Si la procédure a été correctement effectuée, la Led L1 émet un clignotement prolongé, et un clignotement rapide dans le cas contraire
	Répéter la procédure à partir du point 4

#### 4.13 - Modification d'un paramètre de l'unité centrale

Raccorder le module sans fil KUBE PRO (si prévu) à l'unité centrale (FIG. 49, 50) et se conformer aux instructions affichées. conformer aux instructions affichées.  
Relier le module via câble DYL (si prévu) à l'unité centrale et se Dans le cas contraire, procéder comme suit :

##### PHASE DESCRIPTION

1	Appuyer sur la touche MENU durant le nombre de fois correspondant au paramètre à modifier (TAB. 3 - P. 51)
2	La Led L1 émet des clignotements rapides suivis d'une pause correspondant au paramètre à modifier
3	Maintenir la touche MENU enfoncée durant plus de 3 secondes
4	La Led L1 reste éteinte
5	Relâcher la touche MENU
6	La Led L1 émet des clignotements lents, le nombre de clignotements correspondant à la valeur maximum pouvant être configurée. À la fin du dernier clignotement, la procédure se termine sans modification du paramètre
7	Appuyer à nouveau sur la touche MENU au moment du clignotement correspondant à la valeur du paramètre désiré
8	Si la procédure a été correctement effectuée, la Led L1 émet un clignotement prolongé, et un clignotement rapide dans le cas contraire

#### 4.14 - Rétablissement paramètres de l'unité centrale

##### PHASE DESCRIPTION

1	Maintenir la touche MENU enfoncée jusqu'à l'allumage et l'extinction de la Led L1
2	Relâcher la touche MENU
3	La Led L1 émet des clignotements lents
4	Appuyer à nouveau sur la touche MENU au moment du 3e clignotement
5	Si la procédure a été correctement effectuée, la Led L1 émet un clignotement prolongé, et un clignotement rapide dans le cas contraire

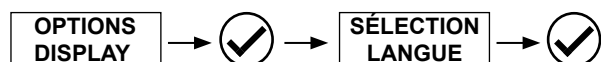
#### 4.15 - Orifice pour mécanisme anti-intrusion

Placer en position de fermeture le portail (commandé par le moteur), marquer avec un crayon la position du côté du chariot opposé à celui de la porte.  
Débloquer le chariot, puis pratiquer à l'aide d'une perceuse un ori-

ficé de 10 mm au centre du rail au niveau de la marque (FIG. 51). Vérifier le bon fonctionnement du mécanisme en fermant manuellement le portail, puis en réarmant le chariot et en essayant d'ouvrir manuellement le portail.

#### 4.16 - Utilisation de l'écran du programmeur

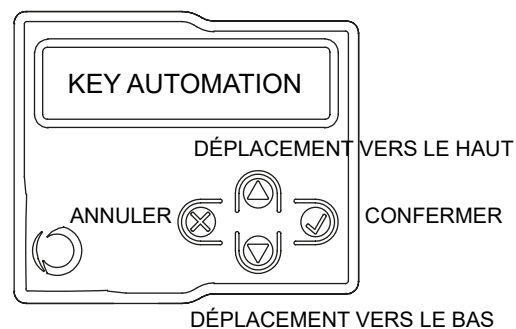
Pour personnaliser la langue du programmeur, procéder comme suit :



**N. B.** Lors du premier allumage de l'écran, il est nécessaire de sélectionner la langue. Appuyer sur ▲ ou ▼ pour sélectionner la langue désirée, puis confirmer avec V.

Si aucune langue n'est sélectionnée (pression touche X), l'unité centrale utilisera la langue par défaut (ANGLAIS) jusqu'à la prochaine mise en fonction.

En mode normal, c'est-à-dire en cas d'alimentation normale du système et de branchement de l'écran du programmeur, appuyer sur X jusqu'à l'affichage de «Key Automation». Les messages d'état suivants s'affichent :



ÉVÉNEMENT	DESCRIPTION	INDICATION CLIGNOTANT ET LED COMMANDES UNITÉ CENTRALE
ouverture	Porte en ouverture	
ouverture aération	Porte en ouverture pour aération	
fermeture	Porte en fermeture	
fermeture automatique	Porte ouverte avec refermeture temporisée activée	
stop en fermeture	Arrêt porte durant la phase de fermeture	
stop en ouverture	Arrêt porte durant la phase d'ouverture	
ouvert	Porte complètement ouverte sans refermeture automatique	
ouvert en aération	Porte ouverte en aération sans refermeture automatique	
fermé	Porte complètement fermée	
programmation	Durant la phase de programmation	2 clignotements rapides + pause + 1 clignotement
obstacle	Détection d'un obstacle moteur	4 clignotements rapides + pause 3 fois de suite
photo !	Intervention photocellule	2 clignotements rapides + pause 3 fois de suite
bord sensible !	Intervention bord sensible	5 clignotements rapides + pause 3 fois de suite
ouverture partielle	Ouverture partielle en cours	
fermeture automatique partielle	Porte en ouverture partielle avec refermeture temporisée activée	
fermeture automatique aération	Porte en ouverture en aération avec refermeture temporisée activée	
erreur FLASH/LED	Surcharge sortie FLASH et LED	6 clignotements rapides + pause 3 fois de suite
erreur phototest	Erreur phototest détectée	3 clignotements rapides + pause 3 fois de suite
erreur fin de course !	Erreur fin de course/butée mécanique détectée	8 clignotements rapides + pause 3 fois de suite
erreur mémoire	Erreur mémoire détectée	10 clignotements rapides + pause 3 fois de suite

#### 4.17 - Connexion module sans fil KUBE PRO / KUBE

**Sectionner l'alimentation de l'appareil avant toute opération.**

Retirer la protection plastique du connecteur du module KUBE. Retirer les coques en plastique (FIG. 49) et introduire la carte dans la fente prévue (FIG. 50).

**ATTENTION !**

Après déballage, manier le module KUBE avec une extrême attention.

**ATTENTION !**

Vérifier attentivement le positionnement du module KUBE sur le connecteur de l'unité centrale (FIG. 50).

Les programmeurs KUBE PRO et DYL permettent, outre les paramètres (TAB. 3), de modifier également les paramètres suivants :

vitesse en ouverture \*  
 Vitesse de ralentissement en ouverture \*  
 vitesse en fermeture \*  
 Vitesse de ralentissement en fermeture \*  
 ampleur de ralentissement en ouverture \*  
 ampleur de ralentissement en fermeture \*  
 contact de STOP

phototest  
 test bord sensible  
 amplitude ouverture partielle  
 amplitude fonction aération du garage  
 temps de fermeture automatique partielle  
 temps de fermeture automatique aération  
 mode de fonctionnement clignotant  
 temps de préclignotement  
 intensité courtoisie à la fin du cycle  
 fonctionnement lumière de courtoisie intégrée  
 fonctionnement après panne de courant  
 activation du clignotement pour entretien par défaut  
 blocage entrées via mot de passe  
 blocage récepteur via mot de passe

pour la modification, se conformer aux indications affichées.

**ATTENTION !**

\* Après modification du paramètre, effectuer impérativement deux manœuvres complètes minimum en vue de la mémorisation des efforts du moteur sur sa course par l'unité centrale

## 5 - RÉCEPTION ET MISE EN SERVICE DE L'AUTOMATISME

La réception de l'installation doit être réalisée par un technicien qualifié qui doit effectuer les essais prescrits par la norme de référence en fonction des risques présents, et vérifier le respect qu'elle est

conforme aux dispositions des normes, en particulier à celles de la norme EN12453 qui précise les méthodes d'essai à adopter pour les automatismes pour portes et portails.

### 5.1 - Réception

Tous les composants de l'installation doivent être soumis aux essais de réception selon les procédures indiquées dans leurs guides techniques respectifs ;

contrôler que les indications du Chapitre 1 – Consignes de sécurité sont respectées ;

contrôler que le portail ou la porte peuvent être librement actionnés une fois que l'automatisme a été débrayé et qu'ils sont en équilibre et restent donc en position arrêtée dans n'importe quelle position ;

contrôler le fonctionnement correct de tous les dispositifs raccordés (photocellules, bords sensibles, boutons d'urgence, autre) en effectuant des essais au moyen des dispositifs de commande raccordés (émetteurs, boutons, sélecteurs) ;

effectuer les mesures de la force d'impact comme le prévoit la norme EN12453 en réglant les fonctions de vitesse, de force du moteur et des ralentissements de la logique de commande, si les mesures ne donnent pas les résultats voulus, jusqu'au paramétrage adéquat.

### 5.2 - Mise en service

Si la réception de tous les dispositifs de l'installation (et non pas d'une partie) est positive, on peut effectuer la mise en service ;

il faut rédiger et conserver pendant 10 ans le dossier technique de l'installation qui devra contenir le schéma électrique, le dessin ou la photo de l'installation, l'analyse des risques et les solutions adoptées, la déclaration de conformité du fabricant de tous les dispositifs raccordés, le guide technique de chaque dispositif et le plan de maintenance de l'installation ;

fixer sur le portail ou la porte une plaquette mentionnant les données de l'automatisme, le nom du responsable de la mise en service, le numéro de fabrication et l'année de construction, ainsi que la marque CE.

fixer une plaquette indiquant les opérations nécessaires pour débrayer manuellement l'installation ;

rédiger et remettre à l'utilisateur final la déclaration de conformité, les instructions et les consignes d'utilisation destinées à l'utilisateur final, ainsi que le plan de maintenance de l'installation ;

s'assurer que l'utilisateur a correctement compris le fonctionnement automatique, manuel et d'urgence de l'automatisme ;

informer aussi l'utilisateur final par écrit sur les dangers et les risques résiduels ;

#### ATTENTION !

**Après la détection d'un obstacle, le portail ou la porte s'arrête en phase d'ouverture et la fermeture automatique est exclue ; pour que le portail reprenne sa course, il faut presser le bouton de commande ou utiliser l'émetteur.**

# ÍNDICE

<b>1</b>	<b>Advertencias para la seguridad</b>	pág. 39
<b>2</b>	<b>Introducción al producto</b>	pág. 41
2.1	Descripción del producto	pág. 41
2.2	Composición	pág. 41
2.3	Modelos y características técnicas	pág. 41
2.4	Especificaciones técnicas	pág. 42
2.5	Lista de los cables necesarios	pág. 42
<b>3</b>	<b>Controles preliminares</b>	pág. 43
<b>4</b>	<b>Instalación del producto</b>	pág. 43
4.1	Ensamblaje e instalación de Halo con guía de LED	pág. 43
4.2	Ensamblaje de la guía en 3 partes	pág. 44
4.3	Ensamblaje de la guía única	pág. 44
4.4	Conexión del cuerpo del motor a las guías de acero	pág. 44
4.5	Instalación con cuerpo del motor en el eje portamuelles o en dintel	pág. 44
4.6	Instalación clásica	pág. 44
4.7	Apertura manual de la puerta	pág. 44
4.8	Fijación del final de carrera de apertura de la guía LED	pág. 44
4.9	Fijación del final de carrera de apertura de la guía de acero	pág. 44
4.10	Conexiones eléctricas	pág. 44
4.11	Programación de los radiomandos	pág. 53
4.12	Aprendizaje de las medidas de apertura y cierre	pág. 54
4.13	Modificación de un parámetro de la central	pág. 55
4.14	Restablecimiento de la central	pág. 55
4.15	Agujero para el mecanismo antiintrusión	pág. 55
4.16	Uso del programador con pantalla	pág. 56
4.17	Conexión del módulo inalámbrico KUBE PRO / KUBE	pág. 56
<b>5</b>	<b>Ensayo y puesta en servicio</b>	pág. 57
5.1	Ensayo	pág. 57
5.2	Puesta en servicio	pág. 57
<b>6</b>	<b>Declaración de conformidad CE</b>	pág. 95

## 1 - ADVERTENCIAS PARA LA SEGURIDAD

### **⚠ ATENCIÓN !**

**INSTRUCCIONES ORIGINALES – instrucciones importantes de seguridad. Para la seguridad de las personas es importante respetar las siguientes instrucciones de seguridad. Guarde estas instrucciones.**

Lea detenidamente las instrucciones antes de realizar la instalación.

**El diseño y la fabricación de los dispositivos que componen el producto y las informaciones contenidas en este manual respetan las normativas vigentes sobre la seguridad. No obstante esto, una instalación y una programación incorrectas pueden provocar graves lesiones a las personas que realizan el trabajo y a aquellas que utilizarán el sistema. Por dicho motivo, durante la instalación es importante respetar escrupulosamente todas las instrucciones mencionadas en este manual.**

No proceda con la instalación si tuviera alguna duda y, si fuera necesario, solicite aclaraciones al Servicio de Asistencia Key Automation.

**Para la legislación Europea la realización de una puerta automática debe respetar las Normas previstas por la Directiva 2006/42/CE (Directiva de Máquinas) y, en particular, las Normas EN 12453, EN 12635 y EN 13241-1, que permiten declarar la conformidad del automatismo.**

En virtud de esto, la conexión definitiva del automatismo a la red eléctrica, el ensayo del sistema, su puesta en servicio y el mantenimiento periódico deben ser realizados por personal calificado y experto, respetando las instrucciones indicadas en el apartado "Ensayo y puesta en servicio del automatismo".

Además, el personal deberá establecer los ensayos previstos en función de los riesgos presentes y deberá comprobar la conformidad con las leyes, normativas y reglamentos: en particular, el respeto de todos los requerimientos de la Norma EN 12453 que establece los métodos de ensayo para las puertas motorizadas.

### **⚠ ATENCIÓN !**

**Antes de comenzar con la instalación, realice los siguientes análisis y controles:**

compruebe que los dispositivos destinados al automatismo sean adecuados para el sistema que se debe realizar. Para tal fin, controle detenidamente los datos indicados en el capítulo "Características

técnicas". No realice la instalación incluso si uno de dichos dispositivos no es adecuado para el uso;

compruebe que los dispositivos comprados sean suficientes para garantizar la seguridad del sistema y su funcionamiento;

realice el análisis de los riesgos que debe incluir la lista de los requerimientos esenciales de seguridad indicados en el Anexo I de la Directiva de Máquinas, indicando las soluciones tomadas. El análisis de los riesgos es uno de los documentos que constituyen el expediente técnico del automatismo. El mismo deberá ser cumplimentado por un instalador profesional.

**Teniendo en cuenta las situaciones peligrosas que pueden generarse durante las etapas de instalación y uso del producto, es necesario instalar el automatismo respetando las siguientes advertencias:**

no modifique ninguna pieza del automatismo, salvo aquellas previstas en este manual. Las operaciones de este tipo pueden provocar solo fallos en el funcionamiento. El fabricante no se asume ninguna responsabilidad por los daños provocados por los productos modificados arbitrariamente;

procure que las piezas de los componentes del automatismo no queden sumergidas en agua o en otras sustancias líquidas. Durante la instalación, evite que los líquidos puedan penetrar en el interior de los dispositivos;

si el cable de alimentación estuviera dañado, deberá ser sustituido por el fabricante o por su servicio de asistencia técnica, o bien por una persona cualificada con el fin de prevenir cualquier tipo de riesgo;

si sustancias líquidas penetraran en el interior de las piezas de los componentes del automatismo, desconecte inmediatamente la alimentación eléctrica y contacte con el Servicio de Asistencia Key Automation. Utilizar el automatismo en dichas condiciones podría causar situaciones peligrosas.

No coloque los componentes del automatismo cerca de fuentes de calor ni los exponga al fuego. Esto podría averiarlos y provocar fallos de funcionamiento, incendios o situaciones peligrosas;

### **⚠ ATENCIÓN !**

**La unidad no debe estar conectada a la fuente de alimentación durante la limpieza, mantenimiento y sustitución de componentes. Si el dispositivo de desconexión no estuviera a la**

## **vista, cuelgue un cartel que indique: “MANTE- NIMIENTO EN CURSO”:**

todos los dispositivos deben estar conectados a una línea de alimentación eléctrica con puesta a tierra de seguridad incorporada;

el producto no puede ser considerado un sistema de protección eficaz contra las intrusiones. Si usted deseara una protección eficaz, es necesario integrar el automatismo con otros dispositivos;

el producto se puede utilizar exclusivamente después de haber realizado la “puesta en servicio” del automatismo, tal como previsto en el apartado “Ensayo y puesta en servicio del automatismo”;

instale en la red de alimentación del sistema un dispositivo de desconexión con una distancia de apertura de los contactos que permita la desconexión completa en las condiciones establecidas por la categoría de sobretensión III;

para la conexión de tubos rígidos o flexibles o prensaestopas, utilice racores de conformidad con el grado de protección IP55 o superior;

el sistema eléctrico que alimenta el automatismo debe responder a las normativas vigentes y debe estar realizado correctamente;

el dispositivo puede ser utilizado por niños mayores de 8 años de edad, y por personas con capacidades físicas, sensoriales o mentales reducidas, o sin experiencia ni conocimientos necesarios, siempre y cuando estén supervisados, o una vez que hayan sido instruidos sobre el uso seguro del dispositivo y hayan comprendido los peligros que entraña;

antes de poner en marcha el automatismo, asegúrese de que no haya ninguna persona en las cercanías;

antes de limpiar o mantener el automatismo, desconecte la corriente eléctrica;

tenga mucho cuidado para evitar el aplastamiento entre la parte guiada y los elementos fijos de alrededor;

controle que los niños no jueguen con el dispositivo;

el motor no debe usarse con puertas que tengan aberturas que superen los 50 mm de diámetro o que tengan bordes o partes salientes en las que una persona pueda asirse o pararse;

el dispositivo no puede ser utilizado con una puer-

ta automatizada que incorpora una puerta peatonal.

en caso de detección de obstáculos durante la maniobra de cierre, la puerta invierte la dirección de marcha, liberando el obstáculo hasta que se abre completamente;

instale cualquier control fijo a una altura de al menos 1,5 m y al alcance de la vista de la puerta pero lejos de las partes móviles;

fije las etiquetas de advertencia contra el atrapamiento de forma permanente en un lugar a la vista o cerca de cualquier control fijo (Fig. 1 Pág. 54);

Después de la instalación, verifique que el mecanismo esté ajustado correctamente y que el motor invierta la marcha o que sea posible retirar del suelo un objeto de 50 mm de altura cuando la puerta entra en contacto con el mismo (para motores que incorporan un sistema de protección contra atrapamientos, dependiendo del contacto con el borde inferior de la puerta

Después de la instalación, compruebe que la parte no invada la acera o vía pública

cuando el aparato incorpora un pulsador de parada separado, este estará claramente identificado.

### **⚠ ATENCIÓN !**

**Examinar periódicamente la instalación para comprobar desequilibrios y signos de desgaste mecánico, daños a los cables, muelles, piezas de sostén.**

**No utilizar si es necesario reparar o ajuste.**

### **⚠ ATENCIÓN !**

**Los componentes del embalaje (cartón, plástico, etc.), debidamente separados, se depositarán en los contenedores correspondientes. Los componentes del dispositivo como placas electrónicas, partes metálicas, baterías, etc. deben estar separados y diferenciados. Para los métodos de eliminación, se deben aplicar las normas vigentes en el lugar de instalación. ¡NO DESECHE EN EL MEDIO AMBIENTE!**



**KEY AUTOMATION se reserva la facultad de modificar estas instrucciones de ser necesario, esta versión o aquella superior se pueden encontrar en la web [www.keyautomation.com](http://www.keyautomation.com)**



## 2 - INTRODUCCIÓN AL PRODUCTO

### 2.1 - Descripción del producto

Halo es un motorreductor electromecánico irreversible adecuado para automatizar puertas basculantes de hasta 17 m<sup>2</sup> y seccionales de hasta 19 m<sup>2</sup>. Halo incorpora un encoder, una central de mando y un receptor de 4 canales. La guía está preensamblada con correa, en una sola pieza o 3 piezas.

Una guía especial de aluminio, con recubrimiento en polvo y con

LED integrados, permite la iluminación del garaje tanto durante el funcionamiento del automatismo como en cualquier otro momento.

La forma aplanada del cuerpo del motor también permite instalarlo en una posición menos invasiva, cerca del dintel de la puerta y del eje portamuelles.

### 2.2 - Composición

El sistema de automatización para puertas de garaje está contenido en dos cajas que incluyen el paquete del sistema de automatización y el paquete de la guía:

FIG. 1 contenido del paquete del cabezal del motor con la lista

de componentes

FIG. 2 guía LED

FIG. 3 guía de acero en una sola pieza

FIG. 4 guía de acero en 3 piezas

### 2.3 - Modelos y características técnicas

CÓDIGO	DESCRIPCIÓN	POTENCIA
900HA8	Para puertas seccionales de hasta 11 m <sup>2</sup> (con guía de 3 m) u 12 m <sup>2</sup> (con guía de 4 m), motor de 24 Vcc y central con receptor integrado, fuerza 800N y alimentación de 230 Vca	800N
900HA12	Para puertas seccionales de hasta 16 m <sup>2</sup> (con guía de 3 m) u 19 m <sup>2</sup> (con guía de 4 m), motor de 24 Vcc y central con receptor integrado, fuerza 1200N y alimentación de 230 Vca	1200N
900HA12E	Para puertas seccionales de hasta 16 m <sup>2</sup> (con guía de 3 m) u 19 m <sup>2</sup> (con guía de 4 m), motor de 24 Vcc y central con receptor integrado, fuerza 1200N y alimentación de 230 Vca	1200N
900HA12L	Para puertas seccionales de hasta 16 m <sup>2</sup> (con guía de 3 m) u 19 m <sup>2</sup> (con guía de 4 m), motor de 24 Vcc y central con receptor integrado, fuerza 1200N, 120 Vac	1200N

#### COMPATIBILIDAD CABEZA/GUÍA

	HA8	HA12 - HA12E - HA12L
900RAB31	X	X
900RAB3X1P	X	X
900RAB41	X	X
900RAB61		X
900RAL31		X
900RAL41		X

DATOS TÉCNICOS	900HA8	900HA12	900HA12E	900HA12L
Velocidad	15 cm/s	15 cm/s	15 cm/s	15 cm/s
Fuerza	800 N	1200 N	1200 N	1200 N
Ciclos/hora máximos <sup>(1)</sup>	20	20	20	20
Ciclos consecutivos/hora máx. <sup>(1)</sup>	10	10	10	10
Potencia nominal	80w	100w	100w	100w
Potencia stand-by	5,5 W	5,5 W	<0,5 W	5,5 W
Alimentación	230vac (±10%) 50hz	230vac (±10%) 50hz	230vac (±10%) 50hz	120vac (±10%) 50/60hz
Luz intermitente	3 W Max	3 W Max	3 W Max	3 W Max
Luz de cortesía en guía con LED integrados	-	40 W Max	40 W Max	40 W Max
Salida de alimentación accesorios	100mA (24 Vdc no regulados)			
Fusible 1 línea de alimentación	1AT	1AT	1AT	2AT
N.º máx. de transmisores memorizables ROLLING CODE	90	90	90	90
Grado de protección	IP 20	IP 20	IP 20	IP 20
Uso en atmósfera particularmente ácida, salina o explosiva	No	No	No	No
Medidas (A-L-H)	235-330-84 mm	235-330-84 mm	235-330-84 mm	235-330-84 mm
Peso	6,25 Kg	6,8 Kg	6,8 Kg	6,8 Kg
Temperatura de servicio	-10°C/+45°C	-10°C/+45°C	-10°C/+45°C	-10°C/+45°C
Dimensión máxima de la puerta	12 m <sup>2</sup>	19 m <sup>2</sup>	19 m <sup>2</sup>	19 m <sup>2</sup>
Peso máximo de la puerta	120 Kg	200 Kg	200 Kg	200 Kg

<sup>(1)</sup> para puerta de hasta 2 m de altura

## LÍMITES DE USO

Seccional	Basculante desbordante
-----------	------------------------

## 900HA8 con guía de 3 m

S max=11m <sup>2</sup> H max = 2,6m	S max=10m <sup>2</sup> H max = 3m
--	--------------------------------------

## 900HA8 con guía de 4 m

S max=12m <sup>2</sup> H max = 3,6m	S max=11m <sup>2</sup> H max = 3,4m
--	--

## LÍMITES DE USO

Seccional	Basculante desbordante
-----------	------------------------

## 900HA12, 900HA12E, 900HA12L con guía de 3 m

S max=16m <sup>2</sup> H max = 2,6m	S max=16m <sup>2</sup> H max = 3m
--	--------------------------------------

## 900HA12, 900HA12E, 900HA12L con guía de 4 m

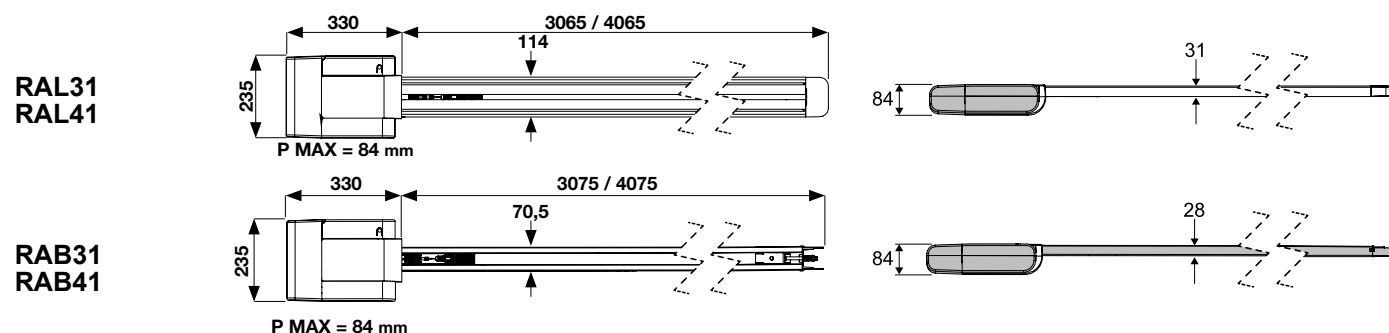
S max=19m <sup>2</sup> H max = 3,6m	S max=17m <sup>2</sup> H max = 3,4m
--	--

## 2.4 - Especificaciones técnicas

## Modelo y uso recomendado - Guía y medidas disponibles

MODELO	MATERIAL	NOTAS	TIPO TRACCIÓN	LONGITUD TOTAL	CARRERA DE LA GUÍA
900RAL31	Aluminio	Con iluminación con LED integrados	Correa	3090 mm (1x3m)	2660 mm
900RAL41	Aluminio	Con iluminación con LED integrados	Correa	4090 mm (1x4m)	3660 mm
900RAB3X1P	Acero		Correa	3100 mm (3x1.03m)	2670 mm
900RAB31	Acero		Correa	3100 mm (1x3.1m)	2670 mm
900RAB41	Acero		Correa	4100 mm (1x4.1m)	3670 mm
900RAB2X2P	Acero		Correa	4100 mm (2x2.05m)	3670 mm

Los datos indicados pueden variar de acuerdo con el deslizamiento y equilibrado de la puerta y del tipo de guía utilizada.



## 2.5 - Lista de los cables necesarios

En el sistema típico los cables necesarios para las conexiones de los distintos dispositivos están indicados en la tabla lista de los cables. Los cables utilizados deben ser adecuados para el tipo de

instalación; por ejemplo, se recomienda un cable H03VV-F para interiores o H07RN-F para exteriores.

## TABLA LISTA DE LOS CABLES

CONEXIÓN	TIPO DE CABLE	LONGITUD MÁXIMA ADMITIDA
Línea eléctrica de alimentación	Schuko CEE 7/4	
Luz intermitente, luz de cortesía	1 x cable 3 x 0,5 mm <sup>2</sup>	20 m
Antena	1 x cable tipo RG58	20 m (recomendado < 5 m)
Fotocélulas transmisor	1 x cable 2 x 0,5 mm <sup>2</sup>	20 m
Fotocélulas receptor	1 x cable 4 x 0,5 mm <sup>2</sup>	20 m
Banda sensible radio (*)	1 x cable 4 x 0,5 mm <sup>2</sup>	< 2 m
Selector de llave	1 x cable 2 x 0,5 mm <sup>2</sup>	20 m

Si cerca del aparato no hubiera ninguna toma de corriente adecuada, póngase en contacto con personal cualificado para su instalación.

(\*): tome como referencia las instrucciones del fabricante

### 3 - CONTROLES PRELIMINARES

Antes de instalar el producto, compruebe y controle lo siguiente:

- Controle que la puerta sea adecuada para ser automatizada
- El peso y las medidas de la puerta deben estar dentro de los límites de uso especificados para el automatismo donde se instala el producto
- Controle la presencia y solidez de los topes mecánicos de seguridad de la puerta
- Compruebe que la zona de fijación del producto no pueda inundarse
- Las condiciones de alta acidez o salinidad o la cercanía a fuentes de calor podrían causar fallos de funcionamiento en el producto
- En caso de condiciones climáticas extremas (por ejemplo nieve, helada, excursión térmica elevada, altas temperaturas) podrían aumentar las fricciones y, por lo tanto, la fuerza necesaria para el movimiento y el punto de arranque inicial podrían ser superiores a

los necesarios en condiciones normales

- Controle que el movimiento manual de la puerta sea fluido y no tenga zonas de fricción y que no exista el riesgo de descarrilamiento de la misma
- Controle que la puerta esté equilibrada y que no se mueva al soltarla en cualquier posición
- Compruebe que la línea eléctrica a la que se debe conectar el producto tenga una puesta a tierra de seguridad correcta y esté protegida por un dispositivo magnetotérmico y diferencial
- Instale en la red de alimentación del sistema un dispositivo de desconexión con una distancia de apertura de los contactos que permita la desconexión completa en las condiciones establecidas por la categoría de sobretensión III
- Compruebe que todo el material utilizado para la instalación sea conforme a las normativas vigentes.

### 4 - INSTALACIÓN DEL PRODUCTO

#### 4.1 - Ensamblaje e instalación de Halo con guía de LED

Antes de comenzar el ensamblaje, compruebe tener a disposición todas las herramientas necesarias (FIG. 5).

Coloque la guía sobre una superficie plana, protegiéndola contra posibles arañazos. Quite la tapa de plástico y extraiga el contenido.

Deslice la polea de reenvío hasta que el tornillo sobresalga del extremo de la guía, desenrosque la tuerca, introduzca el muelle de tensión y apriete la tuerca hasta tensar la correa (FIG. 6, 7). Acerque el cabezal a la guía y apóyelo sobre una superficie plana, protegiendo la cubierta inferior contra posibles arañazos. Quite la cubierta trasera presionando sobre los dos puntos indicados (FIG. 8).

Quite la cubierta blanca (FIG. 9), corte con un cúter los dos rectángulos en la cubierta blanca y quítelos (FIG. 10).

Abra la tapa indicada, cortando el plástico con un cúter y levántala delicadamente (FIG. 11), luego introduzca la tarjeta de regulación de los LED (contenida en el paquete de la guía) con los cables ya conectados (FIG. 2, 12). Cierre la tapa delicadamente. Coloque los cables en las ranuras correspondientes, introduciendo el cable sin conector en el orificio indicado (FIG. 12).

Introduzca el adaptador de metal dentro del orificio de la guía ayudándose con un martillo de goma (FIG. 13) y luego introduzca la guía en el cabezal, procurando hacer coincidir el elemento estriado del adaptador con aquellos del eje del motor (FIG. 14) y conecte el conector (FIG. 15).

#### ¡ATENCIÓN!

**Compruebe que los cables estén dentro de sus alojamientos antes de colocar y apretar la placa superior (FIG. 16) para evitar aplastarlos. Apriete los 4 tornillos en cruz.**

Abra la tapa lateral, retire el cable y conecte los cables a la central (FIG. 17). Cierre la tapa.

Apoye el motor sobre el eje portamuelles (FIG. 18), levante la guía paralela al suelo, mida la distancia A (distancia entre la guía y el techo) y luego corte la varilla roscada a la medida **A - 5 cm** (FIG. 19). La varilla roscada y los componentes de fijación están incluidos en la guía de LED.

Ensamble los componentes de la varilla roscada (FIG. 20). Fije la varilla roscada al techo con tornillos o tacos de anclaje adecuados (no incluidos) (FIG. 21). Ensamble e introduzca la parte inferior del soporte en la guía haciéndola deslizar por las ranuras (FIG. 22), luego introduzca la tapa de plástico en la guía.

Conecte la varilla roscada a la tuerca hexagonal alta de la guía, girando la varilla hasta que entre 1 cm aproximadamente y así tener la guía perfectamente horizontal. Luego apriete las tuercas con la

secuencia indicada (FIG. 23).

Introduzca los tornillos largos y enrósquelos con la mano, para que las tuercas entren dentro del alojamiento (FIG. 24). Deje que los tornillos sobresalgan unos pocos milímetros, para poder introducir el soporte en el agujero alargado correspondiente. Utilice el agujero alargado para colocar el soporte en el dintel y marque las posiciones de los agujeros (FIG. 25).

Desplace el motor hacia un lado y fije el soporte con tornillos y tacos de anclaje adecuados (no incluidos) (FIG. 26).

Vuelva a colocar el motor en el soporte.

#### ¡ATENCIÓN!

**Ahora enrosque los tornillos laterales largos sin apretarlos hasta el fondo (FIG. 38). No apriete con fuerza para no romper el alojamiento de las tuercas.**

Enrosque las contratuercas (FIG. 27) y apriételas hasta el fondo, teniendo firmes los tornillos con una llave hexagonal.

#### ¡ATENCIÓN!

**No gire los tornillos para evitar que se rompan los alojamientos de las tuercas, gire solo las contratuercas para apretarlas.**

Fije las mordazas inferiores (FIG. 28).

Fije el soporte a la parte superior de la puerta, en posición central (FIG. 29) y exactamente en el centro del soporte en forma de C (FIG. 26). Tome las medidas indicadas (TAB. 1A) y arme el brazo de conexión con las piezas indicadas (TAB. 2).

Desbloquee el carro utilizando el tirador de desbloqueo (FIG. 30).

Tire del puente del carro, introduzca el brazo curvo y su perno en el interior (FIGS. 31, 32, 33, 34) y apriete los 2 tornillos de cabeza avellanada de cierre del puente. Enrosque también los 2 tornillos de cabeza avellanada simétricamente al otro extremo del carro.

Conecte el brazo a la puerta (FIG. 35), luego rearme el carro moviendo el tirador de desbloqueo para que la palanca se retraiga y lo bloquee, y mueva la puerta manualmente hasta que se enganche (FIG. 36).

Retire los protectores adhesivos transparentes de los perfiles difusores de los LED y de la guía (FIG. 37).

Tras haber realizado la programación (apartados siguientes), apriete el tornillo de seguridad (FIG. 52) e introduzca la cubierta blanca (FIG. 53).

#### 4.2 - Ensamblaje de la guía en 3 partes

Ensamble la guía (FIG. 4) y tire de la correa (FIG. 7)

#### 4.3 - Ensamblaje de la guía única

Tire de la correa (FIG. 7)

#### 4.4 - Conexión del cuerpo del motor a las guías de acero

Siga las instrucciones del apartado 4.1 (FIGS. 13, 14, 16)

#### 4.5 - Instalación con cuerpo del motor en dintel



**¡ATENCIÓN!**

Para todo aquello no indicado, consulte el apartado 4.1

Siga las instrucciones del apartado 4.1 de la FIG. 25, pero conectando el soporte en el agujero solo y no en el agujero alargado (FIG. 38) y siguiendo las indicaciones de la TAB. 1B y TAB. 2. Luego siga las instrucciones del apartado 4.1

#### 4.6 - Instalación clásica



**¡ATENCIÓN!**

Para todo aquello no indicado, consulte el apartado 4.1



**¡ATENCIÓN!**

**¡NO DESMONTE LA CUBIERTA TRASERA!**

Fije el soporte al dintel (FIG. 26), luego conecte la guía de acero utilizando uno de los dos tornillos largos suministrados (FIG. 39) y siguiendo las indicaciones de la TAB. 1C y TAB. 2.

Levante la guía colocándola paralela al suelo, mida la distancia A y luego corte los dos soportes de techo como indicado: medida **A + 3 cm** (FIG. 40). Introduzca la placa de enganche rápido y conéctela a los soportes de techo (FIGS. 41, 42). Fije los soportes al techo utilizando tornillos y tacos de anclaje adecuados (no incluidos).

Siga las instrucciones del apartado 4.1 desde la FIG. 29 hasta la FIG. 35, introduciendo el brazo en el agujero alargado del carro que antes había abierto con el cúter (FIG. 43).

#### 4.7 - Apertura manual de la puerta

Si se cortara la corriente eléctrica y no tuviera una batería de compensación opcional, para desbloquear la automatización:

##### ETAPA DESCRIPCIÓN

1	Tire del tirador colocando la palanca de desbloqueo en posición vertical (FIG. 30)
2	Levante o baje la puerta manualmente
3	Para restablecer la automatización, mueva el tirador de manera que la palanca de desbloqueo vuelva a entrar completamente en el carro de arrastre (FIG. 36)
4	Levante o baje la puerta manualmente hasta que se enganche en la guía

#### 4.8 - Fijación del final de carrera de apertura de la guía LED

Desbloquee el carro, levante manualmente la puerta hasta colocarla en la posición de apertura máxima posible indicada **H - 10 cm** (FIG. 44).

Marque la posición de tope del carro con un lápiz (FIG. 45), luego haga un agujero con un taladro y fije con el tornillo (FIG. 46).

#### 4.9 - Fijación del final de carrera de apertura de la guía de acero

Desbloquee el carro, levante manualmente la puerta hasta colocarla en la posición de apertura máxima posible indicada **H - 10 cm** (FIG. 44).

Fije con fuerza el tope (FIG. 47).

#### 4.10 - Conexiones eléctricas



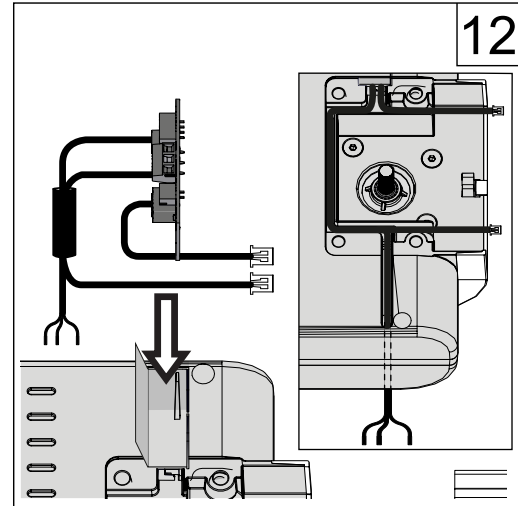
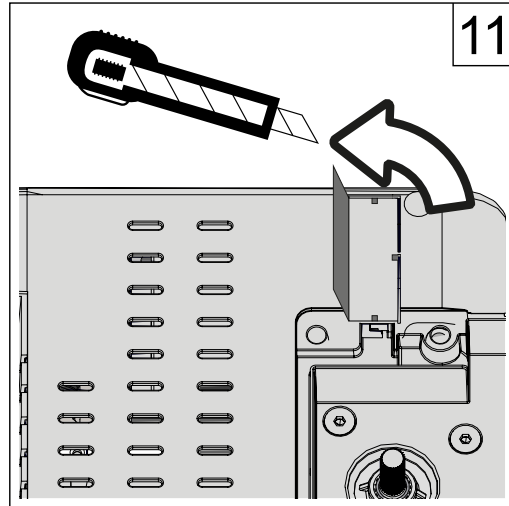
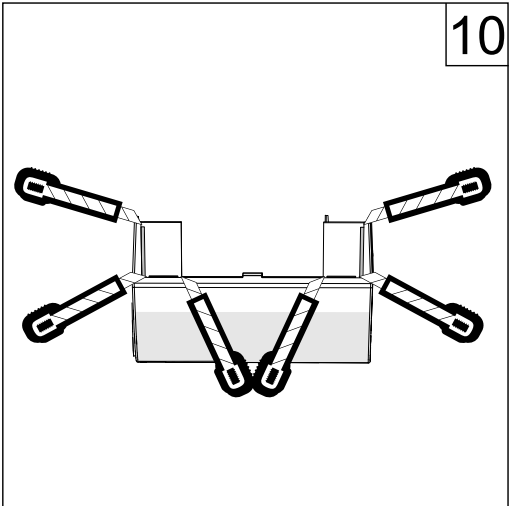
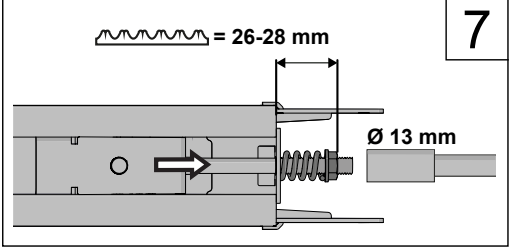
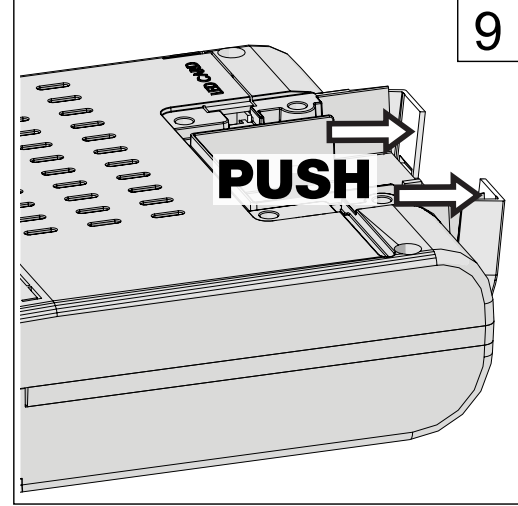
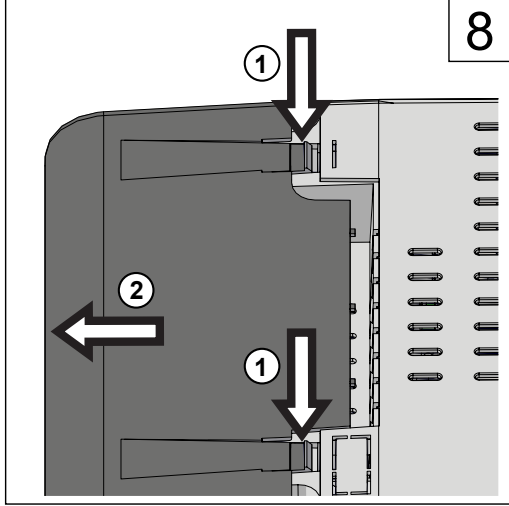
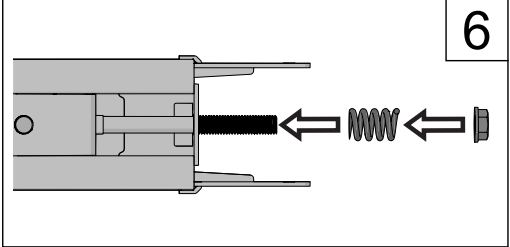
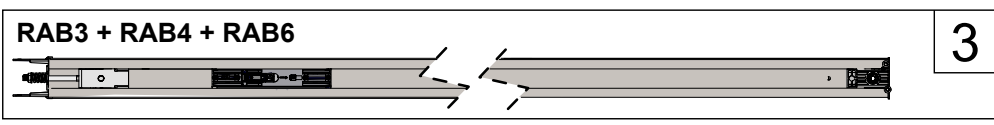
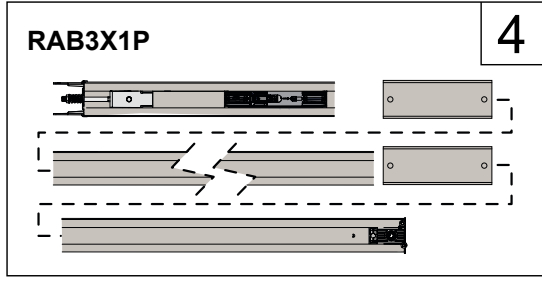
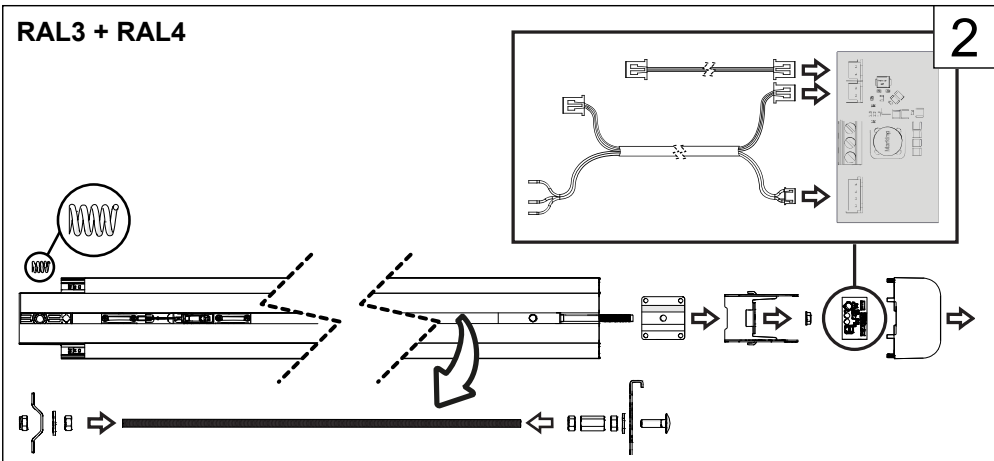
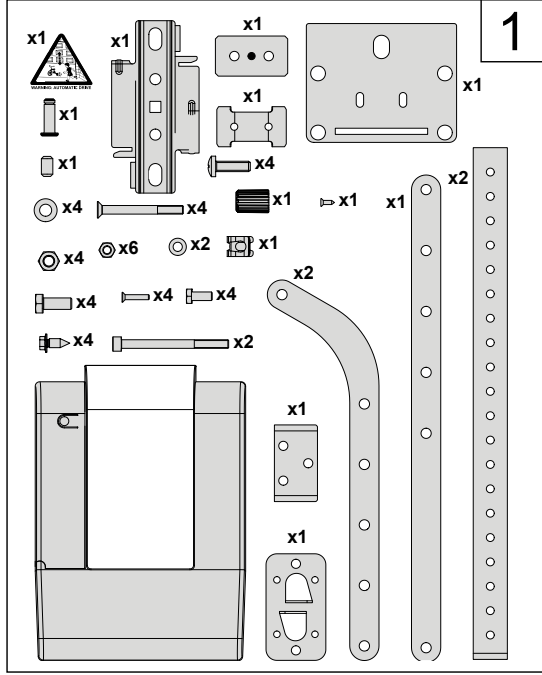
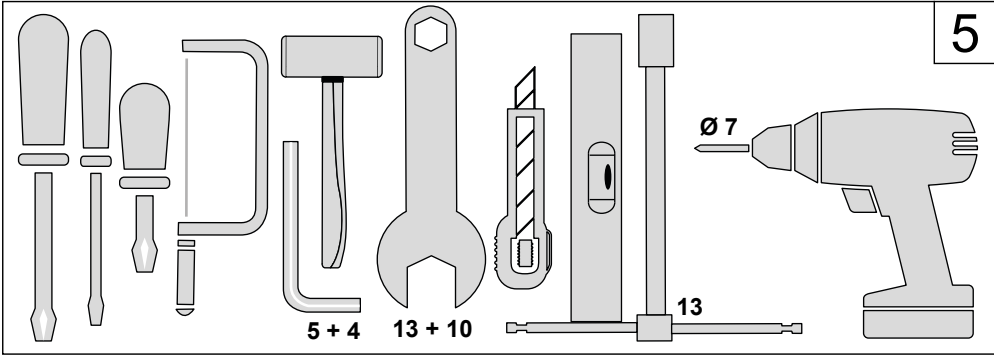
**¡ATENCIÓN!**

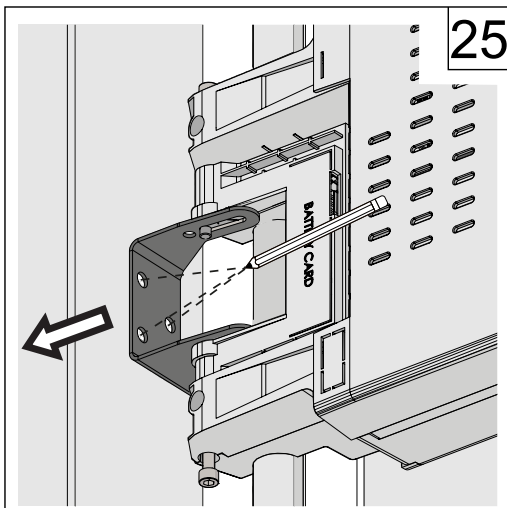
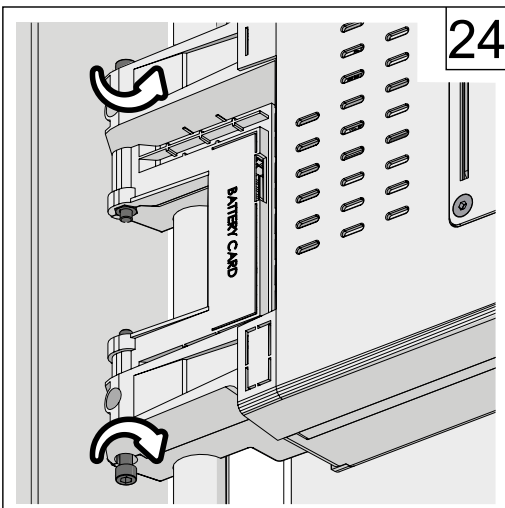
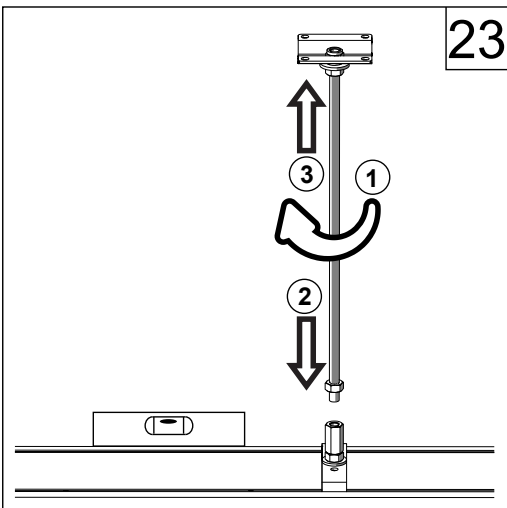
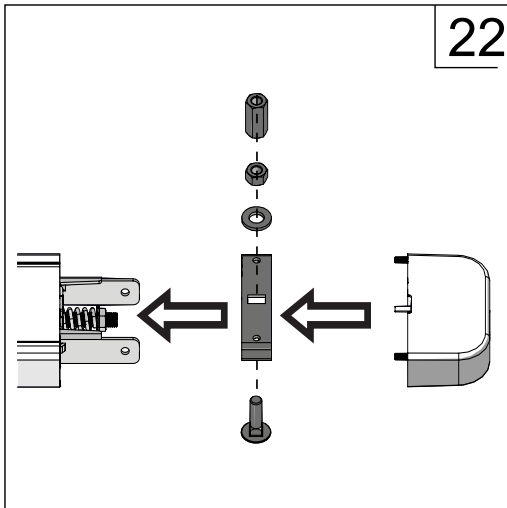
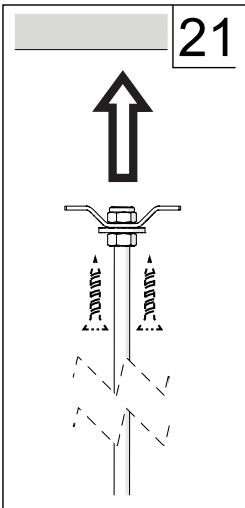
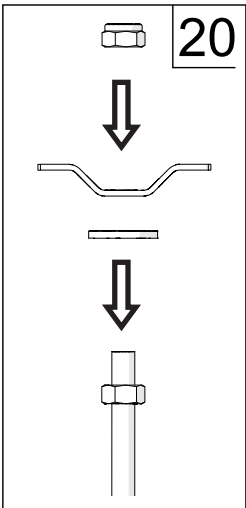
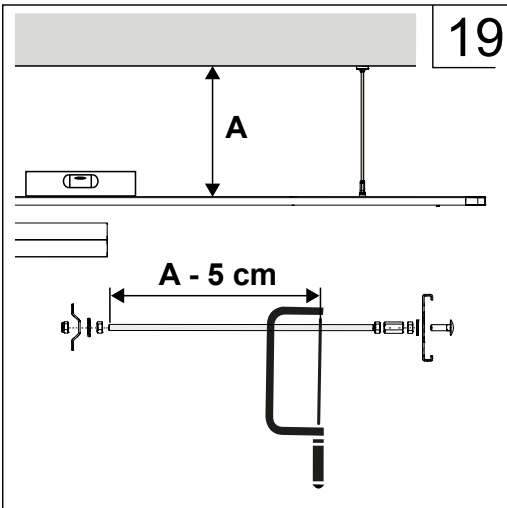
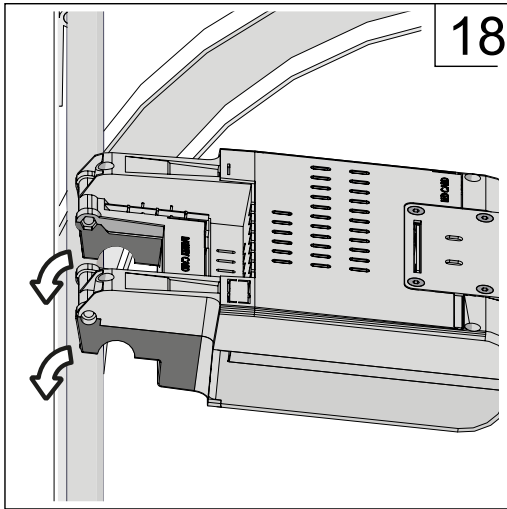
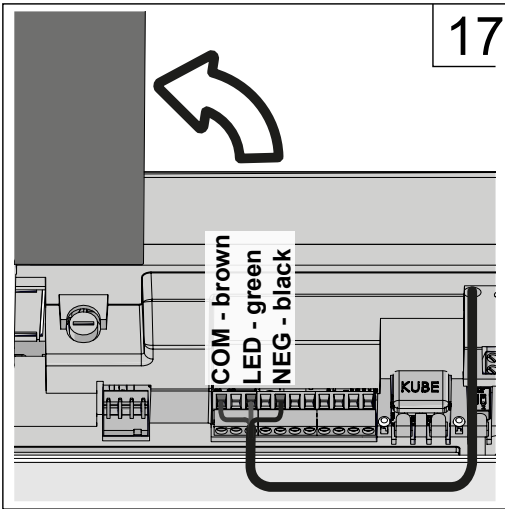
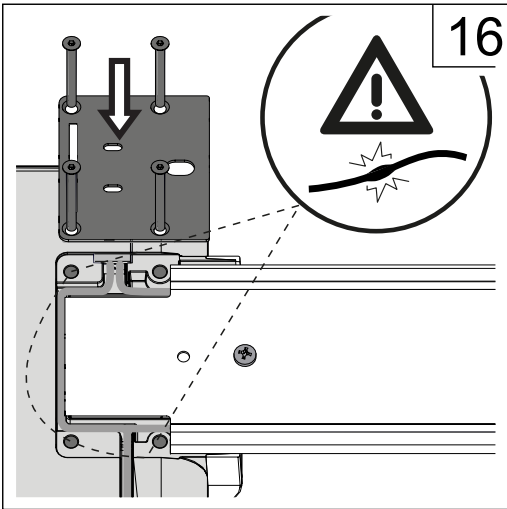
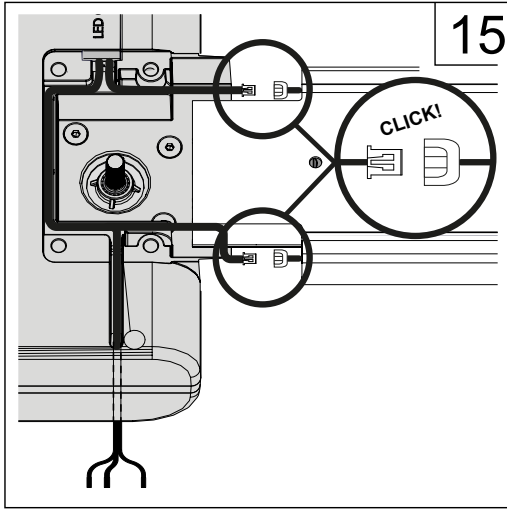
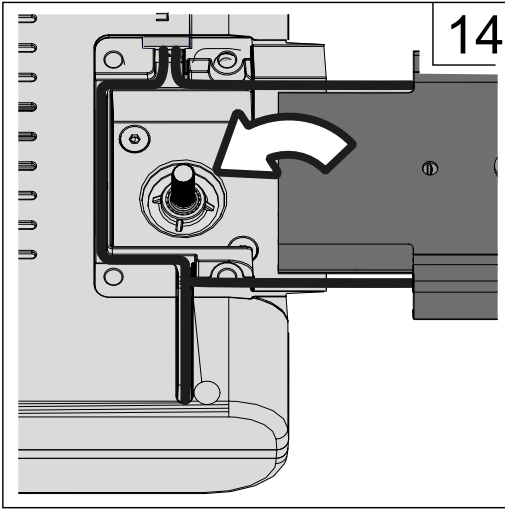
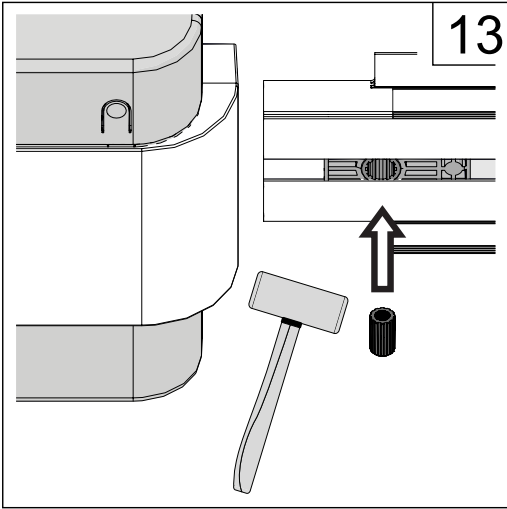
**Antes de realizar las conexiones, compruebe que la central no esté alimentada**

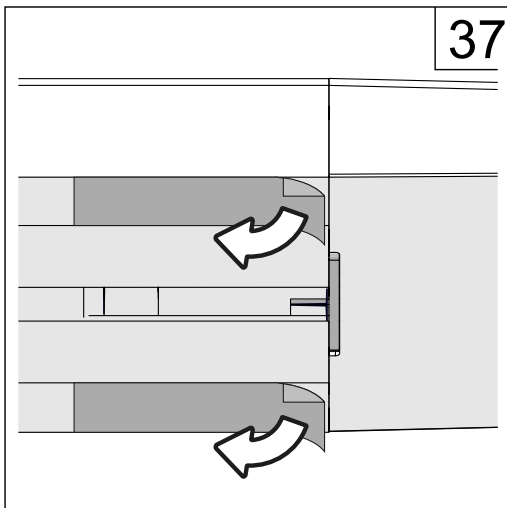
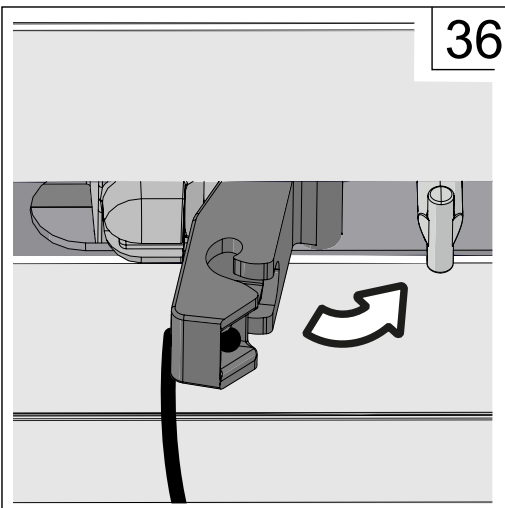
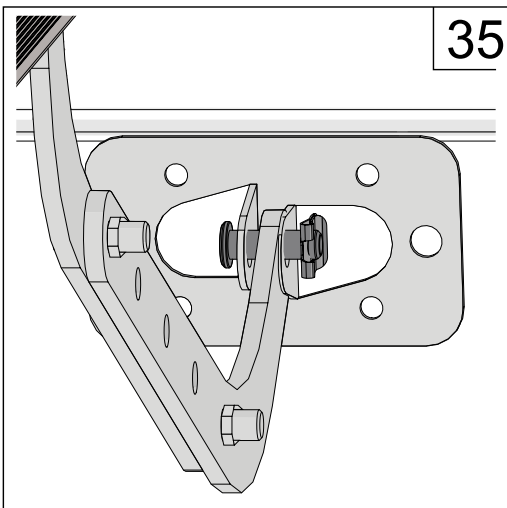
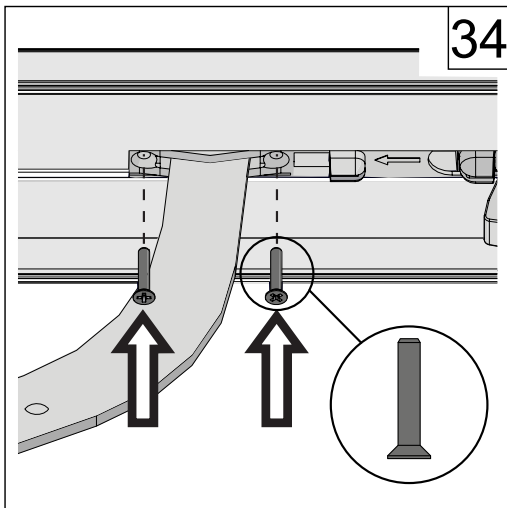
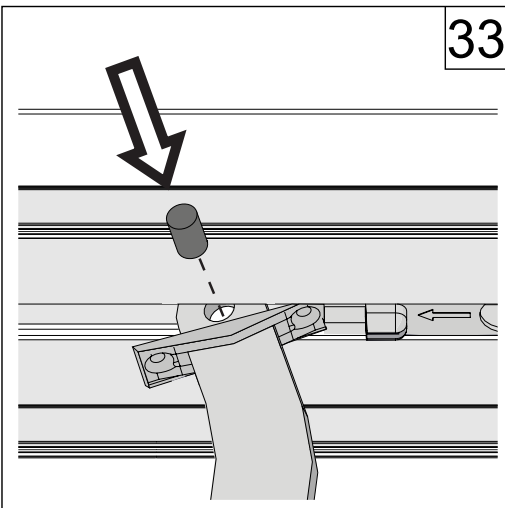
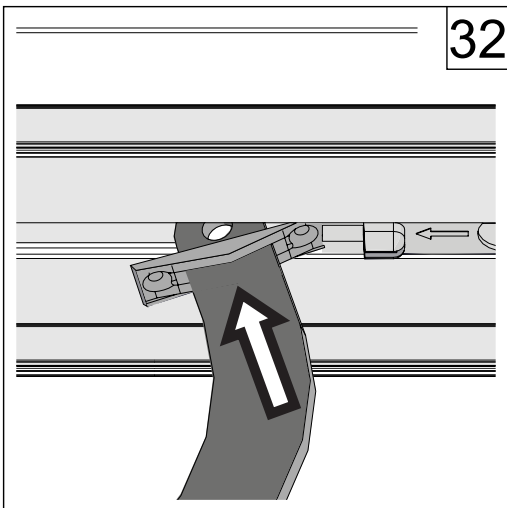
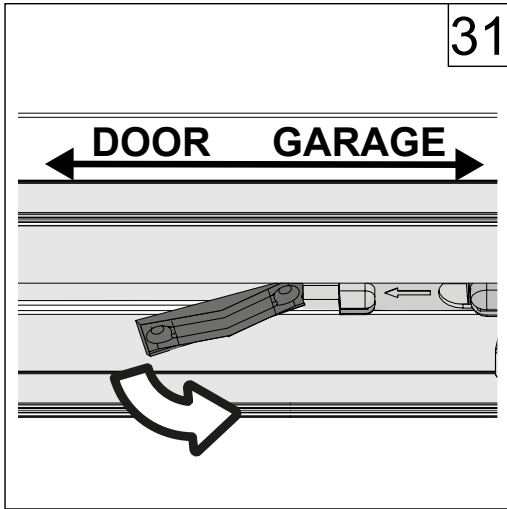
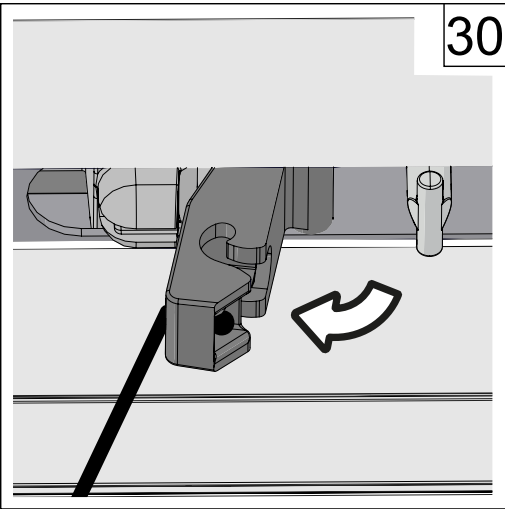
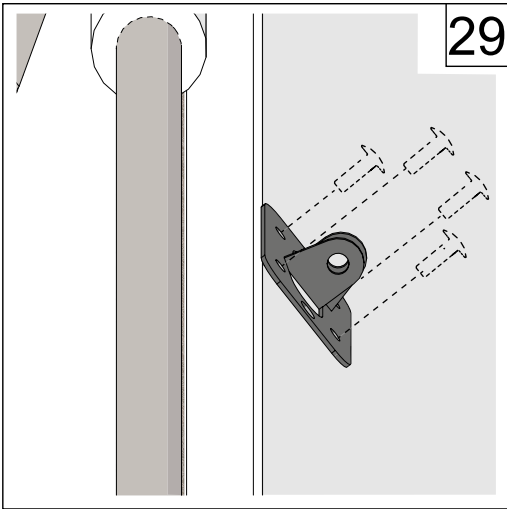
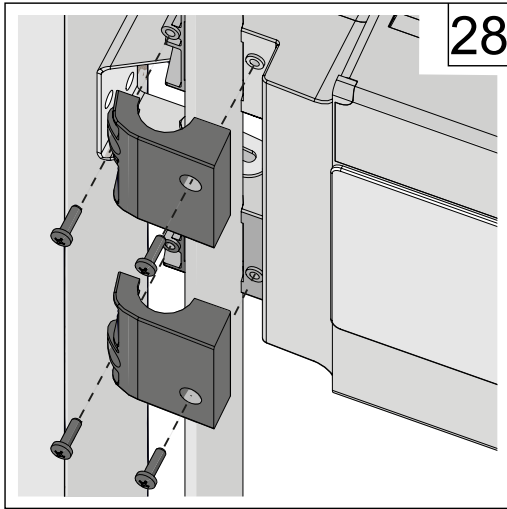
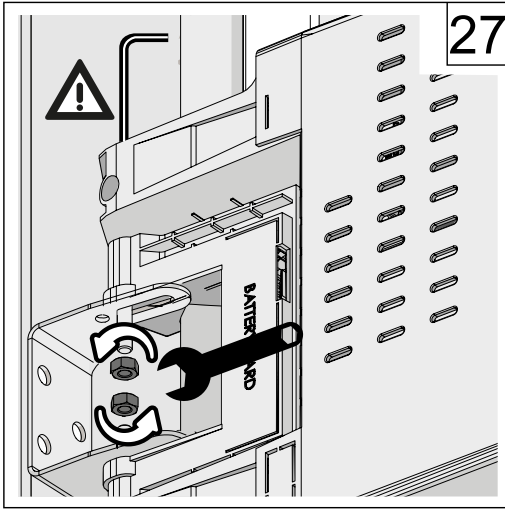
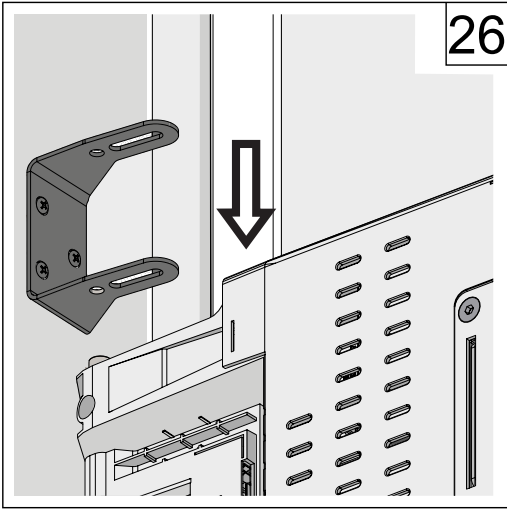
Realice las conexiones (FIG. 48).

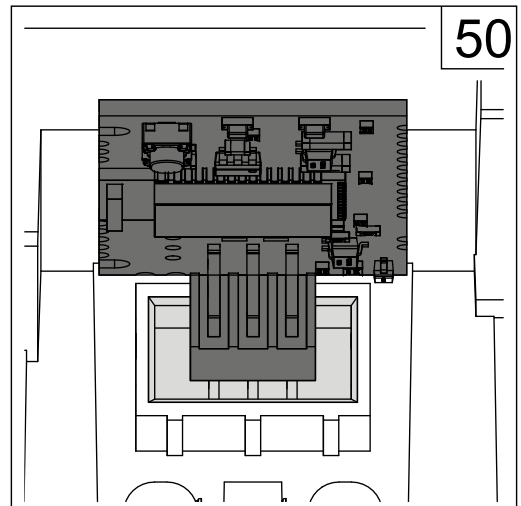
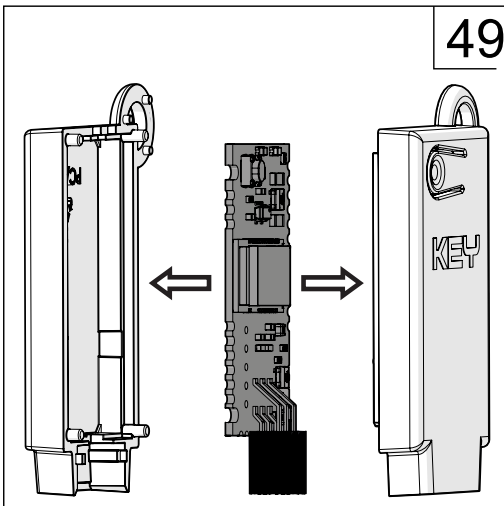
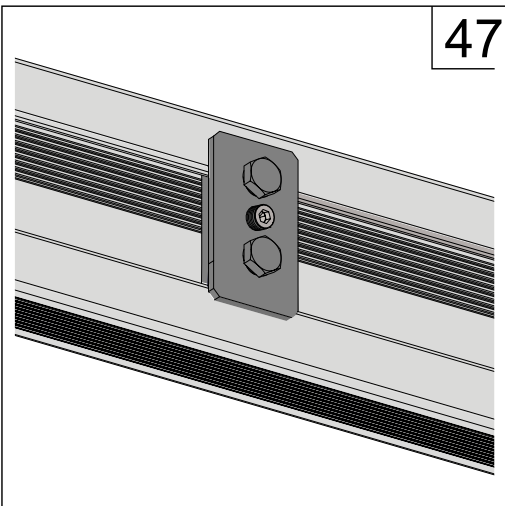
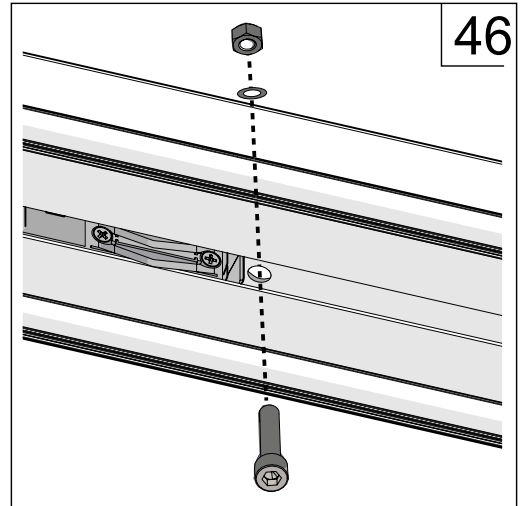
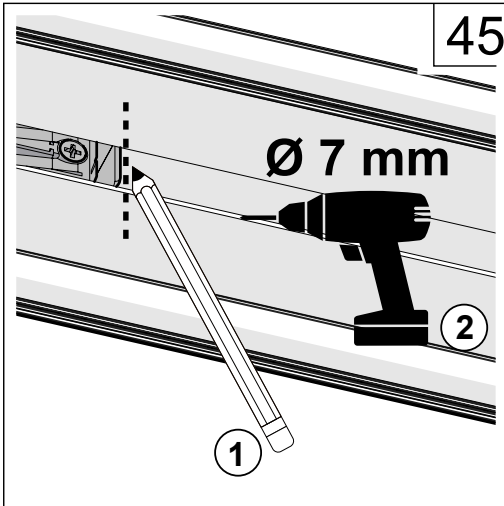
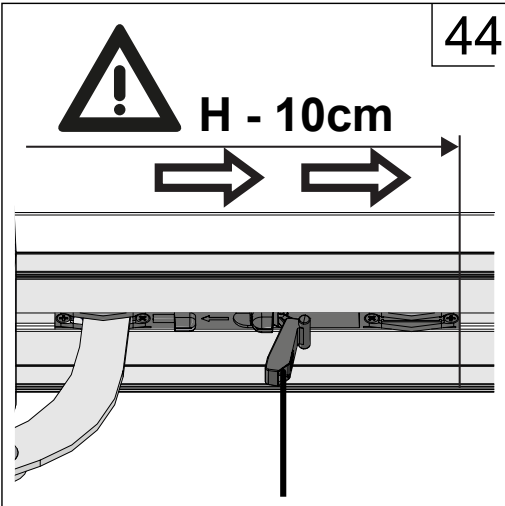
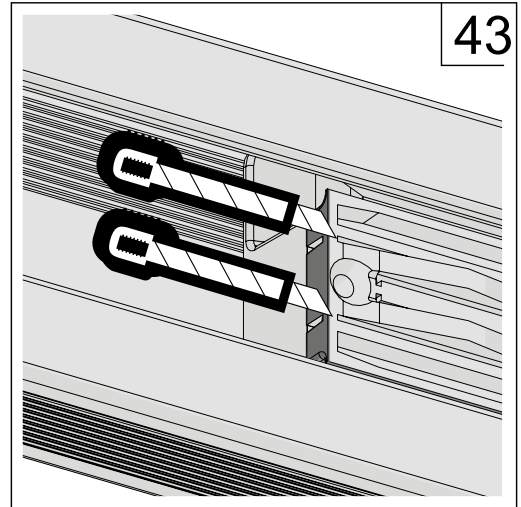
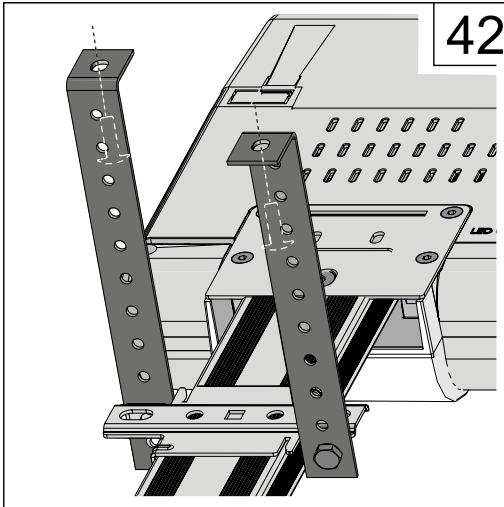
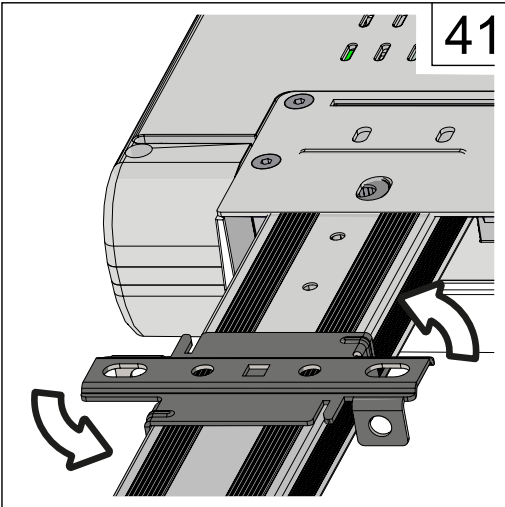
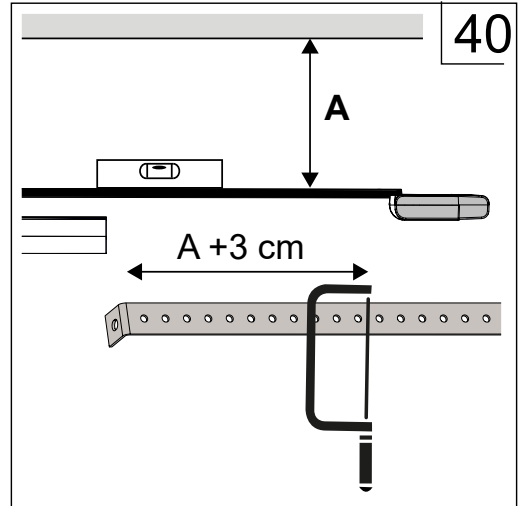
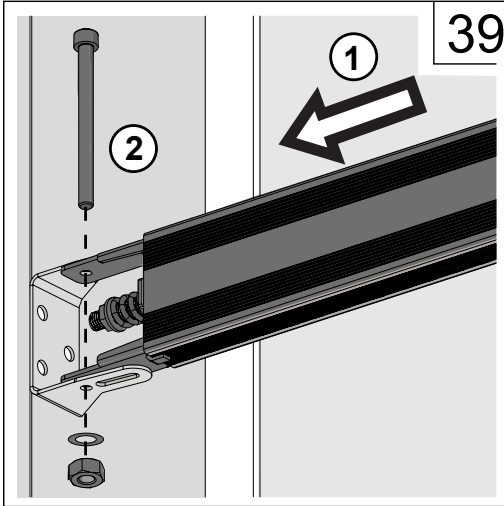
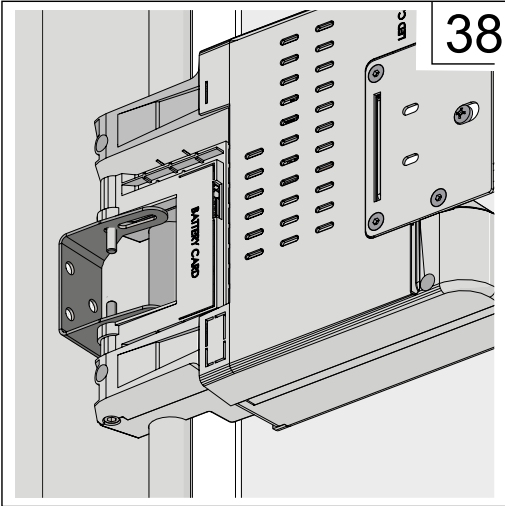
##### CONEXIONES ELÉCTRICAS

COM	Común salidas FLASH, LED
FLASH	Salida luz intermitente 24 Vcc (no regulado), máximo 3 W
LED	Salida luz de cortesía 24 Vcc (no regulado), máximo 20 W
PH-POW	Salida positivo alimentación fotocélulas, 24 Vcc (no regulado) máximo 100 mA
NEG	Salida negativo alimentación fotocélulas
PH	Fotocélulas (cierre) contacto NC entre PH y COM
EDGE/EDGE	Entrada banda sensible, contacto NC, resistivo 8k2 o resistivo doble 8k2 (paralelo)

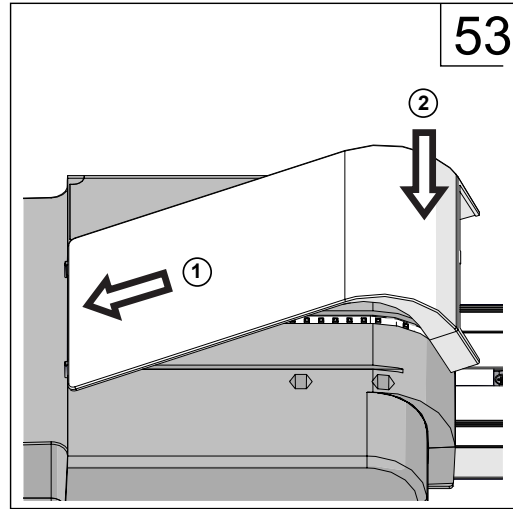
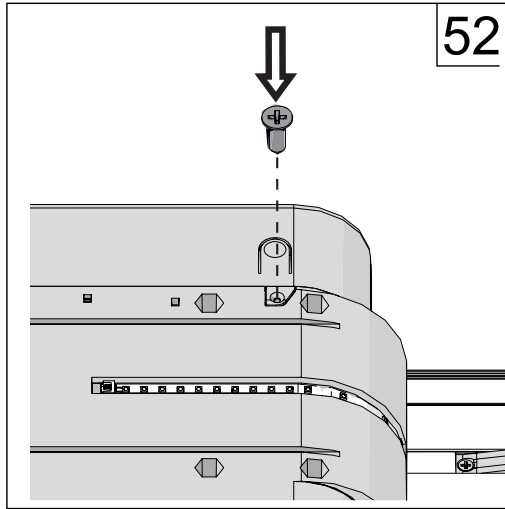
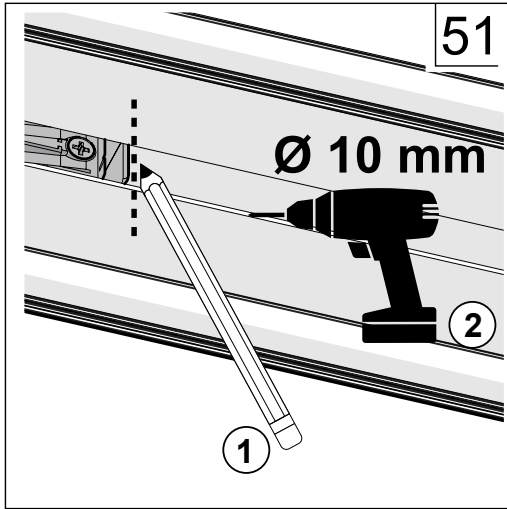
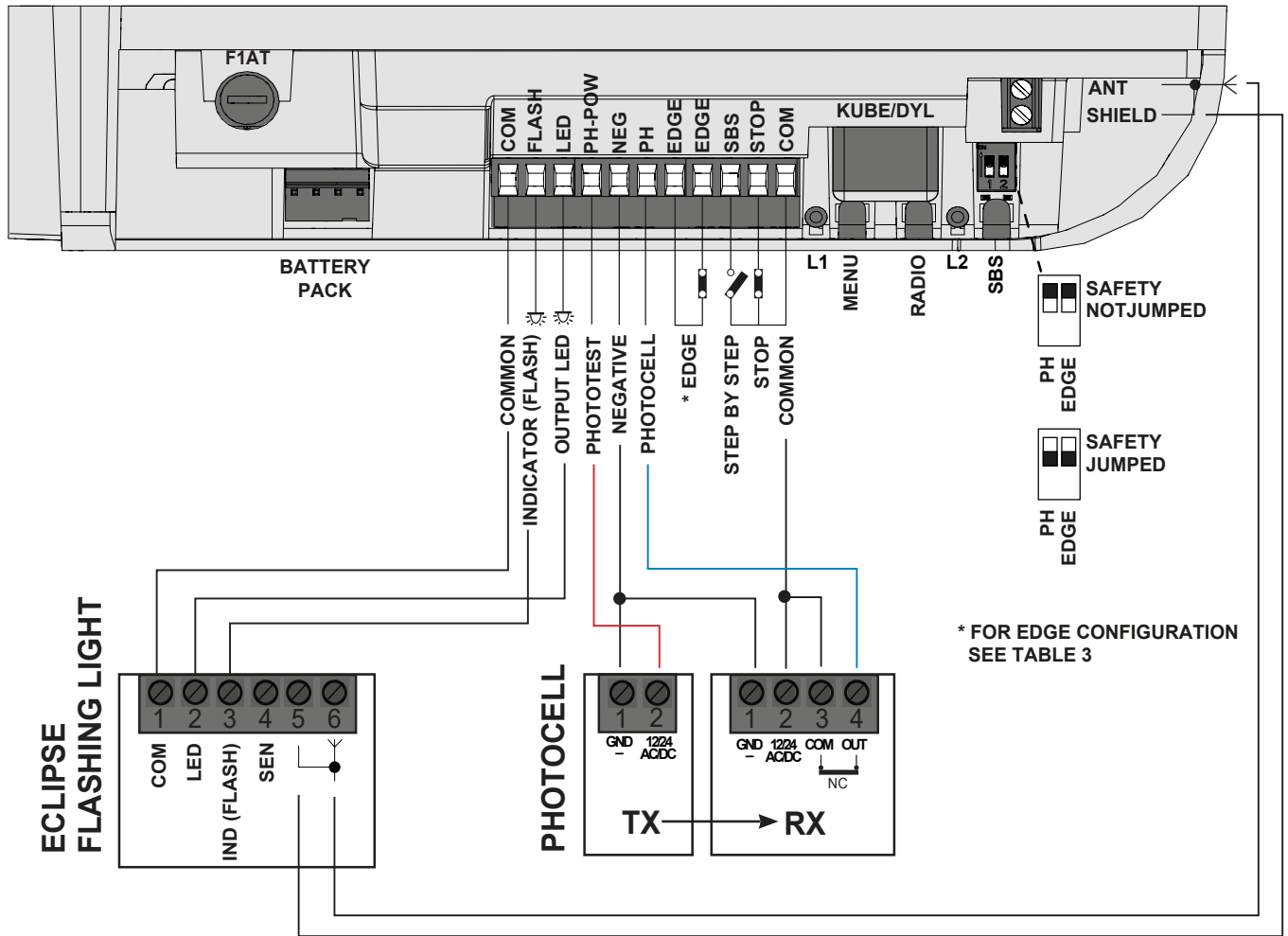


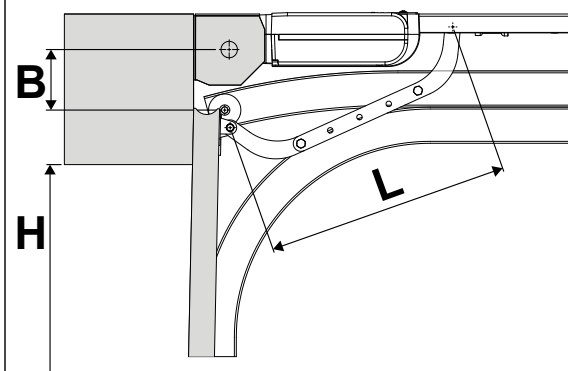




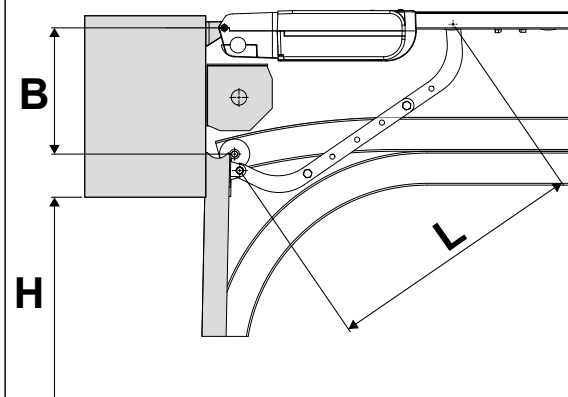




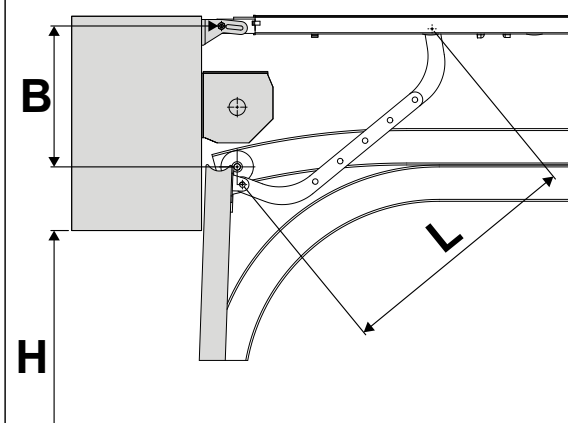


**TAB. 1A**


B (mm)	L (mm)	Arm Type	Clear passage H-10 cm [m]	Door Height H [m]	Note
90	380	L2	2,5	2,6	
110	380	L2	2,5	2,6	
130	430	L3	2,5	2,6	
150	430	L3	2,5	2,6	
170	430	L3	2,5	2,6	
190	430	L3	2,5	2,6	

**TAB. 1B**


B (mm)	L (mm)	Arm Type	Clear passage H-10 cm (m)	Door Height H (m)	Note
130	380	L2	2,5	2,6	door springs in the back
150	380	L2	2,5	2,6	
170	430	L3	2,5	2,6	
190	430	L3	2,5	2,6	
210	430	L3	2,5	2,6	
230	480	L4	2,5	2,6	
250	480	L4	2,5	2,6	
270	530	L5	2,5	2,6	
290	530	L5	2,5	2,6	
310	530	L5	2,5	2,6	

**TAB. 1C**


B (mm)	L (mm)	Arm Type	Clear passage H-10 cm (m)	Door Height H (m)	Note
110	300	L1	2,5	2,6	door springs in the back
130	300	L1	2,5	2,6	
150	300	L1	2,5	2,6	
170	300	L1	2,5	2,6	
190	380	L2	2,5	2,6	
210	380	L2	2,5	2,6	
230	380	L2	2,5	2,6	
250	430	L3	2,4	2,5	
270	430	L3	2,4	2,5	
290	480	L4	2,3	2,5	
310	480	L4	2,4	2,5	
330	530	L5	2,3	2,5	
350	580	L6	2,2	2,4	
370	580	L6	2,2	2,4	
390	630	L7	2,2	2,4	
410	630	L7	2,2	2,4	

IT- L'altezza di passaggio utile può variare, rispetto a quanto riportato nelle tabelle, in funzione delle diverse geometrie e curvature dei profili guida dei portoni sezionali

EN - The passage clearance may vary with respect to the dimensions shown in the tables according to the different geometry and curvature values of the sectional garage door rail profiles

FR - La hauteur de passage utile peut différer de celle indiquée sur le tableau en fonction des géométries et des courbures des profils de guidage des portails sectionnels

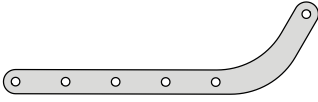
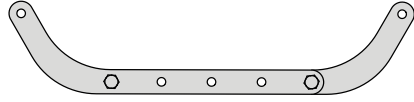
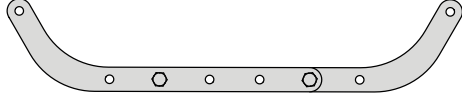
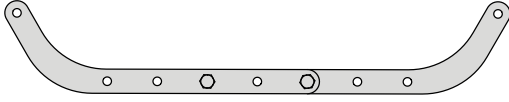
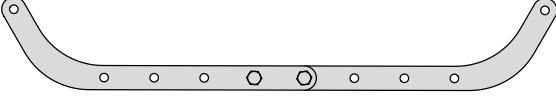
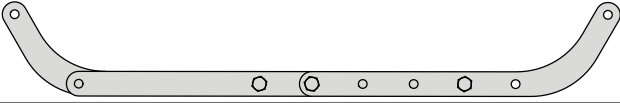
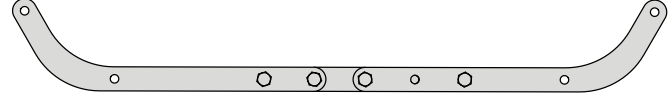
ES - La altura útil de paso puede variar respecto de la indicada en las tablas, en función de las diferentes geometrías y curvatura de los perfiles de guía de los portones seccionales

DE - Die Durchgangs-Nutzhöhe kann, anders als in den Tabellen angegeben, in Funktion der verschiedenen Geometrien und Biegungen der Führungsprofile der Sektionaltore unterschiedlich sein







PT - A altura de passagem útil pode variar, relativamente à referida nos quadros, consoante as diversas geometrias e curvaturas dos perfis de guia dos portões seccionados

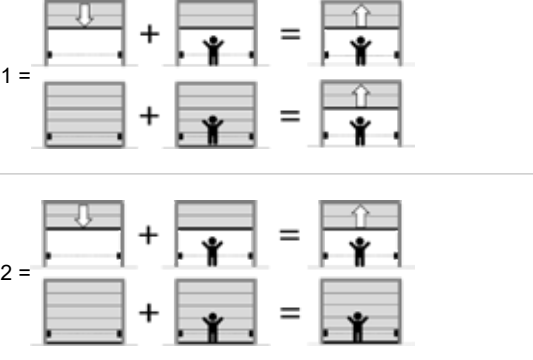
PL - Użytkowa wysokość przejścia może się zmieniać względem wskazówek w tabelach w zależności od geometrii i krzywizn profili prowadzących bramy segmentowych

**TAB. 2**

<b>L1</b>		<b>L= 300</b>
<b>L2</b>		<b>L= 380</b>
<b>L3</b>		<b>L= 430</b>
<b>L4</b>		<b>L= 480</b>
<b>L5</b>		<b>L= 530</b>
<b>L6</b>		<b>L= 580</b>
<b>L7</b>		<b>L= 630</b>

**TAB. 3**

	PARAMETERS	VALUES	DEFAULT
1	Automatic closing time (sec) Tempo chiusura automatica (sec.) Temps de fermeture automatique (sec.) Tiempo de cierre automático (s) Automatische Schließzeit (Sek.) Tempo de fecho automático (s) Czas zamykania automatycznego (sek.)	1 = off 2 = 5 sec 3 = 10 sec 4 = 20 sec 5 = 30 sec 6 = 60 sec 7 = 120 sec 8 = 180 sec 9 = 240 sec 10 = 600 sec	1 = off
2	Automatic closing time after passage on photocells (sec) Tempo di chiusura automatica dopo transito su fotocellule (sec) Temps de fermeture automatique après transit sur photocellules (sec.) Tiempo de cierre automático después del tránsito por fotocélulas (s) Automatische Schließzeit nach Transit auf Fotozellen (Sek.) Tempo de fecho automático após passagem pelas fotocélulas (s) Czas zamykania automatycznego po przejściu nad fotokomórkami (sek.)	1 = off 2 = 5 sec 3 = 10 sec 4 = 15 sec 5 = 20 sec 6 = 25 sec 7 = 30 sec	1 = off
3	Obstacle sensitivity Sensibilità su ostacolo Sensibilité à l'obstacle Sensibilidad sobre el obstáculo Empfindlichkeit auf Hindernis Sensibilidade em obstáculo Czułość wykrywania przeszkody	1 =  2 =  3 =  4 =  5 =  6 = 	4 = average sensitivity 4 = sensibilità media 4 = sensibilité moyenne 4 = sensibilidad media 4 = sensibilidade média 4 = mittlere Empfindlichkeit 4 = czułość średnia
4	Step by step or SBS Passo passo o SBS Pas-pas ou SBS Paso a paso o SBS Schrittbetrieb oder SBS Passo a passo ou SBS Krok po kroku lub SBS	1 = open/stop/close/stop 2 = open/close/stop 3 = open/close 4 = open only 5 = open only/close if fully open	1 = open/stop/close/stop

<p>5</p> <p>Photocells Fotocellule Photoceílules Fotocélulas Fotozellen Fotocélulas Fotokomórki</p>	 <p>1 =</p> <p>2 =</p> <p>3 =</p>	<p>2</p>
<p>6</p> <p>Safety sensitive edge Bordo sensibile di sicurezza Bord sensible de sécurité Banda sensible de seguridad Sicherheitsschaltleiste Borda sensível de segurança Listwa krawędziowa zabezpieczająca</p>	<p>1 = bord sensible 8k2 2 = bord sensible NC 3 = bord sensible 2x8k2</p>	<p>1 = 8k2 sensitive edge</p>
<p>7</p> <p>Photocell detection override Esclusione rilevazione fotocellula Exclusion détection photocellule Inhabilitación detección fotocélula Ausschaltung Fotozellenerkennung Exclusão deteção fotocélula Wyłączenie wykrywania przez fotokomórkę</p>	<p>1 = Detection always enabled 1 = Rilevazione sempre abilitata 1 = Détection toujours activée 1 = Detección siempre habilitada 1 = Erkennung immer eingeschaltet 1 = Deteção sempre habilitada 1 = Wykrywanie zawsze włączone 2 = 10 cm 3 = 20 cm 4 = 30 cm 5 = 40 cm 6 = 50 cm 7 = 60 cm 8 = 70 cm 9 = 80 cm 10 = 90 cm</p>	<p>1 = off</p>
<p>8</p> <p>Closing limit stop advance (cm) Anticipo fincorsa di chiusura (cm) Anticipation fin de course de fermeture (cm) Anticipación final de carrera de cierre (cm) Voreilung Schließendechalter (cm) Antecipaçào fim de curso de fecho (cm) Wyprzedzenie wyłącznika krańcowego zamykania (cm)</p>	<p>1 = off 2 = 0,5 cm 3 = 1 cm 4 = 1,5 cm 5 = 2 cm 6 = 2,5 cm 7 = 3 cm 8 = 3,5 cm 9 = 4 cm 10 = 4,5 cm 11 = 5 cm</p>	<p>1 = off</p>
<p>9</p> <p>Courtesy light time (minutes) Tempo luce di cortesia (minuti) Temps lumière de courtoisie (min.) Tiempo luz de cortesia (minutos) Zeit Umfeldleuchte (Minuten) Tempo da luz de cortesia (minutos) Czas działania światła odprowadzających (minuty)</p>	<p>1 = off 2 = 1 min 3 = 2 min 4 = 3 min 5 = 4 min 6 = 5 min 7 = 6 min 8 = 7 min 9 = 8 min 10 = 9 min</p>	<p>3 = 2 min</p>
<p>10</p> <p>Maintenance (number of cycles) Manutenzione (numero cicli) Entretien (nombre cycles) Mantenimiento (número de ciclos) Wartung (Anzahl Zyklen) Manutenção (número de ciclos) Konserwacja (liczba cykli)</p>	<p>1 = off 2 = 10.000 3 = 20.000 4 = 30.000 5 = 40.000 6 = 50.000 7 = 60.000 8 = 70.000 9 = 80.000 10 = 90.000 11 = 100.000</p>	<p>1 = off</p>

SBS	Mando PASO A PASO contacto NA entre SBS y COM Mando Abrir/Stop/Cerrar/Stop o de acuerdo con la selección software
STOP	STOP contacto NC entre STOP y COM. El contacto puede activarse en cualquier momento bloqueando inmediatamente el automatismo, inhabilitando cualquier función, inclusive el cierre automático
COM	Común entradas SBS, STOP
L1	LED ROJO de señalización para la programación de los parámetros de la central
MENU	Pulsador para la programación de los parámetros de la central
RADIO	Pulsador para la programación de los parámetros de la radio integrada
L2	LED VERDE de señalización para la programación de los parámetros de la radio
KUBE/DYL	Conector para DYL y KUBE
SBS	Pulsador SBS (PASO A PASO) para el movimiento del automatismo
DIP1/PH DIP2/EDGE	Dip switch para inhabilitar los dispositivos de seguridad (PH, EDGE), véase la FIG. 48
SHIELD	Antena - trenza -
ANT	Antena - señal -

La conexión de la luz intermitente de LED deberá hacerse en los bornes COM y FLASH.

La conexión de la luz de cortésia deberá hacerse en los bornes COM y LED.

El contacto paso a paso SBS se deberá realizar en los bornes COM y SBS (contacto normalmente abierto NA).

El contacto de la fotocélula deberá realizarse en los bornes COM y PH. **Para desactivar la fotocélula, mueva el dip switch izquierdo hacia arriba. Después de haber accionado el dip switch, los LED L1 y L2 comienzan a destellar rápidamente.**

**¡ATENCIÓN!**

**CONFIRME LA DESACTIVACIÓN DE LA ENTRADA PH PRE-**

**SIONANDO SIMULTÁNEAMENTE LOS PULSADORES MENU Y RADIO, MANTENIÉNDOLOS PRESIONADOS HASTA QUE LOS LED L1 Y L2 DEJAN DE DESTELLAR.**

Las entradas de la banda sensible EDGE deberán realizarse en los bornes EDGE y EDGE. **Para desactivar la banda sensible, mueva el dip switch derecho hacia arriba. Después de haber accionado el dip switch, los LED L1 y L2 comienzan a destellar rápidamente.**

**¡ATENCIÓN!**

**CONFIRME LA DESACTIVACIÓN DE LA ENTRADA EDGE PRESIONANDO SIMULTÁNEAMENTE LOS PULSADORES MENU Y RADIO, MANTENIÉNDOLOS PRESIONADOS HASTA QUE LOS LED L1 Y L2 DEJAN DE DESTELLAR.**

**4.11 - Programación de los radiomandos**

Si estuviera presente el módulo inalámbrico KUBE PRO, conéctelo a la central (FIGS. 49, 50) y siga las instrucciones de la pantalla. Si estuviera presente el módulo con cable DYL, conéctelo a la cen-

tral y siga las instrucciones en la pantalla.

En caso contrario, proceda de la siguiente manera:

**MEMORIZACIÓN DE UN RADIOMANDO**





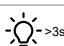
**¡ATENCIÓN!**

**Activando la fase de memorización, cualquier transmisor dentro del campo de recepción puede ser memorizado. Para re-**




**ducir el alcance del receptor, desconecte temporalmente la antena.**

ETAPA	DESCRIPCIÓN	EJEMPLO
1	Presione y suelte el pulsador RADIO la cantidad de veces equivalente a la función que desea activar: 1 vez para la función SBS (PASO A PASO o ABRIR - STOP - CERRAR - STOP), 2 veces para la función APERTURA PARCIAL, 3 veces para la función SOLO ABRIR, 4 veces para la función LUZ ON/OFF, 5 veces para la función PRECONFIGURADA (pulsador 1 = SBS, pulsador 2 = APERTURA PARCIAL, pulsador 3 = SOLO ABRIR, pulsador 4 = LUZ ON/OFF) 6 veces para la función PULSADOR EN PARED (pulsador 1 = CERRAR/STOP, pulsador 2 = ABRIR/STOP, pulsador 3 = VENTILACIÓN, pulsador 4 = LUZ ON/OFF)	
2	El LED L2 realiza un número de destellos que corresponde a la salida seleccionada con una pausa de 1 segundo	
3	Antes de 10 segundos presione durante 2 segundos como mínimo el pulsador del radiomando que se desea memorizar	
4	Si la memorización ha sido correcta, el LED L2 emitirá un destello prolongado	
5	Para memorizar otro radiomando en la misma salida, repita el punto 3	
Nota	Transcurridos 10 segundos de inactividad, el receptor sale automáticamente de la fase de programación	

## CANCELACIÓN DE UN RADIOMANDO

ETAPA	DESCRIPCIÓN	EJEMPLO
1	Presione el pulsador RADIO hasta que se encienda el LED L2 (3 segundos aprox.)	
2	Presione antes de 10 segundos un pulsador del radiomando que se desea cancelar hasta que se apague el LED L2 del receptor. Suelte el pulsador del radiomando	
3	Transcurrido 1 segundo después de haber soltado el pulsador, el LED L2 del receptor comenzará a destellar	
4	Confirme la cancelación presionando el pulsador RADIO	
5	Si la cancelación ha sido correcta, el LED L2 emitirá un destello prolongado	
Nota	Transcurridos 10 segundos de inactividad, el receptor sale automáticamente de la fase de cancelación	





## CANCELACIÓN DE TODA LA MEMORIA DEL RECEPTOR/RESTABLECIMIENTO DEL RECEPTOR

ETAPA	DESCRIPCIÓN	EJEMPLO
1	Presione y mantenga presionado el pulsador RADIO hasta que se encienda el LED L2 (3 segundos aprox.) y luego se apague (3 segundos aprox.). Suelte el pulsador	
2	Transcurrido 1 segundo después de haber soltado el pulsador, el LED L2 del receptor comenzará a destellar	
3	Para cancelar toda la memoria, presione el pulsador RADIO en correspondencia del tercer destello	
4	Si la cancelación/restablecimiento ha sido correcta, el LED L2 emitirá 1 destello prolongado	

## MEMORIZACIÓN A DISTANCIA DE UN RADIOMANDO CON UN RADIOMANDO YA MEMORIZADO

Es posible memorizar un transmisor sin acceder al receptor. Es necesario tener a disposición un transmisor antes memorizado y seguir el siguiente procedimiento.

El procedimiento de copiado a distancia debe realizarse dentro de la zona de alcance del receptor.

ETAPA	DESCRIPCIÓN	EJEMPLO
1	Presione durante al menos 5 segundos el pulsador del nuevo radiomando que se desea memorizar	
2	Presione durante al menos 3 segundos el pulsador del viejo radiomando que se desea copiar (si la etapa 1 anterior se ha concluido correctamente, el automatismo no se moverá)	
3	Presione durante al menos 3 segundos el pulsador del nuevo radiomando que se desea memorizar	
4	Presione durante al menos 3 segundos el pulsador del viejo radiomando que se desea copiar para confirmar y salir de la etapa de programación	
Nota	Transcurridos 10 segundos de inactividad, el receptor saldrá automáticamente de la etapa de programación	

### 4.12 - Aprendizaje de las medidas de apertura y cierre

Si estuviera presente el módulo inalámbrico KUBE PRO, conéctelo a la central (FIGS. 49, 50) y siga las instrucciones de la pantalla. Si estuviera presente el módulo con cable DYL, conéctelo a la central y siga las instrucciones en la pantalla.

#### ⚠ ¡ATENCIÓN!

Si se ha conectado el módulo KUBE PRO, KUBE o el programador DYL, desconecte durante algunos segundos el aparato para poder utilizar el método manual.

El contacto de la fotocélula deberá realizarse en los bornes COM y PH. Para desactivar la fotocélula, mueva el dip switch izquierdo hacia arriba. Después de haber accionado el dip switch, los LED L1 y L2 comienzan a destellar rápidamente.

#### ⚠ ¡ATENCIÓN!

CONFIRME LA DESACTIVACIÓN DE LA ENTRADA PH PRESIONANDO SIMULTÁNEAMENTE LOS PULSADORES MENU Y RADIO, MANTENIÉNDOLOS PRESIONADOS HASTA QUE LOS LED L1 Y L2 DEJAN DE DESTELLAR.

ETAPA	DESCRIPCIÓN
1	Si no tuviera un telemando memorizado, realice la programación del telemando o utilice el pulsador SBS de la central
2	Si nunca ha movido el carro a mano, la puerta, con el carro enganchado a la guía, deberá estar en posición de apertura parcial
3	Presione el pulsador SBS de un telemando memorizado o el pulsador SBS en la central o un pulsador externo conectado a la entrada SBS de la central

RADIO, MANTENIÉNDOLOS PRESIONADOS HASTA QUE LOS LED L1 Y L2 DEJAN DE DESTELLAR.


Las entradas de la banda sensible EDGE deberán realizarse en los bornes EDGE y EDGE. Para desactivar la banda sensible, mueva el dip switch derecho hacia arriba. Después de haber accionado el dip switch, los LED L1 y L2 comienzan a destellar rápidamente.

#### ⚠ ¡ATENCIÓN!

CONFIRME LA DESACTIVACIÓN DE LA ENTRADA EDGE PRESIONANDO SIMULTÁNEAMENTE LOS PULSADORES MENU Y RADIO, MANTENIÉNDOLOS PRESIONADOS HASTA QUE LOS LED L1 Y L2 DEJAN DE DESTELLAR.

Notas: La intensidad del led disminuirá durante el movimiento de la puerta

En caso contrario, proceda de la siguiente manera:

	La puerta debe realizar una apertura a velocidad lenta
4	 <b>¡ATENCIÓN!</b> <b>Si la puerta se cierra, presione de nuevo el pulsador para detenerla y presiónelo nuevamente para invertir la dirección. El procedimiento es correcto solo si la primera maniobra es una apertura y termina con el carro que impacta contra el tope mecánico antes colocado</b>
5	La puerta llega a la posición de apertura completa cuando el carro llega al tope mecánico, se detiene por un segundo y reanuda el cierre hasta que se completa la maniobra
6	Las medidas se memorizan
7	realice AL MENOS una segunda maniobra completa de apertura y una segunda maniobra completa de cierre desde el punto de final de carrera sin interrupciones, para permitir que la central memorice los esfuerzos del motor a lo largo del recorrido
8	Si la automatización no completara la maniobra, compruebe que no haya problemas mecánicos a lo largo de la carrera, el equilibrio de la puerta y, si fuera posible, modifique el parámetro de sensibilidad sobre el obstáculo, reduciéndolo Para restablecer las medidas de apertura y cierre:
9	<p>presione y mantenga presionado el pulsador MENU hasta que el LED L1 se encienda y luego se apague. Suelte el pulsador MENU. El LED L1 emitirá destellos prolongados. Presione de nuevo el pulsador MENU en correspondencia del:</p> <p>5.º destello para el motor HALO 800 6.º destello para el motor HALO 1200</p> <p>Si el procedimiento se concluye correctamente, el LED L1 emitirá un destello prolongado, de lo contrario, emitirá destellos rápidos</p> <p>Repita el procedimiento desde el punto 4 antes descrito</p>

#### 4.13 - Modificación de un parámetro de la central

Si estuviera presente el módulo inalámbrico KUBE PRO, conéctelo a la central (FIGS. 49, 50) y siga las instrucciones de la pantalla. Si estuviera presente el módulo con cable DYL, conéctelo a la central y siga las instrucciones en la pantalla. En caso contrario, proceda de la siguiente manera:

##### ETAPA DESCRIPCIÓN

1	Presione el pulsador MENU el número de veces que corresponde al parámetro que debe modificar (TAB. 3 - P. 51)
2	El LED L1 emite destellos rápidos seguidos de una pausa, que corresponden al parámetro que se debe modificar
3	Presione y mantenga presionado MENU durante más de 3 segundos
4	El LED L1 queda apagado
5	Suelte el pulsador MENU
6	El LED L1 comenzará a emitir destellos prolongados, el número de destellos corresponde al valor máximo configurable por el parámetro. Al final del último destello, el procedimiento termina sin modificar el parámetro
7	Presione brevemente el pulsador MENU en correspondencia del destello que corresponde al valor del parámetro deseado
8	Si el procedimiento se concluye correctamente, el LED L1 emitirá un destello prolongado, de lo contrario, emitirá destellos rápidos

#### 4.14 - Restablecimiento de los parámetros de la central

##### ETAPA DESCRIPCIÓN

1	Presione y mantenga presionado el pulsador MENU hasta que el LED L1 se encienda y luego se apague
2	Suelte el pulsador MENU
3	El LED L1 empezará a emitir destellos prolongados
4	Presione de nuevo el pulsador MENU en correspondencia del 3.er destello
5	Si el procedimiento se concluye correctamente, el LED L1 emitirá un destello prolongado, de lo contrario, emitirá destellos rápidos

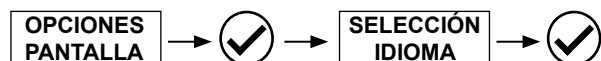
#### 4.15 - Agujero para el mecanismo antiintrusión

Cierre la puerta (accionada por el motor), marque con un lápiz la posición del carro desde la parte opuesta de la puerta. Desbloquee el carro, realice con el taladro un agujero de 10 mm en el centro de la guía en correspondencia de la marca (FIG. 51).

Compruebe que el mecanismo funcione de manera correcta cerrando la puerta manualmente, rearmando el carro y tratando de abrir la puerta de forma manual.

### 4.16 - Uso del programador con pantalla

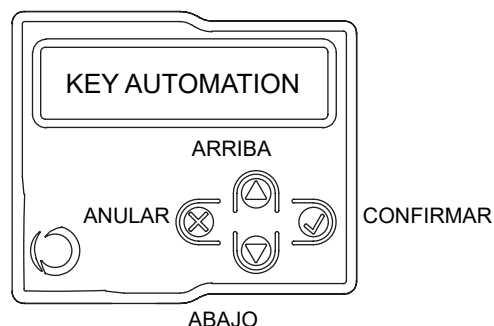
Para personalizar el idioma del programador, proceda de la siguiente manera:



**Nota:** en el primer encendido de la pantalla habrá que seleccionar el idioma. Pulse ▲ o ▼ para seleccionar el idioma deseado y luego confirme con V.

Si no se seleccionara ningún idioma (pulsador X) la central utilizará el idioma por defecto (INGLÉS) hasta el próximo encendido.

En el modo normal, es decir cuando normalmente se activa la alimentación del sistema y el programador con pantalla está conectado, pulse X hasta que se visualice "Key Automation". De esta manera se podrán ver los siguientes mensajes de estado:



EVENTO	DESCRIPCIÓN	INDICACIÓN LUZ INTERMITENTE Y LED MANDOS CENTRAL
apertura	Puerta abriéndose	
apertura ventilación	Puerta abriéndose para ventilación	
cierre	Puerta cerrándose	
cierre automático	Puerta abierta con cierre temporizado activo	
parada durante el cierre	Puerta detenida en la etapa de cierre	
parada durante la apertura	Puerta detenida en la etapa de apertura	
abierta	Puerta completamente abierta sin cierre automático	
abierta para ventilación	Puerta abierta para ventilación sin cierre automático	
cerrada	Puerta completamente cerrada	
programación	Durante la etapa de programación	2 destellos rápidos + pausa + 1 destello
obstáculo	Detectado obstáculo motor	4 destellos rápidos + pausa durante 3 veces
fotocélula!	Activación fotocélula	2 destellos rápidos + pausa durante 3 veces
banda sensible!	Activación banda sensible	5 destellos rápidos + pausa durante 3 veces
apertura parcial	Apertura parcial ejecutándose	
cierre automático parcial	Puerta abriéndose parcialmente con cierre temporizado activo	
cierre automático ventilación	Puerta abriéndose para ventilación con cierre temporizado activo	
error FLASH/LED	Sobrecarga salida FLASH y LED	6 destellos rápidos + pausa durante 3 veces
error fototest	Detectado un error fototest	3 destellos rápidos + pausa durante 3 veces
error final de carrera!	Detectado un error en el final de carrera/tope mecánico	8 destellos rápidos + pausa durante 3 veces
error memoria	Detectado un error en la memoria	10 destellos rápidos + pausa durante 3 veces

### 4.17 - Conexión del módulo inalámbrico KUBE PRO / KUBE

**Antes de llevar a cabo cualquier operación, desconecte el aparato.**

Quite la cubierta protectora de plástico del conector del módulo KUBE. Retire las cubiertas de plástico (FIG. 49) e introduzca la tarjeta en la entrada apropiada (FIG. 50).

**¡ATENCIÓN!**

Tras haberlo extraído de la caja, manipule el módulo KUBE con mucho cuidado.

**¡ATENCIÓN!**

Compruebe detenidamente la posición del módulo KUBE en el conector de la central (FIG. 50).

Con los programadores KUBE PRO y DYL, además de los parámetros (TAB. 3), también es posible modificar los siguientes parámetros:

- velocidad de apertura \*
- velocidad de ralentización durante la apertura \*
- velocidad de cierre \*
- velocidad de ralentización durante el cierre \*
- amplitud ralentización durante la apertura \*
- contacto de STOP

- amplitud ralentización durante el cierre \*
- fototest
- test banda sensible
- amplitud apertura parcial
- amplitud función ventilación del garaje
- tiempo de cierre automático parcial
- tiempo de cierre automático ventilación
- modo funcionamiento luz intermitente
- tiempo de destello previo
- intensidad luz cortesía a fin de maniobra
- funcionamiento luz de cortesía integrada
- funcionamiento después de un apagón
- activación destello para mantenimiento
- por defecto
- bloqueo entradas con contraseña
- bloqueo receptor con contraseña

para la modificación, siga las instrucciones en la pantalla.

**¡ATENCIÓN!**

**\* Después de modificar el parámetro, es obligatorio realizar al menos dos maniobras completas para permitir que la central memorice los esfuerzos del motor a lo largo del recorrido**



## 5 - ENSAYO Y PUESTA EN SERVICIO DEL AUTOMATISMO

El ensayo del sistema debe ser llevado a cabo por un técnico calificado que debe realizar las pruebas requeridas por la normativa de referencia de acuerdo con los riesgos presentes, comprobando

el cumplimiento de lo previsto por las normativas, especialmente la Norma EN 12453 que indica los métodos de ensayos para los automatismos de puertas motorizadas.

### 5.1 - Ensayo

Todos los componentes del sistema deben ser probados siguiendo los procedimientos indicados en los manuales de instrucciones respectivos;

controle que se hayan respetado las indicaciones del Capítulo 1 - Advertencias para la seguridad;

controle que la puerta se pueda mover libremente al desbloquear el automatismo, que esté equilibrada y que no se mueva de la posición en que se la deja;

controle que todos los dispositivos conectados (fotocélulas, bandas sensibles, pulsadores de emergencia, etc.) funcionen correctamente, realizando pruebas de apertura, cierre y parada de la puerta con los dispositivos de mando conectados (transmisores, pulsadores, selectores);

mida la fuerza de impacto, tal como establecido por la Normativa EN 12453, regulando las funciones de velocidad, fuerza del motor y ralentizaciones de la central, hasta que las medidas den los resultados deseados y determinar el ajuste exacto.

### 5.2 - Puesta en servicio

Tras el ensayo positivo de todos los dispositivo del sistema, y no solo de algunos de ellos, se puede proceder con la puesta en servicio;

es necesario realizar y conservar por 10 años el expediente técnico del sistema que deberá contener el diagrama eléctrico, el dibujo o la foto del sistema, el análisis de los riesgos y las soluciones tomadas, la declaración de conformidad del fabricante de todos los dispositivos conectados, el manual de instrucciones de cada dispositivo y el plan de mantenimiento del sistema;

coloque en la puerta una placa con los datos del automatismo, el nombre de la persona responsable de la puesta en servicio, el número de serie y el año de fabricación, la marca CE;

coloque una placa que indique las operaciones que hay que hacer para desbloquear manualmente el sistema;

realice y entregue al usuario final la declaración de conformidad, las instrucciones y advertencias de uso para el usuario final y el plan de mantenimiento del sistema;

asegúrese de que el usuario haya entendido el correcto funcionamiento automático, manual y de emergencia del automatismo;

informe al usuario final, incluso por escrito, los peligros y riesgos presentes;

#### ATENCIÓN !

**Después de haber detectado un obstáculo, la puerta se detiene durante la apertura y se desactiva el cierre automático; para reanudar el movimiento es necesario presionar el pulsador de mando o utilizar el transmisor.**

# INHALTSVERZEICHNIS

<b>1</b>	<b>Sicherheitshinweise</b>	S. 59
<b>2</b>	<b>Vorstellung des Produkts</b>	S. 61
2.1	Beschreibung des Produkts	S. 61
2.2	Zusammensetzung	S. 61
2.3	Modelle und technische Eigenschaften	S. 61
2.4	Technische Angaben	S. 62
2.5	Liste der erforderlichen Kabel	S. 62
<b>3</b>	<b>Anfangskontrollen</b>	S. 63
<b>4</b>	<b>Installation des Produkts</b>	S. 63
4.1	Zusammenbau und Installation von Halo mit LED-Führung	S. 63
4.2	Zusammenbau der 3-teiligen Führung	S. 64
4.3	Zusammenbau der 1-teiligen Führung	S. 64
4.4	Anschluss des Motorkörpers an die Stahlführungen	S. 64
4.5	Installation mit Motorkörper auf Federhaltewelle oder Sturz	S. 64
4.6	Traditionelle Installation	S. 64
4.7	Manuelles Öffnen des Tors	S. 64
4.8	Befestigung des Öffnungsendschalters der LED-Führung	S. 64
4.9	Befestigung des Öffnungsendschalters der Stahlführung	S. 64
4.10	Elektrische Anschlüsse	S. 64
4.11	Programmierung der Funksteuerungen	S. 65
4.12	Erlernen der Öffnungs- und Schließmaße	S. 66
4.13	Ändern eines Parameters der Steuereinheit	S. 67
4.14	Reset der Steuereinheit	S. 67
4.15	Loch für den Intrusionsschutzmechanismus	S. 67
4.16	Verwendung des Programmierungsdisplays	S. 68
4.17	Anschluss des Wireless-Moduls KUBE PRO / KUBE	S. 68
<b>5</b>	<b>Endkontrolle und Inbetriebnahme</b>	S. 69
5.1	Endkontrolle	S. 69
5.2	Inbetriebnahme	S. 69
<b>6</b>	<b>CE-Konformitätserklärung</b>	S. 95

## 1 - SICHERHEITSHINWEISE

### **⚠ ACHTUNG !**

**ORIGINALANWEISUNGEN – Wichtige Sicherheitsanweisungen. Für die Sicherheit der Personen ist es wichtig, die folgenden Sicherheitsanweisungen zu befolgen. Bewahren Sie diese Anweisungen auf.**

Vor Durchführung der Installation lesen Sie die Anleitung bitte aufmerksam durch.

**Die Konstruktion und die Herstellung der Geräte, aus denen sich das Produkt zusammensetzt, und die in diesem Handbuch enthaltenen Informationen entsprechen den geltenden Sicherheitsvorschriften. Dennoch können eine falsche Installation und eine falsche Programmierung schwerwiegende Verletzungen bei Personen verursachen, die die Arbeit ausführen, und bei denen, die die Anlage benutzen werden. Aus diesem Grund ist es wichtig, während der Installation strikt alle Anweisungen in diesem Handbuch zu beachten.**

Bei Zweifel jeglicher Art die Installation abbrechen und ggf. den Key Automation Kundendienst zur Klärung kontaktieren.

**Für die europäische Gesetzgebung muss der Einbau einer automatischen Tür oder eines automatischen Tors den Bestimmungen der Richtlinie 2006/42/EG (Maschinenrichtlinie) und im Besonderen den Normen EN 12453, EN 12635 und EN 13241-1 entsprechen, die eine Konformitätserklärung der Automatisierung ermöglichen.**

In Anbetracht dessen müssen die endgültige Verbindung der Automatisierung ans Stromnetz, die Endabnahme der Anlage, die Inbetriebnahme und die regelmäßige Wartung von qualifiziertem und erfahrenem Personal entsprechend den Anleitungen unter „Prüfung und Inbetriebnahme der Automatisierung“ durchgeführt werden.

Außerdem muss das Personal auch die vorgesehenen Tests nach den vorhandenen Risiken festlegen und die Einhaltung der Gesetze, Vorschriften und Regeln überprüfen: insbesondere die Einhaltung der Norm EN 12453, welche die Prüfverfahren für die Automatisierung von Türen und Toren festlegt.

### **⚠ ACHTUNG !**

**Vor Installationsbeginn folgende Analysen und Prüfungen durchführen:**

Sicherstellen, dass die für die Automatisierung

vorgesehenen Vorrichtungen für die zu realisierende Anlage geeignet sind. Diesbezüglich aufmerksam die im Kapitel „Technische Eigenschaften“ aufgeführten Daten prüfen. Die Installation nicht durchführen, wenn auch nur eine der Vorrichtungen nicht für den Gebrauch geeignet ist.

Sicherstellen, dass die erworbenen Vorrichtungen ausreichend sind, um die Sicherheit und Funktion der Anlage zu gewährleisten.

Die Risikoanalyse durchführen, welche auch die Liste der Sicherheitsanforderungen, aufgeführt in Anhang I der Maschinenrichtlinie, beinhalten muss, und die angewandten Lösungen nennen. Die Risikoanalyse ist eine der Unterlagen, aus denen sich die technischen Unterlagen der Automatisierung zusammensetzen. Diese müssen von einem erfahrenen Installateur ausgefüllt werden.

**In Anbetracht der Gefahrensituationen, die bei Installation und Benutzung des Produktes auftreten können, muss die Automatisierung unter Berücksichtigung folgender Hinweise installiert werden:**

Keine Änderungen an der Automatisierung vornehmen, wenn diese nicht in diesem Handbuch vorgesehen sind. Diese können nur zu Funktionsstörungen führen. Der Hersteller übernimmt keine Haftung für Schäden, die durch eigenmächtige Änderungen am Produkt verursacht wurden.

Ist das Stromkabel beschädigt, muss es vom Hersteller, seinem technischen Kundendienst oder einer ähnlich qualifizierten Person ersetzt werden, um Gefährdungen zu vermeiden;

Die einzelnen Komponenten der Automatisierung dürfen nicht in Wasser oder andere Flüssigkeiten getaucht werden. Bei der Installation darauf achten, dass keine Flüssigkeit ins Innere der Vorrichtungen dringt.

Sollten Flüssigkeiten ins Innere der Automatisierungskomponenten dringen, sofort die Stromzufuhr abschalten und sich an den Key Automation Kundendienst wenden. Die Benutzung der Automatisierung in derartigen Situationen kann gefährlich sein.

Die einzelnen Komponenten weder Wärmequellen noch offenen Flammen aussetzen. Dadurch können Schäden, Störungen und Gefahrensituationen entstehen oder ein Brand ausbrechen

### **⚠ ACHTUNG !**

**Die Einheit ist während der Reinigung, Wartung**

**und Auswechslung von Bestandteilen von der Speisung abzutrennen. Sollte die Abschaltvorrichtung nicht sichtbar sein, ein Schild mit der Aufschrift „IN WARTUNG“ anbringen:**

Alle Vorrichtungen müssen mit einer Stromleitung verbunden werden, die sicher geerdet ist;

Dieses Produkt kann nicht als ausreichendes System für den Einbruchschutz angesehen werden. Wenn Sie sich ausreichend schützen wollen, müssen andere Vorrichtungen in die Automatisierung integriert werden;

Wie im Absatz „Prüfung und Inbetriebnahme der Automatisierung“ vorgesehen, darf das Produkt erst nach der „Inbetriebnahme“ der Automatisierung benutzt werden;

Im Stromnetz der Anlage eine Abschaltvorrichtung mit ausreichendem Öffnungsabstand der Kontakte vorsehen, die, wie von der Überspannungskategorie III gefordert, die komplette Abschaltung erlaubt;

Verwenden Sie für die Verbindung von steifen und flexiblen Rohren oder Kabeldurchgängen Anschlüsse mit dem Schutzgrad IP55 oder höher;

Die elektrische Anlage vor der Automatisierung muss den geltenden Bestimmungen entsprechen und fachgerecht ausgeführt sein;

Das Gerät kann von Kindern im Alter von nicht weniger als 8 Jahren und von Personen mit beschränkten körperlichen, sensorischen und geistigen Fähigkeiten oder ohne Erfahrung bzw. ohne das notwendige Bewußtsein verwendet werden, vorausgesetzt, dass sie dabei überwacht werden oder dass sie Anweisungen über den sicheren Gebrauch des Gerätes und das Verständnis der damit verbundenen Gefahren erhalten haben;

Vergewissern Sie sich vor der Inbetriebsetzung der Automatisierung, dass sich keine Personen in unmittelbarer Nähe befinden;

Vor jeder Reinigung und Wartung ist die Automatisierung vom Stromnetz zu trennen;

Besondere Vorsicht ist geboten, um Quetschungen zwischen dem geführten Teil und festen Elementen in der unmittelbaren Nähe zu vermeiden;

Kinder sollten beaufsichtigt werden, um sicherzustellen, dass sie nicht mit dem Gerät spielen;

Der Antrieb wird nicht verwendet für Türen mit Öffnungen von mehr als 50 mm Durchmesser oder Kanten oder vorstehenden Bauteilen, die eine Person greifen kann oder auf denen eine Person stehen kann;

Das Gerät darf mit einer automatisierten Tür mit eingebauter Fußgängertür nicht verwendet werden.

Bei Hinderniserfassung während des Schließungsmanövers invertiert das Tor die Bewe-

gungsrichtung bis zur vollständigen Öffnung; das Stellglied für die manuelle Entriegelung auf einer Höhe von weniger als 1,8 m installieren. Falls abnehmbar, muss das Stellglied in direkter Nähe der Tür aufbewahrt werden;

alle festen Bedienelemente auf einer Höhe von mindestens 1,5 m und in Sichtweite der Tür, jedoch von beweglichen Bauteilen entfernt installieren;

die Warnhinweise gegen Erfassung permanent in gut sichtbarer Position oder in der Nähe der festen Bedienelemente anbringen (Fig. 1 S. 54);

Nach der Installation sicherstellen, dass der Mechanismus ordnungsgemäß eingestellt ist und dass der Antrieb umkehrt bzw. der Gegenstand freigesetzt werden kann, wenn das Tor einen am Boden vorhandenen 50mm hohen Gegenstand berührt (bei Antrieben mit eingebautem Einklemmschutzsystem von der Berührung mit der unteren Torkante abhängig);

Nach erfolgter Installation sicherstellen, dass keine Teile des Tors über öffentliche Fußwege oder Straßen reichen

wenn die Vorrichtung eine separate Stopp-Taste aufweist, muss diese Stopp-Taste eindeutig identifiziert werden können.

**⚠ ACHTUNG !**

**Die Anlage ist regelmäßig dahingehend zu prüfen, dass keine Unwucht und Zeichen einer mechanischen Abnutzung, sowie beschädigte Kabel, Federn und Stützelemente vorhanden sind.**

**Verwenden Sie nicht, wenn eine Reparatur oder Einstellung erforderlich ist.**

**⚠ ACHTUNG !**

**Verpackungsbestandteile (Karton, Kunststoff etc.) sind ordnungsgemäß getrennt in die entsprechenden Behälter zu entsorgen. Gerätekomponenten wie Elektronikplatinen, Metallteile, Batterien etc. müssen getrennt und unterschieden werden. Für die Entsorgungswege sind die am Aufstellungsort geltenden Vorschriften anzuwenden. NICHT IN DER UMWELT ENTSORGEN!**



**KEY AUTOMATION behält sich vor, diese Anweisungen notfalls zu ändern; diese Anweisungen und/oder eine neuere Version befinden sich auf der Website [www.keyautomation.com](http://www.keyautomation.com)**

## 2 - VORSTELLUNG DES PRODUKTS

### 2.1 - Beschreibung des Produkts

Halo ist ein nicht reversibler elektromechanischer Garagentorantrieb für die Automatisierung von Schwingtoren in einer Breite bis 17m<sup>2</sup> und von Sektionaltoren in einer Breite bis 19m<sup>2</sup>. In Halo ist ein Encoder, eine Steuereinheit und ein 4-Kanal-Empfänger integriert. Die Führung ist mit Riemen vormontiert, 1-teilig oder 3-teilig.

Eine spezielle pulverbeschichtete Führung aus Aluminium mit integ-

rierten LEDs beleuchtet die Garage sowohl während der Bewegung als auch in jedem anderen Moment.

Die spezielle flache Konformation des Motorkörpers erlaubt außerdem eine Installation an einer nicht störenden Position, in der Nähe des Torsturzes und der Federhaltewelle.

### 2.2 - Zusammensetzung

Das Automatisierungssystem für Garagentore ist in zwei Schachteln enthalten, in denen jeweils das Automatisierungssystem und die Führung verpackt sind:

ABB. 1 Inhalt der Kopfverpackung mit Komponentenliste

ABB. 2 LED-Führung

ABB. 3 Stahlführung 1-teilig

ABB. 4 Stahlführung 3-teilig

### 2.3 - Modelle und technische Eigenschaften

CODE	BESCHREIBUNG	LEISTUNG
900HA8	Für Sektionaltore bis 11 m <sup>2</sup> (mit 3 m langer Führung) oder 12 m <sup>2</sup> (mit 4 m langer Führung), 24Vdc-Motor und Steuereinheit mit integriertem Empfänger und 230Vac-Speisung.	800N
900HA12	Für Sektionaltore bis 16 m <sup>2</sup> (mit 3 m langer Führung) oder 19 m <sup>2</sup> (mit 4 m langer Führung), 24Vdc-Motor und Steuereinheit mit integriertem Empfänger und 230Vac-Speisung.	1200N
900HA12E	Für Sektionaltore bis 16 m <sup>2</sup> (mit 3 m langer Führung) oder 19 m <sup>2</sup> (mit 4 m langer Führung), „Low Energy“ mit 24Vdc-Motor und Steuereinheit mit integriertem Empfänger und 230Vac-Speisung.	1200N
900HA12L	Für Sektionaltore bis 16 m <sup>2</sup> (mit 3 m langer Führung) oder 19 m <sup>2</sup> (mit 4 m langer Führung), 24Vdc-Motor und Steuereinheit mit integriertem Empfänger und 120Vac-Speisung.	1200N

#### KOMPATIBILITÄT KOPF/FÜHRUNG

	HA8	HA12 - HA12E - HA12L
900RAB31	X	X
900RAB3X1P	X	X
900RAB41	X	X
900RAB2X2P	X	X
900RAB61		X
900RAL31		X
900RAL41		X

TECHNISCHE DATEN	900HA7	900HA12	900HA12E	900HA12L
Geschwindigkeit	15 cm/s	15 cm/s	15 cm/s	15 cm/s
Kraft	800 N	1200 N	1200 N	1200 N
Max. Zyklen/Std. <sup>(1)</sup>	20	20	20	20
Max. konsekutive Zyklen/Std. <sup>(1)</sup>	10	10	10	10
Nennleistung	80w	100w	100w	100w
Standby-Leistung	5,5 W	5,5 W	<0,5 W	5,5 W
Speisung	230vac (±10%) 50hz	230vac (±10%) 50hz	230vac (±10%) 50hz	120vac (±10%) 50/60hz
Blinkleuchte	3 W Max	3 W Max	3 W Max	3 W Max
Umfeldleuchte auf Führung mit integrierten LEDs	-	40 W Max	40 W Max	40 W Max
Speisungsausgang für Zubehöre	100mA (24 Vdc nicht geregelt)			
Sicherung 1 Speiseleitung	1AT	1AT	1AT	2AT
Max. Anzahl speicherbare ROLLING CODE-Sender	90	90	90	90
Schutzgrad	IP 20	IP 20	IP 20	IP 20
Verwendung in besonders säure- und salzhaltiger oder explosionsfähiger Atmosphäre.	Nein	Nein	Nein	Nein
Abmessungen (L-T-H)	235-330-84 mm	235-330-84 mm	235-330-84 mm	235-330-84 mm
Gewicht	6,25 Kg	6,8 Kg	6,8 Kg	6,8 Kg
Betriebstemperatur	-10°C/+45°C	-10°C/+45°C	-10°C/+45°C	-10°C/+45°C
Max. Torgroße	12 m <sup>2</sup>	19 m <sup>2</sup>	19 m <sup>2</sup>	19 m <sup>2</sup>
Max. Torgewicht	120 Kg	200 Kg	200 Kg	200 Kg

<sup>(1)</sup> für Tore bis 2m Höhe

**NUTZUNGSBESCHRÄNKUNGEN**

Sektionaltor	Schwingtor ausschwingend
--------------	--------------------------

**900HA8 mit 3m-Führung**

S max=11m <sup>2</sup> H max = 2,6m	S max=10m <sup>2</sup> H max = 3m
--	--------------------------------------

**900HA8 mit 4 m-Führung**

S max=12m <sup>2</sup> H max = 3,6m	S max=11m <sup>2</sup> H max = 3,4m
--	--

**NUTZUNGSBESCHRÄNKUNGEN**

Sektionaltor	Schwingtor ausschwingend
--------------	--------------------------

**900HA12, 900HA12E, 900HA12L mit 3m-Führung**

S max=16m <sup>2</sup> H max = 2,6m	S max=16m <sup>2</sup> H max = 3m
--	--------------------------------------

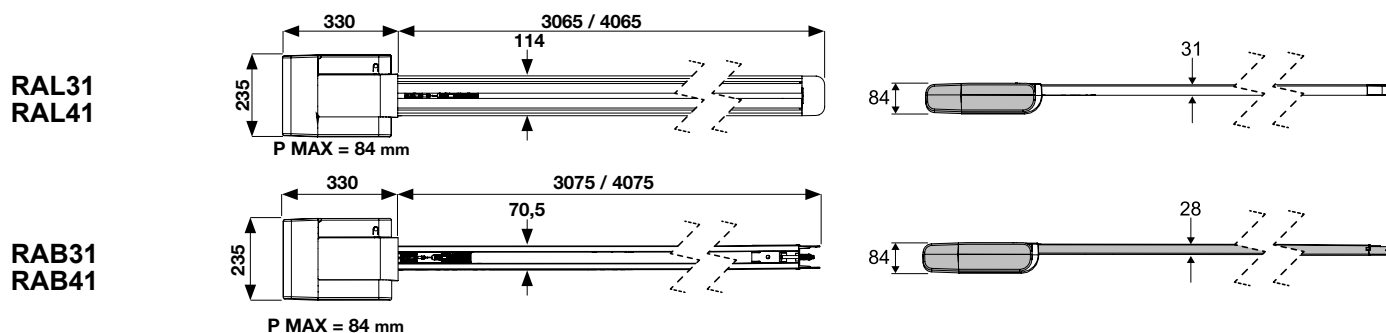
**900HA12, 900HA12E, 900HA12L mit 4 m-Führung**

S max=19m <sup>2</sup> H max = 3,6m	S max=17m <sup>2</sup> H max = 3,4m
--	--

**2.4 - Technische Angaben****Modell und empfohlener Gebrauch - Verfügbare Führung und Abmessungen**

MODELL	MATERIAL	ANMERKUNGEN	ZUGART	GESAMTLÄNGE	LAUFWEG DER FÜHRUNG
900RAL31	Aluminium	Mit Beleuchtung mit integrierten LEDs	Riemen	3090 mm (1x3m)	2660 mm
900RAL41	Aluminium	Mit Beleuchtung mit integrierten LEDs	Riemen	4090 mm (1x4m)	3660 mm
900RAB3X1P	Stahl		Riemen	3100 mm (3x1.03m)	2670 mm
900RAB31	Stahl		Riemen	3100 mm (1x3.1m)	2670 mm
900RAB41	Stahl		Riemen	4100 mm (1x4.1m)	3670 mm
900RAB2X2P	Stahl		Riemen	4100 mm (2x2.05m)	3670 mm

Die angegebenen Daten können je nach Gleitfähigkeit und Ausgleich des Tors und der Art der verwendeten Führung unterschiedlich sein.

**2.5 - Liste der erforderlichen Kabel**

Die für eine typische Anlage notwendigen Anschlusskabel der verschiedenen Vorrichtungen sind in der Tabelle der Kabelliste angegeben. Die verwendeten Kabel müssen für die Art der Installation

geeignet sein, z.B. wird ein Kabel vom Typ H03VV-F für die Verlegung in Innenräumen empfohlen, oder das Kabel H07RN-F für die externe Verlegung.

**TABELLE DER KABELLISTE**

ANSCHLUSS	KABELTYP	MAX. ZULÄSSIGE LÄNGE
Stromspeiseleitung	Schuko EWG 7/4	
Blindeleuchte, Umfeldleuchte	1 x Kabel 3 x 0,5 mm <sup>2</sup>	20 m
Antenne	1 x Kabel Typ RG58	20 m (empfohlen < 5 m)
Fotozellen Sender	1 x Kabel 2 x 0,5 mm <sup>2</sup>	20 m
Fotozelle Empfänger	1 x Kabel 4 x 0,5 mm <sup>2</sup>	20 m
Schaltleiste Funk (*)	1 x Kabel 4 x 0,5 mm <sup>2</sup>	2 m
Schlüsselwählschalter	1 x Kabel 2 x 0,5 mm <sup>2</sup>	20 m

Falls in der Nähe des Geräts keine angemessene Steckdose vorhanden sein sollte, hat man sich zur Installation an qualifiziertes Personal zu wenden.

(\*): siehe die Anweisungen des Herstellers

## 3 - ANFANGSKONTROLLEN

Bevor das Produkt installiert wird, sind folgende Punkte zu prüfen und zu kontrollieren:

- Kontrollieren, dass das Tor für die Automatisierung geeignet ist.
- Das Gewicht und die Größe des Tors müssen innerhalb der angegebenen Nutzungsbeschränkungen der Automatisierung liegen, auf der das Produkt installiert wird.
- Kontrollieren, dass die mechanischen Sicherheitsanschlüsse des Tors vorhanden und fest sind.
- Prüfen, dass die Befestigungszone des Produkts keiner Überschwemmungsgefahr ausgesetzt ist.
- Verhältnisse mit starker Säure- oder Salzhaltigkeit oder die Nähe von Hitzequellen könnten am Produkt Betriebsstörungen verursachen.
- Bei extremen Klimaverhältnissen (z.B. bei Schnee, Vereisung, starken Temperaturschwankungen, hohen Temperaturen) könnten

die Reibungen zunehmen und damit auch der Kraftaufwand bei der Bewegung des Tors, und der Anlauf könnte schwieriger sein als unter normalen Verhältnissen.

- Kontrollieren, dass eine sanfte manuelle Bewegung des Tors ohne Stellen mit stärkerem Widerstand möglich ist und dass kein Risiko des Austretens aus den Führungsschienen besteht.
- Kontrollieren, dass das Tor im Gleichgewicht ist und daher in jeder beliebigen Position stehen bleibt.
- Prüfen, dass die Stromleitung, an der das Produkt angeschlossen wird, zur Sicherheit angemessen geerdet und durch einen Fehlerstromschutzschalter geschützt ist.
- Im Stromnetz der Anlage eine Abschaltvorrichtung mit ausreichendem Öffnungsabstand der Kontakte vorsehen, die, wie von der Überspannungskategorie III gefordert, die komplette Abschaltung erlaubt.
- Prüfen, dass das gesamte für die Installation verwendete Material den geltenden Vorschriften entspricht.

## 4 - INSTALLATION DES PRODUKTS

### 4.1 - Zusammenbau und Installation von Halo mit LED-Führung

Bevor mit dem Zusammenbau begonnen wird, ist zu prüfen, dass alle notwendigen Geräte verfügbar sind (ABB. 5).

Die Führung auf eine ebene Fläche positionieren und vor möglichen Verkratzen schützen. Den Kunststoffdeckel entfernen und den Inhalt herausnehmen.

Die Umlenkscheibe verschieben, bis die Schraube am Ende der Führung weiter vorsteht, dann die Mutter losschrauben, die Spannfeder einsetzen und die Mutter festziehen, bis der Riemen gespannt ist (ABB. 6, 7). Den Kopf der Führung nähern und sie auf eine ebene Fläche positionieren und den unteren Deckel vor möglichen Verkratzen schützen. Durch Drücken auf die zwei angezeigten Stellen den hinteren Deckel entfernen (ABB. 8).

Den weißen Deckel abnehmen (FIG. 9), mit einem Cutter die beiden Rechtecke auf dem weißen Deckel schneiden und entfernen (ABB. 10).

Die angezeigte Klappe öffnen: Dazu den Kunststoff mit einem Cutter schneiden und vorsichtig abheben (ABB. 11), danach die Karte zur Regulierung der LEDs (in der Packung der Führung enthalten) mit den bereits eingesteckten Kabeln einführen (ABB. 2, 12). Den Deckel wieder sanft schließen. Die Kabel in die dazu dienenden Schlitz positionieren; dabei das Kabel ohne Verbinder in das angezeigte Loch einführen (ABB. 12).

Den Adapter aus Metall unter Verwendung eines Gummihammers in das Loch auf der Führung stecken (ABB. 13); danach die Führung in den Kopf einführen und dabei darauf achten, dass die Nadelstreifen des Adapters mit denen des Motorzapfens zusammentreffen (ABB. 14) und den Verbinder anschließen (ABB. 15).

#### ACHTUNG !

**Prüfen, dass sich die Kabel in ihren Aufnahmen befinden, bevor die obere Platte positioniert und befestigt wird (ABB. 16), damit sie nicht gequetscht werden. Die 4 Schrauben gekreuzt festziehen.**

Die seitliche Klappe öffnen, das Kabel herausziehen und die Drähte an der Steuereinheit anschließen (ABB. 17). Die Klappe wieder schließen.

Den Motor auf die Federhaltewelle setzen (ABB. 18), die Führung abheben und parallel zum Boden stellen, das Maß A (Abstand zwischen Führung und Decke) messen und die Gewindestange um das Maß **A - 5 cm** abschneiden (ABB. 19). Die Gewindestange und die Befestigungskomponenten gehören zur LED-Führung.

Die Komponenten der Gewindestange zusammenbauen (ABB. 20). Die Gewindestange an der Decke befestigen, unter Verwendung geeigneter Schrauben oder Dübel (nicht beige) (ABB. 21). Den unteren Teil des Bügels zusammenbauen, in die Führung einsetzen und in den Schlitz verschieben (ABB. 22), dann den Kunststoffdeckel in die Führung setzen.

Die Gewindestange an der hohen Sechskantmutter auf der Führung anschließen und dabei die Stange drehen, bis sie um etwa 1 cm ein-

dringt und die Führung perfekt horizontal ist. Jetzt sind die Muttern in der angegebenen Reihenfolge festzuziehen (ABB. 23).

Die langen Schrauben einsetzen und manuell festschrauben, damit die Muttern wieder in die Aufnahme eindringen können (ABB. 24). Die Schrauben um wenige Millimeter vorstehen lassen, damit der Bügel auf dem vorhandenen Langloch eingesetzt werden kann. Das Langloch verwenden, um den Bügel auf dem Sturz zu positionieren, und die Position der Löcher markieren (ABB. 25).

Den Motor seitlich verschieben und den Bügel unter Verwendung geeigneter Schrauben und Dübel (nicht beige) befestigen (ABB. 26).

Den Motor wieder auf den Bügel positionieren.

#### ACHTUNG !

**Nun sind die seitlichen langen Schrauben nur soweit einzuschrauben, bis ihr Anpunkten vernommen wird (ABB. 38). Nicht kräftig spannen, um die Aufnahmen der Muttern nicht zu brechen.**

Die Gegenmutter einschrauben (ABB. 27) und ganz festziehen; dabei die Schrauben mit einem Sechskantschlüssel festhalten.

#### ACHTUNG !

**Die Schrauben nicht drehen, um den Bruch der Aufnahmen der Muttern zu vermeiden; zum Festziehen ausschließlich die Gegenmutter drehen.**

Die unteren Klemmbacken befestigen (ABB. 28).

Den Bügel am oberen Torbereich befestigen, in zentraler Position (ABB. 29) und genau an der Mitte des C-förmigen Bügels (ABB. 26). Die angezeigten Maße (TAB.1A) messen und den Arm für die Verbindung mit den angezeigten Teilen zusammensetzen (TAB. 2).

Den Schlitten mit der Entriegelungskordel entsperren (ABB. 30).

Die Brücke des Schlittens ziehen, den gebogenen Arm mit dazugehörigem Zapfen einsetzen (ABB. 31, 32, 33, 34) und die 2 Senkkopfschrauben zum Schließen der Brücke einschrauben. Auch die symmetrisch am anderen Schlittende vorhandenen 2 Senkkopfschrauben einschrauben.

Den Arm am Tor anschließen (ABB. 35) und den Schlitten durch Bewegen der Entriegelungskordel wieder betriebsfähig machen, damit der Hebel wieder eindringen kann und den Schlitten dann blockieren und das Tor bis zur Ankupplung manuell bewegen (ABB. 36).

Die transparenten Schutzaukleber der Diffusionsprofile der LEDs und der Führung entfernen (ABB. 37).

Nach erfolgter Programmierung (nächste Absätze) die Sicherheitsschraube befestigen (ABB. 52) und den weißen Deckel einsetzen (ABB. 53).

#### 4.2 - Zusammenbau der 3-teiligen Führung

Die Führung zusammenbauen (ABB. 4) und dann am Riemen ziehen (ABB. 7)

#### 4.3 - Zusammenbau der 1-teiligen Führung

Am Riemen oder ziehen (ABB. 7).

#### 4.4 - Anschluss des Motorkörpers an die Stahlführungen

Den Absatz 4.1 befolgen (ABB. 13, 14, 16)

#### 4.5 - Installation mit Motorkörper auf Sturz

##### ACHTUNG !

Für alle nicht erwähnten Vorgänge, siehe den Absatz 4.1.

Die Anweisungen im Absatz 4.1 ab ABB. 25 befolgen, dabei jedoch den Bügel nicht auf dem Langloch sondern auf dem Einzelloch anschließen (ABB. 38) und die Anweisungen in TAB. 1B und TAB. 2 befolgen.  
Danach die Anweisungen im Abs. 4.1 ausführen.

#### 4.6 - Traditionelle Installation

##### ACHTUNG !

Für alle nicht erwähnten Vorgänge, siehe den Absatz 4.1.

##### DEN HINTEREN DECKEL NICHT DEMONTIEREN!

Den Bügel am Sturz befestigen (ABB. 26), dann die Stahlführung unter Verwendung einer der zwei beigeestellten langen Schrauben anschließen (ABB. 39) und die Anweisungen in TAB. 1C und TAB. 2 befolgen.

Die Führung abheben und in eine Position parallel zum Boden bringen, das Maß A messen und dann die zwei Deckenbügel wie angegeben schneiden: Maß **A + 3 cm** (ABB. 40). Die Platte mit Schnellankupplung einsetzen und dann mit den Deckenbügeln verbinden (ABB. 41, 42).

Die Bügel an der Decke befestigen; dazu geeignete Schrauben und Dübel verwenden (nicht beigeestellt).

Den Absatz 4.1 von ABB. 29 bis ABB. 35 ausführen und den Arm auf dem Langloch des Schlittens einsetzen, das zuvor mit einem Cutter geöffnet wurde (ABB. 43).

#### 4.7 - Manuelles Öffnen des Tors

Im Falle einer Stromunterbrechung und falls keine optionale Pufferbatterie vorhanden ist, sind zum Entsperren der Automatisierung folgende Schritte auszuführen:

##### PHASE BESCHREIBUNG

1	Die Kordel ziehen und den Entriegelungshebel in die vertikale Position versetzen (ABB. 30)
2	Das Tor manuell heben oder senken
3	Um die Automatisierung wieder betriebsfähig zu machen, die Kordel so bewegen, dass der Entriegelungshebel wieder komplett in den Mitnahmeschlitten eindringen kann (ABB. 36)
4	Das Tor manuell heben oder senken, bis es an der Führung angekuppelt wird

#### 4.8 - Befestigung des Öffnungsendschalters der LED-Führung

Den Schlitten entsperren und das Tor manuell heben, bis es die angegebene maximal mögliche Öffnungsposition erreicht: **H - 10 cm** (ABB. 44).

Die Position des Schlittenendes mit einem Bleistift markieren (ABB. 45), dann mit einem Bohrer eine Bohrung fertigen und mit der Schraube befestigen (ABB. 46).

#### 4.9 - Befestigung des Öffnungsendschalters der Stahlführung

Den Schlitten entsperren und das Tor manuell heben, bis es die angegebene maximal mögliche Öffnungsposition erreicht: **H - 10 cm**

(ABB. 44).  
Den Endschalter gut festmachen (ABB. 47).

#### 4.10 - Elektrische Anschlüsse

##### ACHTUNG !

**Vor der Fertigung der Anschlüsse prüfen, dass die Steuereinheit nicht gespeist ist.**

Die Anschlüsse ausführen (ABB. 48).

##### ELEKTRISCHE ANSCHLÜSSE

COM	Common Ausgänge FLASH, LED
FLASH	Ausgang Blinkleuchte 24Vdc (nicht geregelt), maximal 3W
LED	Ausgang Umfeldleuchte 24Vdc (nicht geregelt), maximal 20W
PH-POW	Positivausgang Fotozellenspeisung, 24Vdc (nicht geregelt) maximal 100mA
NEG	Negativausgang Fotozellenspeisung
PH	Fotozellen (Schließung) NC-Kontakt zwischen PH und COM
EDGE/EDGE	Eingang Schaltleiste, NC-Kontakt, Widerstandsschaltleiste 8k2 oder doppelte Widerstandsschaltleiste 8k2 (parallel)



SBS	Steuerung SCHRITTBETRIEB NO-Kontakt zwischen SBS und COM Steuerung Öffnen/Stopp/Schließen/Stopp oder je nach Software-Wahl
STOP	STOP NC-Kontakt zwischen STOP und COM. Der Kontakt kann jederzeit aktiviert werden, um die Automatisierung unverzüglich zu blockieren und jede Funktion, einschließlich die automatische Schließung, zu entfähigen.
COM	Common Eingänge SBS, STOP
L1	ROTE Signal-LED für die Programmierung der Parameter der Steuereinheit
MENÜ	Taste für die Programmierung der Parameter der Steuereinheit
RADIO	Taste für die Programmierung der Parameter des integrierten Radios
L2	GRÜNE Signal-LED für die Programmierung der Parameter des Radios
KUBE/DYL	Verbinder für DYL und KUBE
SBS	Taste SBS (SCHRITTBETRIEB) für die Bewegung der Automatisierung
DIP1/PH DIP2/EDGE	Dip-Schalter für die Entfägung der Sicherungen (PH, EDGE) siehe ABB. 48
SHIELD	Antenne - Schutzgeflecht -
ANT	Antenne - Signal -

Der Anschluss der LED-Blinkleuchte ist auf den Klemmen COM und FLASH zu fertigen.

Der Anschluss der Umfeldleuchte ist auf den Klemmen COM und LED zu fertigen.

Der Kontakt Schrittbetrieb SBS ist auf den Klemmen COM und SBS zu fertigen (NO-Arbeitskontakt).

Der Kontakt der Fozozelle ist auf den Klemmen COM und PH zu fertigen. **Um die Fozozelle auszuschließen, ist der linke Dip-Schalter nach oben zu verschieben. Nachdem der Dip-Schalter betätigt wurde, beginnen die LEDs L1 und L2 schnell zu blinken.**

### ⚠ ACHTUNG !

**DIE DEAKTIVIERUNG DES EINGANGS PH DURCH GLECHZEI-**

**TIGES DRÜCKEN DER DRUCKSCHALTER MENÜ UND RADIO BESTÄTIGEN UND DIESE GEDRÜCKT HALTEN, BIS DIE LEDS L1 UND L2 NICHT MEHR BLINKEN.**

Die Eingänge der Schaltleiste EDGE sind auf den Klemmen EDGE und EDGE zu fertigen. **Um die Schaltleiste auszuschließen, den rechten Dip-Schalter nach oben verschieben. Nachdem der Dip-Schalter betätigt wurde, beginnen die LEDs L1 und L2 schnell zu blinken.**

### ⚠ ACHTUNG !

**DIE DEAKTIVIERUNG DES EINGANGS PH DURCH GLECHZEITIGES DRÜCKEN DER DRUCKSCHALTER MENÜ UND RADIO BESTÄTIGEN UND DIESE GEDRÜCKT HALTEN, BIS DIE LEDS L1 UND L2 NICHT MEHR BLINKEN.**

## 4.11 - Programmierung der Funksteuerungen

Wenn das Wireless-Modul KUBE PRO verfügbar ist, dieses an der Steuereinheit anschließen (ABB. 49, 50) und die Anweisungen am Bildschirm befolgen.

Wenn das Kabel-Modul DYL verfügbar ist, dieses an der Steuereinheit anschließen und die Anweisungen am Bildschirm befolgen.




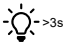
Andernfalls wie nachstehend erläutert fortsetzen:

### SPEICHERUNG EINER FUNKSTEUERUNG






### ⚠ ACHTUNG !

**Wenn die Speicherungsphase aktiviert wird, können irgendwelche Sender im Empfangsfeld gespeichert werden. Um die**




**Reichweite des Empfängers zu verringern ist die Antenne vorübergehend abzuschalten.**

PHASE	BESCHREIBUNG	BEISPIEL
1	Die Taste RADIO so oft drücken und wieder loslassen, wie für die zu aktivierende Funktion notwendig: 1 Mal für die Funktion SBS (SCHRITTBETRIEB oder ÖFFNEN - STOPP - SCHLIESSEN - STOPP), 2 Mal für die Funktion TEILÖFFNUNG, 3 Mal für die Funktion NUR ÖFFNEN, 4 Mal für die Funktion LICHT EIN/AUS, 5 Mal für die Funktion VOREINGESTELLT (Taste 1 = SBS, Taste 2 = TEILÖFFNUNG, Taste 3 = NUR ÖFFNEN, Taste 4 = LICHT EIN/AUS) 6 Mal für die Funktion MAUERTASTE (Taste 1 = SCHLIESSEN/STOPP, Taste 2 = ÖFFNEN/STOPP, Taste 3 = LÜFTUNG, Taste 4 = LICHT EIN/AUS)	
2	Die LED L2 blinkt so oft wie für den gewählten Ausgang notwendig, zwischendurch jeweils mit einer Pause von 1 Sekunde	
3	Innerhalb von 10 Sekunden mindestens 2 Sekunden auf die Taste der Funksteuerung drücken, die gespeichert werden soll	
4	Falls die Speicherung erfolgreich war, blinkt die LED L2 einmal lang	
5	Um am gleichen Ausgang eine andere Funksteuerung zu speichern, den Punkt 3 wiederholen	
Anm.	Nach 10 Sekunden langer Untätigkeit verläßt der Empfänger automatisch die Programmierungsphase	

## LÖSCHEN EINER FUNKSTEUERUNG

PHASE BESCHREIBUNG		BEISPIEL
1	Auf die Taste RADIO drücken, bis die LED L2 einschaltet (etwa 3 Sekunden)	
2	Innerhalb von 10 Sekunden auf eine Taste der zu löschenden Funksteuerung drücken, bis die LED L2 auf dem Empfänger ausschaltet. Die Taste der Funksteuerung wieder freisetzen	
3	Zirka 1 Sekunde nachdem die Taste freigesetzt wurde, beginnt die LED L2 auf dem Empfänger zu blinken	
4	Auf die Taste RADIO drücken, um die Löschung zu bestätigen	
5	Wenn das Löschen erfolgreich stattgefunden hat, blinkt die LED L2 einmal lang	
Anm.	Nach 10 Sekunden langer Untätigkeit verläßt der Empfänger automatisch die Programmierungsphase	





## LÖSCHEN DES GANZEN SPEICHERS DES EMPFÄNGERS/RESET DES EMPFÄNGERS

PHASE BESCHREIBUNG		BEISPIEL
1	Die Taste RADIO drücken und gedrückt halten, bis die LED L2 einschaltet (etwa 3 Sekunden) und dann ausschaltet (etwa 3 Sekunden). Die Taste freisetzen	
2	Zirka 1 Sekunde nachdem die Taste freigesetzt wurde, beginnt die LED L2 auf dem Empfänger zu blinken	
3	Um den gesamten Speicher zu löschen, beim dritten Blinken auf die Taste RADIO drücken	
4	Wenn das Löschen/Reset erfolgreich stattgefunden hat, blinkt die LED L2 einmal lang	

## FERNGESTEUERTE SPEICHERUNG EINER FUNKSTEUERUNG MIT BEREITS GESPEICHERTER FUNKSTEUERUNG

Es besteht die Möglichkeit, einen Sender ohne Zugriff auf den Empfänger zu speichern. Dazu muss ein zuvor gespeicherter Sender verfügbar sein und die folgende Prozedur ausgeführt

werden. Die Fernkopierprozedur muss in dem vom Empfänger bedienten Bereich stattfinden.

PHASE BESCHREIBUNG		BEISPIEL
1	Mindestens 5 Sekunden auf die Taste der neu zu speichernden Funksteuerung drücken	
2	Mindestens 3 Sekunden auf die Taste der alten Funksteuerung drücken, die kopiert werden soll (wenn die vorige Phase 1 erfolgreich stattgefunden hat, bewegt sich die Automatisierung nicht)	
3	Mindestens 3 Sekunden auf die Taste der neu zu speichernden Funksteuerung drücken	
4	Mindestens 3 Sekunden auf die Taste der alten Funksteuerung drücken, die kopiert werden soll, um zu bestätigen und die Programmierungsphase zu verlassen	
Anm.	Nach 10 Sekunden langer Untätigkeit verläßt der Empfänger automatisch die Programmierungsphase	

## 4.12 - Erlernen der Öffnungs- und Schließmaße

Wenn das Wireless-Modul KUBE PRO verfügbar ist, dieses an der Steuereinheit anschließen (ABB. 49, 50) und die Anweisungen am Bildschirm befolgen.

Wenn das Kabel-Modul DYL verfügbar ist, dieses an der Steuereinheit anschließen und die Anweisungen am Bildschirm befolgen.

### ⚠ ACHTUNG !

Wenn zuvor das Modul KUBE PRO, KUBE oder der Programmierer DYL eingefügt wurde, ist das Gerät einige Sekunden spannungsfrei zu setzen, um die manuelle Prozedur ausführen zu können.

Der Kontakt der Fotozelle ist auf den Klemmen COM und PH zu fertigen. Um die Fotozelle auszuschließen, ist der linke Dip-Schalter nach oben zu verschieben. Nachdem der Dip-Schalter betätigt wurde, beginnen die LEDs L1 und L2 schnell zu blinken.

### ⚠ ACHTUNG !

**DIE DEAKTIVIERUNG DES EINGANGS PH DURCH GLECHZEI-**

PHASE BESCHREIBUNG	
1	Eine Fernsteuerung programmieren, wenn keine bereits gespeicherte Fernsteuerung verfügbar ist, oder auf der Steuereinheit die Taste SBS bedienen
2	Wenn der Schlitten nie manuell bewegt wurde, muss sich das Tor mit dem an der Führung angekuppelten Schlitten in der Teilöffnungsposition befinden
3	Auf die Taste SBS einer gespeicherten Fernsteuerung drücken, oder auf die Taste SBS auf der Steuereinheit, oder auf eine externe am SBS-Eingang der Steuereinheit angeschlossene Taste

**TIGES DRÜCKEN DER DRUCKSCHALTER MENÜ UND RADIO BESTÄTIGEN UND DIESE GEDRÜCKT HALTEN, BIS DIE LEDS L1 UND L2 NICHT MEHR BLINKEN.**


Die Eingänge der Schaltleiste EDGE sind auf den Klemmen EDGE und EDGE zu fertigen. Um die Schaltleiste auszuschließen, den rechten Dip-Schalter nach oben verschieben. Nachdem der Dip-Schalter betätigt wurde, beginnen die LEDs L1 und L2 schnell zu blinken.

### ⚠ ACHTUNG !

**DIE DEAKTIVIERUNG DES EINGANGS PH DURCH GLECHZEITIGES DRÜCKEN DER DRUCKSCHALTER MENÜ UND RADIO BESTÄTIGEN UND DIESE GEDRÜCKT HALTEN, BIS DIE LEDS L1 UND L2 NICHT MEHR BLINKEN.**

Hinweise: Die LED-Intensität nimmt während der Bewegung der Tür ab

Andernfalls wie nachstehend erläutert fortsetzen:

	Das Tor muss eine Öffnung mit niedriger Geschwindigkeit ausführen
4	 <b>ACHTUNG !</b> <b>Wenn das Tor schließt, nochmals auf die Taste drücken, um es zu stoppen und erneut, um die Richtung umzukehren. Die Prozedur ist nur dann erfolgreich, wenn das erste Manöver eine Öffnung ist und so endet, dass der Schlitten gegen den zuvor positionierten mechanischen Anschlag prallt</b>
5	Das Tor bewegt sich in die Komplettöffnungsposition, bis der Schlitten den mechanischen Anschlag erreicht, hält eine Sekunde an und nimmt dann die Schließbewegung wieder auf, bis das Manöver komplettiert ist
6	Die Maße sind gespeichert
7	Vom Endschaltpunkt unterbrechungslos MINDESTENS ein zweites komplettes Öffnungsmanöver und ein zweites komplettes Schließmanöver ausführen, damit die Steuereinheit die Kraftaufwände des Motors am Laufweg entlang speichern kann
8	Falls es der Automatisierung nicht gelingen sollte, das Manöver zu komplettieren, ist zu prüfen, dass am Laufweg entlang keine mechanisch stockenden Stellen vorliegen; außerdem die Auswuchtung des Tors kontrollieren und eventuell den Parameter der Hindernisempfindlichkeit herabsetzen
9	<p>Zur Neueinstellung der Öffnungs- und Schließmaße:</p> <p>Die MENÜ-Taste drücken und gedrückt halten, bis die LED L1 einschaltet und wieder ausschaltet  Die MENÜ-Taste wieder freisetzen. Die LED L1 führt lange Blinkvorgänge aus  Erneut auf die MENÜ-Taste drücken, und zwar beim:</p> <p>5. Blinken für den Motor HALO 800  6. Blinken für den Motor HALO 1200</p> <p>Wenn die Prozedur erfolgreich war, blinkt die LED L1 einmal lang, andernfalls wird sie mehrmals schnell blinken</p> <p>Die Prozedur ab dem obigen Punkt 4 wiederholen</p>

#### 4.13 - Ändern eines Parameters der Steuereinheit

Wenn das Wireless-Modul KUBE PRO verfügbar ist, dieses an der Steuereinheit anschließen (ABB. 49, 50) und die Anweisungen am Bildschirm befolgen.

Wenn das Kabel-Modul DYL verfügbar ist, dieses an der Steuereinheit anschließen und die Anweisungen am Bildschirm befolgen. Andernfalls wie nachstehend erläutert fortsetzen:

##### PHASE BESCHREIBUNG

1	So oft auf die MENÜ-Taste drücken, wie die Nummer des zu ändernden Parameters (TAB. 3 - P. 51)
2	Die LED L1 leistet so viele schnelle Blinkvorgänge mit zwischendurch einer Pause, wie die Nummer des zu ändernden Parameters
3	Die MENÜ-Taste drücken und mehr als 3 Sekunden lang gedrückt halten
4	Die LED L1 bleibt ausgeschaltet
5	Die MENÜ-Taste wieder freisetzen
6	Die LED L1 beginnt lange Blinkvorgänge durchzuführen; die Zahl dieser Blinkvorgänge entspricht dem maximal vom Parameter einstellbaren Wert. Nach dem letzten Blinkvorgang endet die Prozedur ohne irgendeine Änderung am Parameter
7	Beim Blinkvorgang, der dem Wert des gewünschten Parameters entspricht, kurz auf die MENÜ-Taste drücken
8	Wenn die Prozedur erfolgreich war, blinkt die LED L1 einmal lang, andernfalls wird sie mehrmals schnell blinken

#### 4.14 - Reset der Parameter der Steuereinheit

##### PHASE BESCHREIBUNG

1	Die MENÜ-Taste drücken und gedrückt halten, bis die LED L1 einschaltet und wieder ausschaltet
2	Die MENÜ-Taste wieder freisetzen
3	Die LED L1 beginnt lange Blinkvorgänge auszuführen
4	Beim 3. Blinken erneut auf die MENÜ-Taste drücken
5	Wenn die Prozedur erfolgreich war, blinkt die LED L1 einmal lang, andernfalls wird sie mehrmals schnell blinken

#### 4.15 - Loch für den Intrusionsschutzmechanismu

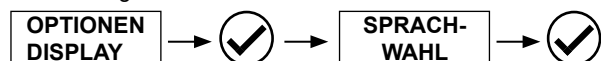
Das Tor schließen (vom Motor gesteuert), die Position des Schlittens von der dem Garagentor gegenüberliegenden Seite mit einem Bleistift markieren. Den Schlitten entsperren und mit dem Bohrer, dort wo sich die Markierung befindet, ein 10 mm-Loch an der Mitte

der Führung fertigen (ABB. 51).

Um festzustellen, ob der Mechanismus korrekt funktioniert, das Tor manuell schließen, den Schlitten wieder betriebsfähig machen und versuchen, das Tor manuell zu öffnen.

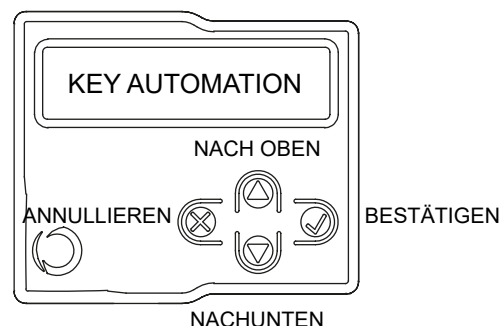
## 4.16 - Verwendung des Programmierdisplays

Zur Personalisierung der Sprache des Programmierers, folgendermaßen vorgehen:



**WICHTIG:** Wenn das Display erstmals eingeschaltet wird, wird die Wahl der Sprache verlangt. Auf ▲ oder ▼ drücken, um die gewünschte Sprache zu wählen, dann mit V bestätigen. Wenn keine Sprachwahl erfolgt (Drücken der Taste X), benutzt die Steuereinheit bis zur nächsten Wiedereinschaltung die Defaultsprache (ENGLISCH).

Im Normalmodus, d.h. wenn das System normal gespeist wird und das Programmierdisplay angeschlossen ist, auf X drücken, bis der Schriftzug „Key Automation“ erscheint. In dieser Weise sind folgende Zustandsmeldungen sichtbar:



EREIGNIS	BESCHREIBUNG	BLINKANZEIGE UND LED ZENTRALE STEUERUNGEN
Öffnung	Tor in Öffnungsphase	
Öffnung der Lüftung	Tor in Öffnungsphase für die Lüftung	
Schließung	Tor in Schließphase	
Schließautomatik	Tor geöffnet mit aktiver zeitgeschalteter Wiederschließung	
Stopp bei Schließung	Tor in Schließphase gestoppt	
Stopp bei Öffnung	Tor in Öffnungsphase gestoppt	
geöffnet	Tor komplett geöffnet ohne automatische Wiederschließung	
zur Lüftung geöffnet	Tor zur Lüftung geöffnet ohne automatische Wiederschließung	
geschlossen	Tor komplett geschlossen	
Programmierung	Während der Programmierungsphase	2-maliges schnelles Blinken + Pause + 1 Blinken
Hindernis	Hindernis erkannt Motor	4-maliges schnelles Blinken + 3 Mal Pause
Foto!	Fotozelle angesprochen	2-maliges schnelles Blinken + 3 Mal Pause
Schaltleiste!	Schaltleiste angesprochen	5-maliges schnelles Blinken + 3 Mal Pause
Teilöffnung	Teilöffnung im Gang	
automatische Teilschließung	Tor in Teilöffnungsphase mit aktiver zeitgeschalteter Wiederschließung	
automatische Schließung Lüftung	Tor geöffnet zur Lüftung mit aktiver zeitgeschalteter Wiederschließung	
Fehler FLASH/LED	Überlast Ausgang FLASH und LED	6-maliges schnelles Blinken + 3 Mal Pause
Fehler Fototest	Fehler Fototest erkannt	3-maliges schnelles Blinken + 3 Mal Pause
Fehler Endschalter!	Fehler am Endschalter/mechanischen Anschlag erkannt	8-maliges schnelles Blinken + 3 Mal Pause
Fehler Speicher	Fehler am Speicher erkannt	10-maliges schnelles Blinken + 3 Mal Pause

## 4.17 - Anschluss des Wireless-Moduls KUBE PRO / KUBE

**Bevor irgendein Vorgang durchgeführt wird, ist das Gerät spannungsfrei zu setzen.**

Den Kunststoff-Schutzdeckel des Verbinders des KUBE Moduls entfernen. Die Kunststoffgehäuse entfernen (ABB. 49) und die Karte in den entsprechenden Eingang stecken (ABB. 50).

### ⚠ ACHTUNG !

**Nachdem es aus dem Behälter entfernt wurde, ist das KUBE Modul extrem vorsichtig zu handhaben.**

### ⚠ ACHTUNG !

**Die Positionierung des KUBE Moduls auf dem Verbinder der Steuereinheit sorgfältig prüfen (ABB. 50).**

Mit den Programmierern KUBE PRO und DYL ist es zusätzlich zu den (TAB. 3) Parametern auch möglich, die folgenden Parametern zu ändern:

- Geschwindigkeit beim Öffnen \*
- Geschwindigkeit der Verlangsamung beim Öffnen
- Geschwindigkeit beim Schließen \*
- Geschwindigkeit der Verlangsamung beim Schließen \*
- Verlangsamungsweite beim Öffnen \*
- STOP-Kontakt

- Verlangsamungsweite beim Schließen \*
- Fototest
- Test Schaltleiste
- Weite Teilöffnung
- Weite Lüftungsfunktion der Garage
- Zeit automatische Teilschließung
- Zeit für automatische Teilschließung
- Betriebsmodalität Blinkleuchte
- Zeit für Vorblinken
- Lichtintensität am Ende der Bewegung
- Betrieb der integrierten Umfeldleuchte
- Betrieb nach Stromausfall
- Blinkaktivierung für die Wartung
- Default
- Sperre der Eingänge mit Passwort
- Sperre des Empfängers mit Passwort

zur Änderung die Anweisungen am Bildschirm befolgen.

### ⚠ ACHTUNG !

**\* Nach der Änderung des Parameters sind obligatorisch mindestens zwei komplette Manöver auszuführen, damit die Steuereinheit die Kraftaufwände des Motors am Laufweg entlang speichern kann**

## 5 - PRÜFUNG UND INBETRIEBNAHME DER AUTOMATISIERUNG

Die Endabnahme der Anlage muss von einem qualifizierten Techniker durchgeführt werden, der die durch die einschlägigen Bestimmungen je nach bestehenden Gefahren vorgesehenen Prüfungen ausführt und die Einhaltung der Anforderungen prüft.

Besonders zu berücksichtigen ist hierbei die Norm EN12453, welche die Prüfverfahren für die Automatisierung von Türen und Toren festlegt.

### 5.1 - Prüfung

Alle Komponenten der Anlage müssen gemäß den jeweiligen Anweisungen der Handbücher endgeprüft werden.

Kontrollieren, dass die Anweisungen des Kapitels 1 – Anweisungen zur Sicherheit beachtet werden.

Kontrollieren, dass sich das Tor oder die Tür nach der Entriegelung der Automatisierung frei bewegen können und sich in jeder Stellung im Gleichgewicht befinden und stillstehen.

Die korrekte Funktion aller verbundenen Vorrichtungen (Fotозellen, Schaltleisten, Notschalter und anderes) kontrollieren, indem man mit den angeschlossenen Steuervorrichtungen (Sender, Tasten, Wahlschalter) alle Proben der Öffnung, Schließung und Blockierung des Tors oder der Tür durchführt.

Die Messungen der Aufprallkraft nach EN12453 durchführen, dabei Geschwindigkeit, Motorkraft und Verlangsamungen des Steuergeräts einstellen, falls die Messungen nicht die gewünschten Werte zeigen.

### 5.2 - Inbetriebnahme

Nach positiver Prüfung aller (und nicht nur einiger) Vorrichtungen der Anlage kann die Inbetriebnahme vorgenommen werden.

Die technischen Unterlagen der Anlage müssen ausgestellt und 10 Jahre lang aufbewahrt werden; sie umfassen den Schaltplan, die Zeichnung oder ein Foto der Anlage, die Risikoanalyse und die jeweiligen Lösungen, die Konformitätserklärung des Herstellers bezüglich aller angeschlossenen Vorrichtungen und den Wartungsplan der Anlage.

Am Tor oder an der Tür ein Schild mit den Daten der Automatisierung, dem Namen des Verantwortlichen der Inbetriebnahme, der Seriennummer, dem Herstellungsjahr sowie dem CE-Zeichen anbringen.

Ein Schild mit den notwendigen Handgriffen zur manuellen Entriegelung der Anlage anbringen.

Die Konformitätserklärung ausfüllen und dem Endbenutzer zusammen mit der Gebrauchsanweisung und dem Wartungsplan der Anlage aushändigen.

Sicherstellen, dass der Benutzer den automatischen und manuellen Betrieb und die Notausschaltung der Automatisierung verstanden hat.

Den Endbenutzer auch schriftlich über Gefahren und Risiken informieren.

#### ACHTUNG !

**Nach Erkennen eines Hindernisses hält das Tor oder die Tür während der Öffnung an und die automatische Schließung wird ausgeschlossen. Um die Bewegung fortzusetzen, muss man die Bedientaste drücken oder den Sender benutzen.**

# ÍNDICE

<b>1</b>	<b>Avisos sobre a segurança</b>	pág. 71
<b>2</b>	<b>Informações sobre o produto</b>	pág. 73
2.1	Descrição do produto	pág. 73
2.2	Composição	pág. 73
2.3	Modelos e características técnicas	pág. 73
2.4	Especificações técnicas	pág. 74
2.5	Lista de cabos necessários	pág. 74
<b>3</b>	<b>Controlos preliminares</b>	pág. 75
<b>4</b>	<b>Instalação do produto</b>	pág. 75
4.1	Montagem e instalação do Halo com guia com leds	pág. 75
4.2	Montagem da guia de 3 partes	pág. 76
4.3	Montagem da guia de 1 parte	pág. 76
4.4	Ligação do corpo do motor às guias de aço	pág. 76
4.5	Instalação com corpo do motor no veio porta-molas ou na viga	pág. 76
4.6	Instalação normal	pág. 76
4.7	Abertura manual do portão	pág. 76
4.8	Fixação do fim de curso de abertura da guia com leds	pág. 76
4.9	Fixação do fim de curso de abertura da guia de aço	pág. 76
4.10	Ligações elétricas	pág. 76
4.11	Programação dos comandos	pág. 77
4.12	Memorização das quotas de abertura e fecho	pág. 78
4.13	Modificação de um parâmetro da central	pág. 79
4.14	Reset à central	pág. 79
4.15	Furo para mecanismo contra intrusão	pág. 79
4.16	Utilização do programador com ecrã	pág. 80
4.17	Ligação do módulo wireless KUBE PRO / KUBE	pág. 80
<b>5</b>	<b>Ensaio e colocação em serviço</b>	pág. 81
5.1	Ensaio	pág. 81
5.2	Colocação em serviço	pág. 81
<b>6</b>	<b>Declaração CE de conformidade</b>	pág. 95

## 1 - AVISOS SOBRE A SEGURANÇA

### **⚠ ATENÇÃO !**

**INSTRUÇÕES ORIGINAIS – instruções importantes de segurança. É importante para a segurança das pessoas observar as seguintes instruções de segurança. Conservar estas instruções.**

Ler com atenção as instruções antes de instalar.

**O projeto e o fabrico dos dispositivos que compõem o produto e as informações presentes neste manual respeitam as normas vigentes sobre segurança. Porém, a instalação ou a programação inadequada podem causar feridas graves às pessoas que fazem o trabalho e às que utilizarão o sistema. Por este motivo, durante a instalação, é importante seguir com atenção todas as instruções deste manual.**

Não fazer a instalação se houver dúvidas de qualquer natureza e solicitar eventuais esclarecimentos ao serviço de Assistência Key Automation.

**De acordo com a legislação Europeia, a realização de uma porta ou de um portão automático deve respeitar as normas previstas pela diretiva 2006/42/CE (Diretiva Máquinas) e, em especial, as normas EN 12453; EN 12635 e EN 13241-1, que permitem declarar a conformidade da automação.**

Tendo em conta o que precede, a ligação definitiva do automatismo à rede elétrica, o ensaio do sistema, a sua colocação em serviço e a manutenção periódica devem ser feitas por pessoal qualificado e experiente, respeitando as instruções indicadas na caixa “Ensaio e colocação em serviço da automação”.

Além disso, deverá definir os ensaios previstos de acordo com os riscos presentes e verificar que sejam cumpridas as leis, normas e regulamentos, sobretudo todos os requisitos da norma EN 12453 que estabelece os métodos de ensaio para o controlo dos automatismos para portas e portões.

### **⚠ ATENÇÃO !**

**Antes de iniciar a instalação, fazer as seguintes análises e controlos.**

Verificar se todos os dispositivos destinados à automação são adequados ao sistema a realizar. Para tal, controlar cuidadosamente os dados no capítulo “Características técnicas”. Não fazer a instalação mesmo se apenas um destes dispositivos não for apropriado para a utilização.

Verificar se os dispositivos adquiridos são suficientes para garantir a segurança do sistema e o seu funcionamento.

Analisar os riscos, verificando também a lista dos requisitos essenciais de segurança constantes do Anexo I da Diretiva Máquinas, e indicar as soluções adotadas. A análise dos riscos é um dos documentos que fazem parte do processo técnico da automação. O processo deve ser preenchido por instalador profissional.

**Considerando as situações de risco que podem ocorrer durante as fases de instalação e de utilização do produto, é necessário instalar a automação, observando as seguintes indicações:**

não fazer modificações em nenhuma parte do automatismo se não as indicadas neste manual. Operações deste tipo podem causar funcionamento defeituoso. O fabricante declina qualquer responsabilidade por danos que resultam de produtos alterados de forma abusiva.

Evitar que as partes dos componentes da automação possam ficar submersas em água ou em outros líquidos. Durante a instalação, evitar que os líquidos possam penetrar nos dispositivos presentes;

Se o fio elétrico estiver danificado, este deve ser substituído pelo fabricante ou por seu serviço de assistência técnica ou, todavia, por uma pessoa com qualificação similar, de modo a prevenir qualquer risco;

Se substâncias líquidas penetrarem nas partes dos componentes da automação, desligar de imediato a alimentação elétrica e contactar o serviço de Assistência Key Automation. A utilização da automação nestas condições pode causar situações de perigo;

Manter os componentes da automação afastados do calor e de chama aberta. Isso pode danificá-los e ser causa de funcionamento defeituoso, incêndio ou situações de perigo.

### **⚠ ATENÇÃO !**

**A unidade deve ser desligada da fonte de alimentação durante a limpeza, manutenção e substituição de componentes. Se o dispositivo de desligar não for visível, colocar um aviso com a seguinte mensagem: “MANUTENÇÃO EM CURSO”:**

Todos os dispositivos devem ser ligados a uma

instalação elétrica equipada com ligação à terra de segurança;

O produto não pode ser considerado um sistema de proteção eficaz contra a intrusão. Se desejar proteger-se de forma eficaz, é necessário agregar na automação outros dispositivos;

O produto só pode ser utilizado depois que foi feita a “colocação em serviço” da automação, conforme previsto no parágrafo “Ensaio e colocação em serviço da automação”;

Instalar na rede de alimentação do sistema um dispositivo de corte de corrente com uma distância de abertura entre os contactos que permita cortar a corrente completamente nas condições estabelecidas pela categoria de sobretensão III;

Para a ligação de tubos rígidos e flexíveis ou passa-fios, utilizar ligações conformes ao grau de proteção IP55 ou superior;

O sistema elétrico a montante da automação deve cumprir as normas vigentes e ser realizado como manda a lei;

o aparelho pode ser utilizado por crianças de idade não inferior a 8 anos e por pessoas com capacidade física, sensorial ou mental reduzida, ou que não tenha experiência ou a consciência necessária, à condição que sob supervisão ou depois de terem recebido instruções sobre a utilização segura do aparelho e se compreenderam os perigos existentes;

Antes de ligar a automação, assegurar-se que as pessoas não estejam perto da mesma;

Antes de fazer qualquer operação de limpeza e de manutenção da automação, desligar da corrente elétrica;

Deve-se ter cuidado para evitar o esmagamento entre a parte guiada e eventuais elementos fixos circundantes;

As crianças devem ser supervisionadas para garantir que não brinquem com o aparelho.

o acionador não deve ser usado com portas que tenham aberturas com diâmetro superior a 50 mm ou que tenham arestas ou partes salientes, às quais alguém possa agarrar-se ou onde possa pendurar-se;

o aparelho não pode ser utilizado com uma porta automatizada que possui uma porta para peões;

em caso de deteção de um obstáculo durante o fe-

cho, o portão inverte o curso e liberta o obstáculo até se abrir totalmente;

instalar o controlo para libertação manual a uma altura inferior a 1,80 m. Se for amovível, o controlo deve ser guardado num local próximo da porta;

instalar qualquer controlo fixo a uma altura de, pelo menos, 1,50 m e à vista da porta, embora afastado de quaisquer peças móveis;

fixar, de forma permanente, as etiquetas de aviso contra entalamento, num local facilmente visível ou próximo de quaisquer controlos fixos (Fig. 1 Pág. 54);

após a instalação, certifique-se de que o mecanismo está devidamente regulado e que o acionador faz o movimento inverso ou se, quando a porta entra em contacto com um objeto com altura de 50 mm pousado no pavimento, esse objeto pode ser libertado (para acionadores equipados com sistema de proteção contra entalamento, ativado por contacto com o extremo inferior da porta);

após a instalação, certifique-se de que partes da porta não ocupe o caminho de peões ou a estrada;

se o dispositivo for fornecido com um botão de paragem independente, esse botão deve ser claramente identificável.

### **⚠ ATENÇÃO !**

**Examine periodicamente o sistema para verificar se há desalinhamentos ou sinais de desgaste mecânico, danos nos cabos, molas, peças de suporte.**

**Não use se é necessária a reparação ou ajuste.**

### **⚠ ATENÇÃO !**

**Os componentes da embalagem (papelão, plástico, etc.), devidamente separados, devem ser colocados nas lixeiras apropriadas. Os componentes do dispositivo, como placas eletrônicas, partes metálicas, baterias, etc., devem ser separados e diferenciados. Para os métodos de eliminação, devem ser aplicadas as regras em vigor no local de instalação. NÃO DESCARTE NO MEIO AMBIENTE!**



**A KEY AUTOMATION reserva-se o direito de modificar estas instruções se necessário. Esta versão ou versão superior encontra-se no sítio [www.keyautomation.com](http://www.keyautomation.com)**



## 2 - INFORMAÇÕES SOBRE O PRODUTO

### 2.1 - Descrição do produto

Halo é um motorreductor eletromecânico irreversível para automatizar portões basculantes de até 17 m<sup>2</sup> e seccionados de até 19 m<sup>2</sup>. Halo tem encoder, central de comando e recetor de 4 canais incorporados. A guia é pré-montada na correia, e é composta de uma única parte ou de três partes.

Uma guia especial de alumínio, com pintura a pó e com leds incor-

porados, permite iluminar a garagem durante a movimentação ou em qualquer momento.

A forma especial achatada do corpo do motor permite também a sua instalação em posição menos invasiva, perto da viga do portão e do veio porta-molas.

### 2.2 - Composição

O sistema de automatização para portões de garagem é entregue em duas caixas com a embalagem do sistema de automatização e com a embalagem da guia:

FIG. 1 conteúdo da embalagem da cabeça com lista de compo-

nentes

FIG. 2 guia com leds

FIG. 3 guia de aço de uma só parte

FIG. 4 guia de aço de 3 partes

### 2.3 - Modelos e características técnicas

CÓDIGO	DESCRIÇÃO	POTÊNCIA
900HA8	Para portões seccionados de até 11 m <sup>2</sup> (com guia de 3 m) ou de 12 m <sup>2</sup> (com guia de 4 m), motor 24 Vdc e central com recetor incorporado e alimentação 230 Vac	800N
900HA12	Para portões seccionados de até 16 m <sup>2</sup> (com guia de 3 m) ou de 19 m <sup>2</sup> (com guia de 4 m), motor 24 Vdc e central com recetor incorporado e alimentação 230 Vac	1200N
900HA12E	Para portões seccionados de até 16 m <sup>2</sup> (com guia de 3 m) ou de 19 m <sup>2</sup> (com guia de 4 m), "Low Energy" com motor 24 Vdc e central com recetor incorporado e alimentação 230 Vac	1200N
900HA12L	Para portões seccionados de até 16 m <sup>2</sup> (com guia de 3 m) ou de 19 m <sup>2</sup> (com guia de 4 m), motor 24 Vdc e central com recetor incorporado e alimentação 120 Vac	1200N

#### COMPATIBILIDADE CABEÇA/GUIA

	HA8	HA12 - HA12E - HA12L
900RAB31	X	X
900RAB3X1P	X	X
900RAB41	X	X
900RAB2X2P	X	X
900RAB61		X
900RAL31		X
900RAL41		X

#### DADOS TÉCNICOS

	900HA8	900HA12	900HA12E	900HA12L
Velocidade	15 cm/s	15 cm/s	15 cm/s	15 cm/s
Força	800 N	1200 N	1200 N	1200 N
Ciclos/hora máx. <sup>(1)</sup>	20	20	20	20
Ciclos consecutivos/hora máx. <sup>(1)</sup>	10	10	10	10
Potência nominal	80w	100w	100w	100w
Potência stand-by	5,5 W	5,5 W	<0,5 W	5,5 W
Alimentação	230vac (±10%) 50hz	230vac (±10%) 50hz	230vac (±10%) 50hz	120vac (±10%) 50/60hz
Pirilampo	3 W Max	3 W Max	3 W Max	3 W Max
Luz de cortesia em guia com leds incorporados - Saída de alimentação dos acessórios		40 W Max	40 W Max	40 W Max
Fusível 1 linha de alimentação	1AT	1AT	1AT	2AT
N.º máx. de emissores memorizáveis ROLLING CODE	90	90	90	90
Grau de proteção	IP 20	IP 20	IP 20	IP 20
Utilização em atmosfera particularmente ácida, salina ou explosiva	No	No	No	No
Dimensões (compr. - prof. - alt.)	235-330-84 mm	235-330-84 mm	235-330-84 mm	235-330-84 mm
Peso	6,25 Kg	6,8 Kg	6,8 Kg	6,8 Kg
Temperatura de utilização	-10°C/+45°C	-10°C/+45°C	-10°C/+45°C	-10°C/+45°C
Dimensão máxima do portão	12 m <sup>2</sup>	19 m <sup>2</sup>	19 m <sup>2</sup>	19 m <sup>2</sup>
Peso máximo do portão	120 Kg	200 Kg	200 Kg	200 Kg

<sup>(1)</sup> para portão de até 2 m de altura

## LIMITES DE UTILIZAÇÃO

Seccionado	Basculante distendido
<b>900HA8 com guia de 3 m</b>	
S max=11m <sup>2</sup> H max = 2,6m	S max=10m <sup>2</sup> H max = 3m
<b>900HA8 com guia de 4 m</b>	
S max=12m <sup>2</sup> H max = 3,6m	S max=11m <sup>2</sup> H max = 3,4m

## LIMITES DE UTILIZAÇÃO

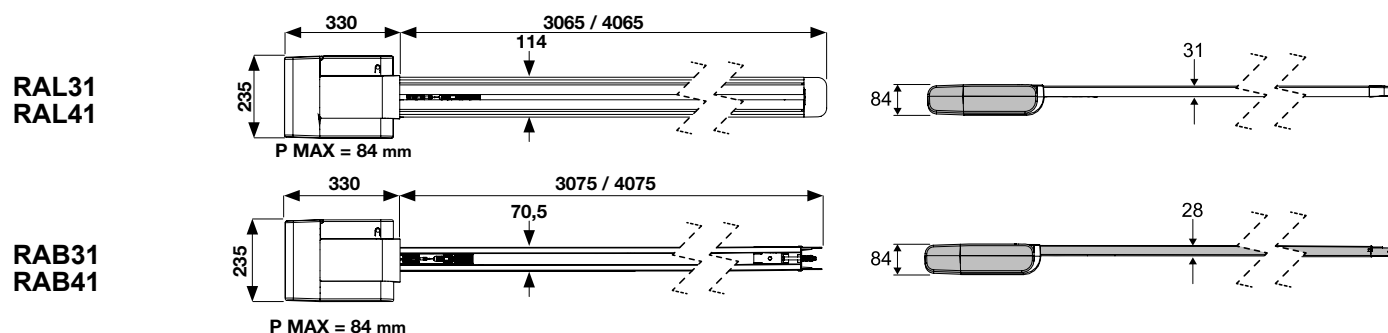
Seccionado	Basculante distendido
<b>900HA12, 900HA12E, 900HA12L com guia de 3 m</b>	
S max=16m <sup>2</sup> H max = 2,6m	S max=16m <sup>2</sup> H max = 3m
<b>900HA12, 900HA12E, 900HA12L com guia de 4 m</b>	
S max=19m <sup>2</sup> H max = 3,6m	S max=17m <sup>2</sup> H max = 3,4m

## 2.4 - Especificações técnicas

## Modelo e utilização recomendada - Guia e dimensões disponíveis

MODELO	MATERIAL	OBSERVAÇÕES	TIPO DE TRAÇÃO	COMPRIMENTO TOTAL	CURSO DA GUIA
900RAL31	Alumínio	Iluminação com leds incorporados	Correia	3090 mm (1x3m)	2660 mm
900RAL41	Alumínio	Iluminação com leds incorporados	Correia	4090 mm (1x4m)	3660 mm
900RAB3X1P	Aço		Correia	3100 mm (3x1.03m)	2670 mm
900RAB31	Aço		Correia	3100 mm (1x3.1m)	2670 mm
900RAB41	Aço		Correia	4100 mm (1x4.1m)	3670 mm
900RAB2X2P	Aço		Correia	4100 mm (2x2.05m)	3670 mm

Os dados fornecidos podem variar consoante o deslizamento e balanceamento do portão e do tipo de guia utilizado.



## 2.5 - Lista de cabos necessários

Para o sistema padrão, os cabos necessários para ligar os vários dispositivos estão indicados no quadro com a lista de cabos. Os cabos utilizados devem ser adequados ao tipo de instalação. Por

exemplo: recomenda-se um cabo elétrico tipo H03VV-F para instalação em interiores ou H07RN-F se instalado no exterior.

## QUADRO COM A LISTA DE CABOS

LIGAÇÃO	TIPO DE CABO	COMPRIMENTO MÁXIMO PERMITIDO
Linha elétrica de alimentação	Schuko CEE 7/4	
Pirilampo, luz de cortesia	1 x cabo 3 x 0,5 mm <sup>2</sup>	20 m
Antena	1 x cabo tipo RG58	20 m (recomendado < 5 m)
Fotocélulas do emissor	1 x cabo 2 x 0,5 mm <sup>2</sup>	20 m
Fotocélulas do recetor	1 x cabo 4 x 0,5 mm <sup>2</sup>	20 m
Borda sensível rádio (*)	1 x cabo 4 x 0,5 mm <sup>2</sup>	<2 m
Seletor de chave	1 x cabo 2 x 0,5 mm <sup>2</sup>	20 m

Se, na proximidade do aparelho, não houver uma tomada adequada, contactar um técnico qualificado para a sua instalação.

(\*): consultar as instruções do fabricante

### 3 - CONTROLOS PRELIMINARES

Antes de instalar o produto, verificar e controlar os pontos indicados a seguir.

- Controlar se o portão é apto a ser automatizado
- O peso e a dimensão do portão devem estar nos limites de utilização referidos para o automatismo em que é instalado o produto
- Controlar a presença e a solidez dos batentes de segurança do portão
- Verificar se a zona de fixação do produto não está sujeita a alargamentos
- Condições de acidez ou salinidade elevada ou a proximidade de fontes de calor podem causar falhas no produto
- Em caso de condições climáticas extremas (neve, gelo, excursão térmica elevada, temperaturas elevadas, por exemplo), o atrito pode aumentar e, portanto, a força necessária para a movimen-

tação e o arranque inicial podem ser superiores à necessária em condições normais

- Controlar se é fácil movimentar manualmente o portão e se não apresenta zonas de maior atrito ou se há risco de sair da guia
- Controlar se o portão está equilibrado e se permanece parado se deixado em qualquer posição
- Verificar se a linha elétrica à qual será ligado o produto possui ligação à terra adequada e se é protegida por um dispositivo termomagnético e diferencial
- Instalar na rede de alimentação do sistema um dispositivo de corte de corrente com uma distância de abertura entre os contactos que permita cortar a corrente completamente nas condições estabelecidas pela categoria de sobretensão III
- Verificar se todo o material utilizado para a instalação está em conformidade com as normas vigentes

### 4 - INSTALAÇÃO DO PRODUTO

#### 4.1 - Montagem e instalação do Halo com guia com leds

Antes de iniciar a montagem, verificar se há todas as ferramentas necessárias (FIG. 5).

Posicionar a guia numa superfície plana, protegendo-a contra eventuais riscos. Remover a tampa de plástico e retirar o seu conteúdo.

Mover a polia de transmissão até que o parafuso saia mais pela extremidade da guia, desatarraxar a porca, colocar a mola de esticamento e atarraxar a porca até esticar a correia (FIG. 6, 7). Aproximar a cabeça da guia e apoiá-la numa superfície plana, protegendo a tampa inferior de eventuais riscos. Retirar a tampa traseira premindo os dois pontos indicados (FIG. 8).

Retire a tampa branca (FIG. 9), cortar com um cortador os dois retângulos na tampa branca e retirá-los. (Fig. 10).

Abrir a portinhola indicada cortando o plástico com um cortador e levantando-a com prudência (FIG. 11), em seguida colocar a placa de regulação dos leds (incluída na embalagem da guia) com os cabos já inseridos (FIG. 2, 12). Fechar com prudência a tampa. Posicionar os cabos nas respetivas aberturas, colocando o cabo sem conector no orifício indicado (FIG. 12).

Inserir o adaptador metálico no furo da guia utilizando um martelo de borracha (FIG. 13), em seguida inserir a guia na cabeça, tendo o cuidado de fazer corresponder as ranhuras do adaptador com as do perno do motor (FIG. 14) e ligar o conector (FIG. 15).

#### ATENÇÃO!

**Verificar se os cabos estão dentro das sedes previstas antes de posicionar e atarraxar a placa superior (FIG. 16) para evitar que os cabos sejam esmagados. Atarraxar os 4 parafusos philips.**

Abrir a portinhola lateral, retirar o cabo e ligar os fios à central (FIG. 17). Fechar a portinhola.

Apoiar o motor no veio porta-molas (FIG. 18), levantar a guia e posicioná-la paralela em relação ao piso, medir a quota A (distância entre a guia e o teto) e cortar a barra roscada (**A - 5 cm**) conforme mostra a figura (FIG. 19). A barra roscada e os componentes de fixação estão incluídos na guia com LED.

Montar os componentes da barra roscada (FIG. 20). Fixar a barra roscada no teto utilizando parafusos adequados ou buchas (não fornecidos de série) (FIG. 21). Montar e colocar a parte inferior da placa de fixação na guia fazendo-a deslizar nas aberturas (FIG. 22), em seguida colocar a tampa de plástico na guia.

Ligar a barra roscada à porca sextavada alta na guia rodando a barra, até que entre cerca de 1 cm e até que a guia fique perfeitamente

horizontal. Em seguida, atarraxar as porcas consoante a sequência referida (FIG. 23).

Inserir os parafusos compridos e aparafusá-los à mão, para permitir que as porcas entrem na sede (FIG. 24). Deixar que os parafusos fiquem salientes poucos milímetros, de modo a poder inserir a placa na abertura prevista. Utilizar a abertura para posicionar a placa na viga e marcar as posições dos orifícios (FIG. 25).

Deslocar o motor lateralmente e fixar a placa utilizando parafusos adequados e buchas (não fornecidos de série) (FIG. 26).

Voltar a posicionar o motor na placa.

#### ATENÇÃO!

**Em seguida, atarraxar parcialmente os parafusos laterais compridos (FIG. 38). Não atarraxar com força para não partir a sede das porcas.**

Apertar as contra-porcas (FIG. 27) e atarraxá-las por completo, mantendo parados os parafusos com uma chave de boca.

#### ATENÇÃO!

**Não rodar os parafusos para evitar partir as sedes das porcas; rodar apenas as contra-porcas para as atarraxar.**

Atarraxar os fixadores inferiores (FIG. 28).

Atarraxar a placa na parte superior do portão, na posição central (FIG. 29) e exatamente no centro da placa em C (FIG. 26). Adotar todas as medidas referidas (Quadro 1A) e compor o braço de ligação com as partes indicadas (Quadro 2).

Desbloquear o carro utilizando o cordão de desbloqueio (FIG. 30).

Puxar a ponte do carro, inserir o braço curvo e respetivo perno no interior (FIG. 31, 32, 33, 34) e atarraxar os 2 parafusos de cabeça escareada de fecho da ponte. Atarraxar também os 2 parafusos de cabeça escareada de forma simétrica à outra extremidade do carro.

Ligar o braço ao portão (FIG. 35), então voltar a armar o carro movendo o cordão de desbloqueio para permitir que a alavanca recue e o bloqueie, movimentar o portão de forma manual até que engate (FIG. 36).

Retirar os autocolantes transparentes de proteção dos perfis difusores dos leds e da guia (FIG. 37).

Depois de feita a programação (parágrafos seguintes) fixar o parafuso de segurança (FIG. 52) e inserir a tampa branca (FIG. 53).

#### 4.2 - Montagem da guia de 3 partes

Montar a guia (FIG. 4), depois puxar a correia (FIG. 7)

#### 4.3 - Montagem da guia de 1 parte

Puxar a correia (FIG. 7)

#### 4.4 - Ligação do corpo do motor às guias de aço

Seguir as instruções do parágrafo 4.1 (FIG. 13, 14, 16)

#### 4.5 - Instalação com corpo do motor na viga



**ATENÇÃO!**

Para mais informações, consulte o parágrafo 4.1

Seguir as instruções do parágrafo 4.1 da FIG. 25, mas não ligar a placa à abertura, mas ao orifício único (FIG. 38) e de acordo com as instruções do quadro 1B e quadro 2.

Continuar de acordo com as instruções do parágrafo 4.1

#### 4.6 - Instalação normal



**ATENÇÃO!**

Para mais informações, consulte o parágrafo 4.1



**ATENÇÃO!**

**NÃO DESMONTE A TAMPA TRASEIRA!**

Fixar a placa à viga (FIG. 26), depois ligar a guia de aço utilizando um dos dois parafusos compridos fornecidos de série (FIG. 39) e de acordo com as instruções do quadro 1C e quadro 2.

Levantar a guia e posicioná-la paralela em relação ao piso, medir a quota A e cortar as placas no teto conforme indicado: quota **A + 3 cm** (FIG. 40). Colocar a placa de engate rápido, uni-la às placas no teto (FIG. 41, 42).

Fixar as placas no teto utilizando parafusos adequados e buchas (não fornecidos de série).

Seguir as instruções do parágrafo 4.1 da FIG. 29 a FIG. 35, inserindo o braço na abertura do carro que foi aberta anteriormente utilizando um cortador (FIG. 43).

#### 4.7 - Abertura manual do portão

Em caso de interrupção da corrente elétrica, e se não houver uma bateria tampão opcional, para desbloquear o automatismo:

FASE	DESCRIÇÃO
1	Puxar o cordão colocando a alavanca de desbloqueio na posição vertical (FIG. 30)
2	Levantar ou baixar o portão manualmente
3	Para armar de novo o automatismo, movimentar o cordão de modo a permitir que a alavanca de desbloqueio volte completamente para dentro do carro de arrastamento (FIG. 36)
4	Levantar ou baixar manualmente o portão até que se enganche na guia

#### 4.8 - Fixação do fim de curso de abertura da guia com leds

Desbloquear o carro, levantar manualmente o portão até colocá-lo na posição de abertura máxima possível indicada **H - 10 cm** (FIG. 44).

Marcar a posição de fim do carro com um lápis (FIG. 45), em seguida furar com um berbequim e fixar com o parafuso (FIG. 46).

#### 4.9 - Fixação do fim de curso de abertura da guia de aço

Desbloquear o carro, levantar manualmente o portão até colocá-lo na posição de abertura máxima possível indicada **H - 10 cm** (FIG. 44).

Fixar solidamente o fim de curso (FIG. 47).

#### 4.10 - Ligações elétricas



**ATENÇÃO!**

**Antes de fazer as ligações, verificar se a central não está ligada à alimentação elétrica.**

Seguir as ligações (FIG. 48)

LIGAÇÕES ELÉTRICAS	
COM	Comum saídas FLASH, LED
FLASH	Saída do pirilampo 24Vdc (não regulado), máximo 3W
LED	Saída da luz de cortesia 24Vdc (não regulado), máximo 20W
PH-POW	Saída positivo da alimentação das fotocélulas, 24Vdc (não regulado), máximo 100mA
NEG	Saída negativo da alimentação das fotocélulas
PH	Fotocélulas (fecho) contacto NC entre PH e COM
EDGE/EDGE	Entrada borda sensível, contacto NC, resistivo 8k2 ou resistivo duplo 8k2 (paralelo)

SBS	Comando PASSO A PASSO contacto NA entre SBS e COM Comando Abre/Stop/Fecha/Stop ou de acordo com a seleção software
STOP	STOP contacto NC entre STOP e COM. O contacto pode ser ativado em qualquer momento bloqueando de imediato o automatismo e desabilitando qualquer função, incluindo o fecho automático
COM	Comum entradas SBS, STOP
L1	Led VERMELHO de sinalização para a programação dos parâmetros da central
MENU	Tecla para a programação dos parâmetros da central
RADIO	Tecla para a programação dos parâmetros do recetor rádio incorporada
L2	Led VERDE de sinalização para a programação dos parâmetros do recetor rádio
KUBE/DYL	Conector para DYL e KUBE
SBS	Tecla SBS (PASSO A PASSO) para a movimentação do automatismo
DIP1/PH DIP2/EDGE	Dip switch para a desabilitação dos dispositivos de proteção (PH, EDGE) Ver FIG. 48
SHIELD	Antena - blindagem -
ANT	Antena - sinal -

A ligação do pirilampo com LED deverá ser efetuada nos bornes COM e FLASH.

A ligação da luz de cortesia deverá ser efetuada nos bornes COM e LED.

O contacto passo a passo SBS deverá ser efetuado nos bornes COM e SBS (contacto normalmente aberto NA).

O contacto da fotocélula deverá ser efetuado nos bornes COM e PH. **Para desativar a fotocélula, deslocar para cima o dip switch esquerdo. Após ter acionado o dip switch, os leds L1 e L2 ficam acesos com intermitência rápida.**

### ⚠ ATENÇÃO!

**CONFIRMAR A DESATIVAÇÃO DA ENTRADA PH PREMINDO**

**SIMULTANEAMENTE OS BOTÕES MENU E RADIO, MANTENDO-OS PREMIDOS ATÉ QUE A INTERMITÊNCIA DOS LEDS L1 E L2 PARE.**

As entradas da borda sensível EDGE deverão ser feitas nos bornes EDGE e EDGE. **Para desativar a borda sensível, deslocar para cima o dip switch direito. Após ter acionado o dip switch, os leds L1 e L2 ficam acesos com intermitência rápida.**

### ⚠ ATENÇÃO!

**CONFIRMAR A DESATIVAÇÃO DA ENTRADA EDGE PREMINDO SIMULTANEAMENTE OS BOTÕES MENU E RADIO, MANTENDO-OS PREMIDOS ATÉ QUE A INTERMITÊNCIA DOS LEDS L1 E L2 PARE.**

## 4.11 - Programação dos comandos

Se houver um módulo wireless KUBE PRO, ligá-lo à central (FIG. 49, 50) e seguir as instruções do ecrã.

Se houver um módulo por cabo DYL, ligá-o à central e seguir as

instruções do ecrã.





Caso contrário, continuar como referido a seguir:

### MEMORIZAÇÃO DE UM COMANDO





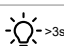
### ⚠ ATENÇÃO!

**Ativando a fase de memorização, qualquer emissor no campo de receção pode ser memorizado. Para reduzir o alcance do**




**recetor, desligar temporariamente a antena.**

FASE	DESCRIÇÃO	EXEMPLO
1	Premir e soltar a tecla RADIO um número de vezes igual à função que se deseja ativar: 1 vez para a função SBS (PASSO A PASSO ou ABRE - STOP - FECHA - STOP), 2 vezes para a função ABERTURA PARCIAL; 3 vezes para a função APENAS ABERTURA; 4 vezes para a função LUZ ON/OFF; 5 vezes para a função PRÉ-CONFIGURADA (tecla 1 = SBS, tecla 2 = ABERTURA PARCIAL, tecla 3 = APENAS ABERTURA, tecla 4 = LUZ ON/OFF) 6 vezes para a função TECLA MURAL (tecla 1 = FECHA/STOP, tecla 2 = ABRE/STOP, tecla 3 = VENTILAÇÃO, tecla 4 = LUZ ON/OFF)	
2	O Led L2 emite um número de sinais intermitentes correspondente à saída selecionada em intervalos de 1 segundo	
3	Dentro de 10 segundos, premir durante pelo menos 2 segundos a tecla do comando que se deseja memorizar	
4	Se a memorização for concluída, o LED L2 emitirá um sinal intermitente longo	
5	Para memorizar um outro comando na mesma saída, repetir o ponto 3	
Obs.	Depois de 10 segundos de inatividade, o recetor sai automaticamente da fase de programação	

## ELIMINAÇÃO DE UM COMANDO

FASE	DESCRIÇÃO	EXEMPLO
1	Premir a tecla RADIO até que se acenda o led L2 (cerca de 3 segundos)	
2	Dentro de 10 segundos, premir uma tecla do comando que se deseja eliminar até que o LED L2 no recetor se apague. Libertar a tecla do comando	
3	Cerca de 1 segundo após libertar a tecla, o LED L2 no recetor fica aceso com intermitência	
4	Confirmar a eliminação premindo a tecla RADIO	
5	Se a eliminação for concluída, o LED L2 emitirá 1 sinal intermitente longo	
Obs.	Depois de 10 segundos de inatividade, o recetor sai automaticamente da fase de eliminação	





## ELIMINAÇÃO DE TODA A MEMÓRIA DO RECETOR/RESET DO RECETOR

FASE	DESCRIÇÃO	EXEMPLO
1	Premir e manter premida a tecla RADIO até que se acenda o LED L2 (cerca de 3 segundos) e depois se apague (cerca de 3 segundos). Libertar a tecla	
2	Cerca de 1 segundo após libertar a tecla, o LED L2 no recetor fica aceso com intermitência	
3	Para a eliminação de toda a memória, premir a tecla RADIO quando for emitida a terceira intermitência	
4	Se a eliminação/reset for concluído, o LED L2 emitirá 1 sinal intermitente longo	

## MEMORIZAÇÃO À DISTÂNCIA DE UM COMANDO COM COMANDO JÁ MEMORIZADO

É possível memorizar um emissor sem aceder ao recetor. É necessário ter um emissor já memorizado e seguir as instruções abaixo.

O procedimento de cópia à distância deve ser efetuado na área de alcance do recetor.

FASE	DESCRIÇÃO	EXEMPLO
1	Premir durante pelo menos 5 segundos a tecla do novo comando que se deseja memorizar	
2	Premir durante pelo menos 3 segundos a tecla do velho comando que se deseja copiar (se a fase anterior 1 foi levada a cabo, o automatismo não se movimentará)	
3	Premir durante pelo menos 3 segundos a tecla do novo comando que se deseja memorizar	
4	Premir durante pelo menos 3 segundos a tecla do velho comando que se deseja copiar para confirmar e sair da fase de programação	
Obs.	Depois de 10 segundos de inatividade, o recetor sai automaticamente da fase de programação	

### 4.12 - Memorização das quotas de abertura e fecho

Se houver um módulo wireless KUBE PRO, ligá-lo à central (FIG. 49, 50) e seguir as instruções do ecrã.  
Se houver um módulo por cabo DYL, ligá-lo à central e seguir as instruções do ecrã.

#### ⚠ ATENÇÃO!

Se já foi inserido o módulo KUBE PRO, KUBE ou o programador DYL, desligar a alimentação do aparelho durante alguns segundos para poder utilizar o procedimento manual.

O contacto da fotocélula deverá ser efetuado nos bornes COM e PH. Para desativar a fotocélula, deslocar para cima o dip switch esquerdo. Após ter acionado o dip switch, os leds L1 e L2 ficam acesos com intermitência rápida.

#### ⚠ ATENÇÃO!

**CONFIRMAR A DESATIVAÇÃO DA ENTRADA PH PREMINDO**

FASE	DESCRIÇÃO
1	Fazer a programação de um comando se não se dispõe de um comando já memorizado ou utilizar a tecla SBS da central
2	Se o carro nunca foi movimentado à mão, o portão (com o carro enganchado na guia) deve estar na posição de abertura parcial
3	Premir a tecla SBS de um comando memorizado ou a tecla SBS na central ou uma tecla exterior ligada à entrada SBS da central

**SIMULTANEAMENTE OS BOTÕES MENU E RADIO, MANTENDO-OS PREMIDOS ATÉ QUE A INTERMITÊNCIA DOS LEDS L1 E L2 PARE.**

As entradas da borda sensível EDGE deverão ser feitas nos bornes EDGE e EDGE. Para desativar a borda sensível, deslocar para cima o dip switch direito. Após ter acionado o dip switch, os leds L1 e L2 ficam acesos com intermitência rápida.

#### ⚠ ATENÇÃO!

**CONFIRMAR A DESATIVAÇÃO DA ENTRADA EDGE PREMINDO SIMULTANEAMENTE OS BOTÕES MENU E RADIO, MANTENDO-OS PREMIDOS ATÉ QUE A INTERMITÊNCIA DOS LEDS L1 E L2 PARE.**

**Nota:** durante o movimento da porta, a intensidade da luz atenua-se

Caso contrário, continuar como referido a seguir:

	O portão deve abrir-se a baixa velocidade
4	<p><b>⚠ ATENÇÃO!</b></p> <p><b>Se o portão fecha-se, premir de novo a tecla para interromper o movimento e premir mais uma vez para inverter a direção. O procedimento é levado a cabo apenas se a primeira manobra for uma abertura e se terminar com o carro que encosta no batente mecânico posicionado anteriormente</b></p>
5	O portão chega à posição de abertura completa quando o carro alcança o batente mecânico, para durante um segundo e volta a fechar-se até completar a manobra
6	As quotas são memorizadas
7	Fazer PELO MENOS uma segunda manobra completa de abertura e uma segunda manobra completa de fecho a partir do ponto de fim de curso sem interrupções para permitir que a central memorize os esforços do motor ao longo do curso
8	Se o automatismo não completar a manobra, verificar se não há impedimentos mecânicos ao longo do curso, o balanceamento do portão e, eventualmente, modificar o parâmetro de sensibilidade relativamente ao obstáculo, diminuindo-o
9	<p>Para levar a zero as quotas de abertura e fecho:</p> <p>premir e manter premida a tecla MENU até que o LED L1 se acenda e em seguida se apague.          Libertar a tecla MENU. O led L1 emite intermitências longas.          Premir de novo a tecla MENU quando for emitida:</p> <p>a 5ª intermitência para motor HALO 780          a 6ª intermitência para motor HALO 1200</p> <p>Se o procedimento for levado a cabo, o led L1 emitirá uma intermitência longa, caso contrário emitirá intermitências rápidas</p> <p>Repetir o procedimento a partir do ponto 4 referido</p>

#### 4.13 - Modificação de um parâmetro da central

Se houver um módulo wireless KUBE PRO, ligá-lo à central (FIG. 49, 50) e seguir as instruções do ecrã. Caso contrário, continuar como referido a seguir:  
 Se houver um módulo por cabo DYL, ligá-lo à central e seguir as

FASE	DESCRIÇÃO
1	Premir a tecla MENU um número de vezes igual ao parâmetro a modificar (Quadro 3 - P. 51)
2	O led L1 emite intermitências rápidas seguidas de uma pausa, correspondentes ao parâmetro que se deseja modificar
3	Premir e manter premido MENU durante mais de 3 segundos
4	O led L1 permanece apagado
5	Libertar a tecla MENU
6	O led L1 começará a emitir intermitências longas, o número de intermitências corresponde ao valor máximo configurável pelo parâmetro. No final da última intermitência, o procedimento termina sem nenhuma modificação do parâmetro
7	Premir rapidamente a tecla MENU quando for emitida a intermitência correspondente ao valor do parâmetro desejado
8	Se o procedimento for levado a cabo, o led L1 emitirá uma intermitência longa, caso contrário emitirá intermitências rápidas

#### 4.14 - Reset aos parâmetros da centrale

FASE	DESCRIÇÃO
1	Premir e manter premida a tecla MENU até que o led L1 se acenda e em seguida se apague
2	Libertar a tecla MENU
3	O led L1 começará a emitir intermitências longas
4	Premir de novo a tecla MENU quando for emitida a 3ª intermitência
5	Se o procedimento for levado a cabo, o led L1 emitirá uma intermitência longa, caso contrário emitirá intermitências rápidas

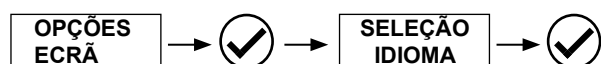
#### 4.15 - Furo para mecanismo contra intrusão

Fechar o portão (comandado pelo motor), marcar a posição do carro, no lado oposto ao da porta, com um lápis. Desbloquear o carro, com um berbequim fazer um furo de 10 mm no centro da guia junto do sinal (FIG. 51).

Verificar o bom funcionamento do mecanismo fechando o portão manualmente, rearmando o carro e tentando abrir o portão manualmente.

#### 4.16 - Utilização do programador com ecrã

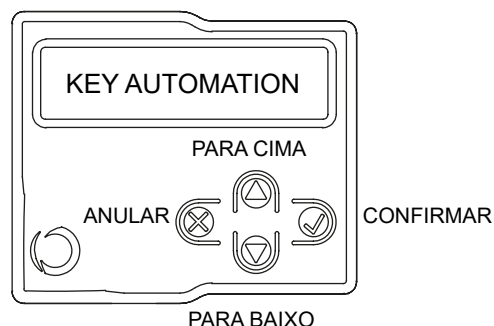
Para personalizar o idioma do programador, seguir as instruções abaixo.



**N.B.:** Ao ligar pela primeira vez o ecrã, será pedido para escolher o idioma. Premir ▲ o ▼ para seleccionar o idioma desejado e em seguida confirmar com a tecla V.

Se não for seleccionado nenhum idioma (com a tecla X), a central utilizará o idioma por default (INGLÊS) até que seja ligado de novo.

No modo normal, ou seja, com o sistema alimentado normalmente e com o programador com ecrã ligado, premir X até aparecer a escrita “Key Automation”. Deste modo, serão apresentadas as seguintes mensagens de estado:



EVENTO	DESCRIÇÃO	INDICAÇÃO INTERMITENTE E LED COMANDOS CENTRAL
abertura	Portão a abrir	
abertura ventilação	Portão a abrir para ventilação	
fecho	Portão a fechar	
fecho automático	Portão aberto com fecho temporizado ativado	
paragem durante o fecho	Portão parado durante o fecho	
paragem durante a abertura	Portão parado durante a abertura	
aberto	Portão completamente aberto sem fecho automático	
aberto em ventilação	Portão aberto em ventilação sem fecho automático	
fechado	Portão completamente fechado	
programação	Durante a fase de programação	2 intermitências rápidas + pausa + 1 intermitência
obstáculo	Detetado obstáculo motor	4 intermitências rápidas + 3 pausas
foto!	Atuação da fotocélula	2 intermitências rápidas + 3 pausas
borda sensível!	Atuação da borda sensível	5 intermitências rápidas + 3 pausas
abertura parcial	Abertura parcial em curso	
fecho automático parcial	Abertura parcial do portão com fecho temporizado ativado	
fecho automático ventilação	Abertura em ventilação do portão com fecho temporizado ativado	
erro FLASH/LED	Sobrecarga saída FLASH e LED	6 intermitências rápidas + 3 pausas
erro prova de sensibilidade	Detetado erro em prova de sensibilidade	3 intermitências rápidas + 3 pausas
erro fim de curso!	Detetado erro fim de curso/batente mecânico	8 intermitências rápidas + 3 pausas
erro memória	Detetado erro memória	10 intermitências rápidas + 3 pausas

#### 4.17 - Ligação módulo wireless KUBE PRO / KUBE

**Antes de fazer qualquer operação, desligar a alimentação do produto.**

Retirar a tampa de plástico de proteção do conector do módulo KUBE. Retirar as coberturas de plástico (FIG. 49) e colocar a placa na respetiva entrada (FIG. 50).

#### ⚠ ATENÇÃO!

Uma vez retirado do recipiente, manusear o módulo KUBE com muito cuidado.

#### ⚠ ATENÇÃO!

Verificar muito bem o posicionamento do módulo KUBE no conector da central (FIG. 50)

Com os programadores KUBE PRO e DYL, além dos parâmetros (TAB. 3), é possível também modificar os seguintes parâmetros:

velocidade de abertura \*  
 velocidade de abrandamento durante a abertura \*  
 velocidade de fecho \*  
 velocidade de abrandamento durante o fecho \*  
 amplidão do abrandamento durante a abertura \*  
 contato PARAR

amplidão do abrandamento durante o fecho \*  
 prova de sensibilidade  
 teste borda sensível  
 amplidão abertura parcial  
 amplidão função ventilação da garagem  
 tempo de fecho automático parcial  
 tempo de fecho automático ventilação  
 modo de funcionamento pirilampo  
 tempo de intermitência prévia  
 intensidade da luz de cortesia no final da manobra  
 funcionamento da luz de cortesia incorporada  
 funcionamento após black out de corrente  
 ativação intermitência para manutenção  
 predefinido  
 bloqueio entradas com senha  
 bloqueio recetor com senha

para a modificação, seguir as indicações do ecrã.

#### ⚠ ATENÇÃO!

\* após a modificação do parâmetro, é obrigatório fazer pelo menos duas manobras completas para permitir que a central memorize os esforços do motor ao longo do curso



## 5 - ENSAIO E COLOCAÇÃO EM SERVIÇO

O ensaio do sistema deve ser feito por um técnico qualificado que deve efetuar os testes previstos pela norma de referência de acordo com os riscos presentes, verificando que sejam

cumpridas as normas, sobretudo a norma EN 12453 que estabelece os métodos de ensaio dos automatismos para portas e portões.

### 5.1 - Ensaio

Todos os componentes do sistema devem ser ensaiados de acordo com as indicações dos respetivos manuais de instruções.

Controlar que sejam respeitadas as indicações do Capítulo 1 – Avisos sobre a segurança.

Controlar se o portão ou a porta possam movimentar-se livremente uma vez desbloqueada a automação e se estão equilibrados e se permanecem parados se deixados em qualquer posição.

Controlar o bom funcionamento de todos os dispositivos ligados (fotocélulas, barras de apalpação, botões de emergência etc.) fazendo os ensaios de abertura, fecho e paragem do portão ou da porta através dos dispositivos de comando ligados (emissores, botões, seletores).

Fazer as medições da força de impacto conforme previsto pela norma EN12453 regulando as funções de velocidade, força do motor e abrandamentos da unidade se as medições não derem os resultados desejados até obter a regulação adequada.

### 5.2 - Colocação em serviço

Após o ensaio com êxito positivo de todos (e não apenas de alguns) os dispositivos do sistema, é possível colocar em serviço.

É necessário realizar e guardar durante 10 anos o processo técnico do sistema que deverá conter o esquema elétrico, o desenho ou foto do sistema, a análise dos riscos e as soluções adotadas, a declaração de conformidade do fabricante de todos os dispositivos ligados, o manual de instruções de cada dispositivo e o plano de manutenção do sistema.

Fixar no portão ou na porta uma placa com os dados da automação, o nome do responsável da colocação em serviço, o número de série e o ano de fabrico, a marca CE.

Fixar uma placa que indique as operações necessárias para desbloquear manualmente o sistema.

Fazer e entregar ao utilizador final a declaração de conformidade, as instruções e avisos de utilização para o utilizador final e o plano de manutenção do sistema.

Certificar-se de que o utilizador tenha compreendido o modo correto de funcionamento automático, manual e de emergência da automação.

Comunicar também de forma escrita ao utilizador final os perigos e riscos ainda presentes.

#### ATENÇÃO !

**Após a deteção de um obstáculo, o portão ou a porta para durante o movimento de abertura e é desativado o fecho automático; para reativar o movimento é necessário premer o botão de comando ou utilizar o emissor.**

## SPIS TREŚCI

<b>1</b>	<b>Uwagi dotyczące bezpieczeństwa</b>	str. 83
<b>2</b>	<b>Informacje wstępne o produkcie</b>	str. 85
2.1	Opis produktu	str. 85
2.2	Budowa	str. 85
2.3	Modele i parametry techniczne	str. 85
2.4	Specyfikacja techniczna	str. 86
2.5	Wykaz niezbędnych przewodów elektrycznych	str. 86
<b>3</b>	<b>Kontrole wstępne</b>	str. 87
<b>4</b>	<b>Montaż produktu</b>	str. 87
4.1	Montaż i instalacja Halo z przewodnicą LED	str. 87
4.2	Montaż przewodnicy 3-częściowej	str. 88
4.3	Montaż przewodnicy 1-częściowej	str. 88
4.4	Połączenie korpusu silnika z przewodnicami stalowymi	str. 88
4.5	Montaż z korpusem silnika na wale sprężyn lub nadprożu	str. 88
4.6	Montaż klasyczny	str. 88
4.7	Ręczne otwieranie bramy garażowej	str. 88
4.8	Mocowanie wyłącznika krańcowego otwierania na przewodnicy LED	str. 88
4.9	Mocowanie wyłącznika krańcowego otwierania na przewodnicy stalowej	str. 88
4.10	Podłączenia elektryczne	str. 88
4.11	Programowanie pilotów	str. 89
4.12	Programowanie współrzędnych otwierania i zamykania	str. 90
4.13	Modyfikacja jednego z parametrów centrali	str. 91
4.14	Reset parametrów centrali	str. 91
4.15	Otwór do mechanizmu antywyważeniowego	str. 91
4.16	Obsługa programatora z wyświetlaczem	str. 92
4.17	Podłączenie modułu bezprzewodowego KUBE PRO / KUBE	str. 92
<b>5</b>	<b>Odbiór techniczny i uruchomienie</b>	str. 93
5.1	Odbiór techniczny	str. 93
5.2	Uruchomienie	str. 93
<b>6</b>	<b>Deklaracja zgodności WE</b>	str. 95

## 1 - UWAGI DOTYCZĄCE BEZPIECZEŃSTWA

### UWAGA!

**INSTRUKCJA ORYGINALNA – ważne zalecenia dotyczące bezpieczeństwa. W celu zapewnienia bezpieczeństwa osób należy stosować się do poniższych zaleceń. Zachować niniejszą instrukcję.**

Przed przystąpieniem do montażu zapoznać się uważnie z treścią instrukcji.

**Procesy projektowania i produkcji urządzeń wchodzących w skład produktu, jak też informacje zawarte w niniejszej instrukcji, spełniają wymogi obowiązujących przepisów bezpieczeństwa. Pomimo tego nieprawidłowa instalacja oraz błędne programowanie mogą spowodować poważne obrażenia osób wykonujących montaż lub eksploatujących instalację. Dlatego też podczas wykonywania instalacji należy rygorystycznie stosować się do wszelkich zaleceń podanych w niniejszej instrukcji.**

Nie kontynuować montażu w przypadku wystąpienia jakichkolwiek wątpliwości. Zwrócić się wcześniej o wyjaśnienia do serwisu technicznego Key Automation.

**W myśl prawodawstwa europejskiego wykonanie bramy garażowej lub ogrodzeniowej z napędem powinno przebiegać zgodnie z wymogami Dyrektywy 2006/42/WE (Dyrektywa Maszynowa), a w szczególności zgodnie z wymogami norm EN 12453; EN 12635 oraz EN 13241-1, które umożliwiają wydanie deklaracji zgodności automatyki.**

Zważając na powyższe, ostateczne podłączenie automatyki do sieci elektrycznej, odbiór instalacji, uruchomienie oraz konserwacja okresowa powinny być wykonywane przez wykwalifikowany i doświadczony personel. Zobowiązany on jest do stosowania się do zaleceń podanych w rozdziale „Odbiór techniczny i uruchomienie automatyki”.

Ponadto wspomniany personel zobowiązany jest do przeprowadzenia odpowiednich testów, w zależności od występujących zagrożeń, oraz do sprawdzenia, czy spełniane są wymogi odpowiednich przepisów, norm i uregulowań. W szczególności dotyczy to spełniania wszystkich wymogów normy EN 12453, która określa metody badań kontrolnych automatyki bram garażowych i ogrodzeniowych.

### UWAGA!

**Przed przystąpieniem do montażu wykonać następujące analizy i kontrole:**

Sprawdzić, czy poszczególne urządzenia automatyki są przydatne do danych celów i dostosowane do wykonywanej instalacji. W tym celu sprawdzić dokładnie dane podane w rozdziale „Parametry techniczne”. Nie przystępować do wykonywania instalacji w przypadku, gdy nawet jeden element nie nadaje się do użycia.

Sprawdzić, czy urządzenia obecne w zestawie są wystarczające do zapewnienia bezpieczeństwa instalacji oraz jej poprawnego działania.

Przeprowadzić analizę zagrożeń, która powinna obejmować również wykaz zasadniczych wymogów bezpieczeństwa, wymienionych w Załączniku I Dyrektywy Maszynowej, wraz ze wskazaniem zastosowanych rozwiązań. Analiza zagrożeń jest jednym z dokumentów wchodzących w zakres dokumentacji technicznej automatyki. Dokument powinien zostać wypełniony przez profesjonalnego instalatora.

**Z uwagi na niebezpieczne sytuacje, które mogą wystąpić podczas montażu oraz używania produktu, produkt należy montować, przestrzegając następujących zaleceń:**

Zabrania się dokonywania modyfikacji jakiegokolwiek części, jeżeli nie zostało to wyraźnie wskazane w niniejszej instrukcji. Niestosowanie się do powyższych zaleceń może stanowić przyczynę nieprawidłowego działania napędu. Producent nie ponosi żadnej odpowiedzialności z tytułu szkód powstałych w wyniku tego rodzaju modyfikacji.

w przypadku stwierdzenia uszkodzenia przewodu elektrycznego, powinien on zostać wymieniony przez producenta, autoryzowany serwis techniczny lub przez osobę posiadającą odpowiednie kwalifikacje, co zapobiegnie powstawaniu zagrożenia; Należy unikać zanurzania elementów układu automatyki w wodzie lub w innego rodzaju cieczach. Podczas montażu zwracać uwagę, aby żadnego rodzaju cieczy nie dostały się do wnętrza urządzeń.

W przypadku, gdyby płynne substancje przedostały się do wnętrza elementów układu automatyki, odłączyć niezwłocznie zasilanie elektryczne i skontaktować się z serwisem technicznym Key Automation. Użytkowanie automatyki w powyższej sytuacji stanowi źródło zagrożenia.

Nie składować żadnego z elementów układu automatyki w pobliżu źródeł ciepła oraz nie wystawiać na działanie otwartych płomieni. Może to spowodować uszkodzenia lub nieprawidłowe działanie, pożar bądź sytuację zagrożenia.

### UWAGA!

**Jednostkę należy odłączyć od źródła zasilania**

**na czas czyszczenia, konserwacji i wymiany komponentów. Jeżeli urządzenie odłączające nie jest widoczne, umieścić tablicę z napisem: „UWAGA TRWAJĄ PRACE KONSERWACYJNE”:**

Wszystkie urządzenia należy podłączać do linii zasilania elektrycznego wyposażonej w uzziemienie zabezpieczające;

Produkt nie stanowi skutecznego systemu zabezpieczającego przed włamaniem. W przypadku konieczności takiego zabezpieczenia, automatykę należy poszerzyć o dodatkowe urządzenia;

Produkt może być używany wyłącznie po podłączeniu automatyki do uzziemienia, zgodnie z instrukcją podana w paragrafie „Odbiór techniczny oraz uruchomienie automatyki”;

W sieci zasilania instalacji zamontować urządzenie odłączające, w którym odległość otwartych styków umożliwił będzie całkowite odłączenie instalacji w warunkach określonych w III kategorii przepięciowej;

Na użytek podłączenia sztywnych lub elastycznych przewodów lub też przewodów przewodów używać złączy posiadających stopień ochrony IP55 lub wyższy;

Instalacja elektryczna znajdująca się przed automatyką powinna spełniać wymogi obowiązujących przepisów oraz powinna zostać wykonana zgodnie z zasadami sztuki;

urządzenie może być obsługiwane przez dzieci w wieku powyżej 8 lat oraz przez osoby z ograniczonymi zdolnościami fizycznymi, sensorycznymi lub umysłowymi lub osoby nieposiadające wystarczającego doświadczenia albo wiedzy, jeśli osoby te pozostają pod nadzorem lub zostały pouczone w zakresie bezpiecznej obsługi urządzenia i są świadome związanych z tym zagrożeń;

przed uruchomieniem automatyki upewnić się, że w pobliżu nie znajdują się żadne osoby;

przed przystąpieniem do czynności czyszczenia i konserwacji automatyki, odłączyć ją od sieci elektrycznej;

należy zachować szczególną uwagę, aby uniknąć zgniecenia pomiędzy elementem ruchomym a otaczającymi go elementami stałymi;

dzieci powinny pozostawać pod opieką dorosłych, co wykluczy możliwość niewłaściwej obsługi urządzenia;

nie stosować napędu w bramach z otworami o średnicy większej niż 50 mm i bramach mających krawędzie lub wystające części, które można chwycić dłonią lub stanąć na nich;

urządzenie nie może być wykorzystywane do obsługi bramy automatycznej, w którą wbudowane

jest przejście dla pieszych;

w przypadku wykrycia przedmiotu w trakcie zamykania brama zmienia swój bieg, uwalniając przedmiot i otwierając się całkowicie;

element uruchamiający zwalnianie ręczne zamontować na wysokości mniejszej niż 1,8 m. Jeśli element uruchamiający jest zdejmowany, przechowywać go w pobliżu bramy;

stały element sterujący zamontować na wysokości co najmniej 1,5 m, w prostej linii wolnej od przeszkód do bramy i dala od ruchomych części;

etykiety ostrzegające przed uwięzieniem przymocować na stałe w widocznym miejscu lub w pobliżu umieszczonych na stałe elementów sterujących (Fig. 1 Str. 54);

po zamontowaniu upewnić się, że mechanizm jest dobrze wyregulowany, napęd działa wstecz a umieszczony na podłodze przedmiot o wysokości 50 mm można uwolnić po zakleszczeniu w wyniku zetknięcia z bramą (w przypadku napędów wyposażonych w system ochrony przed zakleszczeniem – w zależności od zetknięcia z dolną krawędzią bramy);

po zamontowaniu upewnić się, że elementy bramy po wysunięciu nie zajmują ogólnodostępnego chodnika lub drogi.

jeżeli urządzenie jest wyposażone w oddzielny przycisk zatrzymywania, powinien on być oznaczony w sposób jednoznacznie wskazujący jego działanie.

#### UWAGA!

**Sprawdzać okresowo konstrukcję pod kątem utraty wyważenia, oznak zużycia mechanicznego, uszkodzenia przewodów, sprężyn lub części podporowych.**

**Nie używać, jeżeli jest to konieczne naprawy lub regulacji.**

#### UWAGA!

**Elementy opakowania (karton, plastik itp.), należycie oddzielone, należy umieścić w odpowiednich pojemnikach. Elementy urządzenia, takie jak płytki elektroniczne, części metalowe, baterie itp. muszą być odseparowane i zróżnicowane. W przypadku metod utylizacji należy stosować przepisy obowiązujące w miejscu instalacji. NIE WYRZUCAĆ DO ŚRODOWISKA!**



**KEY AUTOMATION zastrzega sobie prawo do modyfikowania niniejszej instrukcji w razie takiej potrzeby. Wersja aktualna, i/lub nowsze wersje instrukcji znajdują się na stronie internetowej [www.keyautomation.com](http://www.keyautomation.com)**

## 2 - INFORMACJE OGÓLNE DOTYCZĄCE PRODUKTU

### 2.1 - Opis produktu

Halo jest elektromechanicznym motoreduktorem nienawrotnym, przeznaczonym do napędzania bram uchylnych do 17 m<sup>2</sup> i bram segmentowych do 19 m<sup>2</sup>. Halo wyposażony jest w enkoder z wbudowaną centralą sterującą i odbiornikiem 4-kanalowym. Prowadnica pasowa jest wstępnie zmontowana i dostarczana w 1 lub w 3 elementach.

Specjalna, malowana proszkowo prowadnica aluminiowa z wbudowanymi diodami LED zapewnia oświetlenie garażu, zarówno podczas ruchu bramy, jak i w każdej innej sytuacji.

Specjalny spłaszczony kształt korpusu silnika umożliwia jego montaż w mniej inwazyjnym położeniu, w pobliżu nadproża bramy garażowej lub wału sprężyn.

### 2.2 - Budowa

System automatyki do bram garażowych umieszczony jest w dwóch kartonach, w których znajdują się opakowania z systemem automatyki i prowadnicą:

RYS. 1 Zawartość opakowania głowicy z wykazem komponentów  
RYS. 2 Prowadnica z diodami LED  
RYS. 3 Prowadnica stalowa 1-częściowa  
RYS. 4 Prowadnica stalowa 3-częściowa

### 2.3 - Modele i parametry techniczne

KOD	OPIS	MOC
900HA8	Do bram segmentowych do 11 m <sup>2</sup> (z prowadnicą 3 m) lub 12 m <sup>2</sup> (z prowadnicą 4 m), silnik 24 Vdc, centra PROWADNICAMI Ia z wbudowanym odbiornikiem i zasilaniem 230 Vac	800N
900HA12	Do bram segmentowych do 16 m <sup>2</sup> (z prowadnicą 3 m) lub 19 m <sup>2</sup> (z prowadnicą 4 m), silnik 24 Vdc, centrala z wbudowanym odbiornikiem i zasilaniem 230 Vac	1200N
900HA12E	Do bram segmentowych do 16 m <sup>2</sup> (z prowadnicą 3 m) lub 19 m <sup>2</sup> (z prowadnicą 4 m), „Low Energy” z silnikiem 24 Vdc i centralą z wbudowanym odbiornikiem i zasilaniem 230 Vac	1200N
900HA12L	Do bram segmentowych do 16 m <sup>2</sup> (z prowadnicą 3 m) lub 19 m <sup>2</sup> (z prowadnicą 4 m), silnik 24 Vdc, centrala z wbudowanym odbiornikiem i zasilaniem 120 Vac	1200N

#### ZGODNOŚĆ GŁOWA/PROWADNICAMI

	HA8	HA12 - HA12E - HA12L
900RAB31	X	X
900RAB3X1P	X	X
900RAB41	X	X
900RAB2X2P	X	X
900RAB61		X
900RAL31		X
900RAL41		X

PARAMETRY TECHNICZNE	900HA8	900HA12	900HA12E	900HA12L
Prędkość	15 cm/s	15 cm/s	15 cm/s	15 cm/s
Siła	800 N	1200 N	1200 N	1200 N
Cykle/godz. maksymalnie <sup>(1)</sup>	20	20	20	20
Cykle kolejne maks <sup>(1)</sup>	10	10	10	10
Moc nominalna	80w	100w	100w	100w
Moc w trybie czuwania	5,5 W	5,5 W	<0,5 W	5,5 W
Zasilanie	230vac (±10%) 50hz	230vac (±10%) 50hz	230vac (±10%) 50hz	120vac (±10%) 50/60hz
Lampa ostrzegawcza	3 W Max	3 W Max	3 W Max	3 W Max
Światła odprowadzające na prowadnicy z wbudowanymi diodami LED	-	40 W Max	40 W Max	40 W Max
Wyjście zasilania urządzeń dodatkowych		100mA (24 Vdc nieregulowane)		
Bezpieczniki 1 linii zasilania	1AT	1AT	1AT	2AT
Maks. liczba dających się wprowadzić do pamięci nadajników z KODEM ZMIENNYM	90	90	90	90
Stopień ochrony	IP 20	IP 20	IP 20	IP 20
Wykorzystanie w szczególnie kwaśnej, zasolonej lub wybuchowej atmosferze	No	No	No	No
Wymiary (D-S-W)	235-330-84 mm	235-330-84 mm	235-330-84 mm	235-330-84 mm
Masa	6,25 Kg	6,8 Kg	6,8 Kg	6,8 Kg
Temperatura pracy	-10°C/+45°C	-10°C/+45°C	-10°C/+45°C	-10°C/+45°C
Maksymalne wymiary bramy	12 m <sup>2</sup>	19 m <sup>2</sup>	19 m <sup>2</sup>	19 m <sup>2</sup>
Maksymalna masa bramy	120 Kg	200 Kg	200 Kg	200 Kg

<sup>(1)</sup> dla bramy garażowej do 2 m wysokości

## LIMITY ZASTOSOWANIA

Segmentowa	Uchylna wystająca
<b>900HA8 z prowadnicą 3 m</b>	
S max=11m <sup>2</sup> H max = 2,6m	S max=10m <sup>2</sup> H max = 3m
<b>900HA8 z prowadnicą 4 m</b>	
S max=12m <sup>2</sup> H max = 3,6m	S max=11m <sup>2</sup> H max = 3,4m

## LIMITY ZASTOSOWANIA

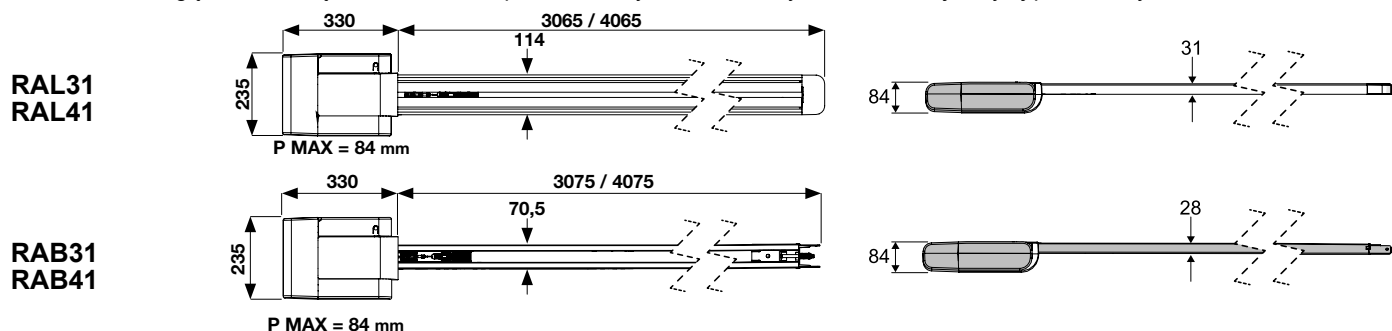
Segmentowa	Uchylna wystająca
<b>900HA12, 900HA12E, 900HA12L z prowadnicą 3 m</b>	
S max=16m <sup>2</sup> H max = 2,6m	S max=16m <sup>2</sup> H max = 3m
<b>900HA12, 900HA12E, 900HA12L z prowadnicą 4 m</b>	
S max=19m <sup>2</sup> H max = 3,6m	S max=17m <sup>2</sup> H max = 3,4m

## 2.4 - Specyfikacja techniczna

## Model i zalecane zastosowanie – Prowadnica i dostępne wymiary

MODEL	MATERIAŁ	UWAGI	RODZAJ NAPĘDU	DŁUGOŚĆ CAŁKOWITA	SUW PROWADNICY
900RAL31	Aluminium	Z oświetleniem w postaci wbudowanych diod LED	Pas	3090 mm (1x3m)	2660 mm
900RAL41	Aluminium	Z oświetleniem w postaci wbudowanych diod LED	Pas	4090 mm (1x4m)	3660 mm
900RAB3X1P	Stal		Pas	3100 mm (3x1.03m)	2670 mm
900RAB31	Stal		Pas	3100 mm (1x3.1m)	2670 mm
900RAB41	Stal		Pas	4100 mm (1x4.1m)	3670 mm
900RAB2X2P	Stal		Pas	4100 mm (2x2.05m)	3670 mm

Podane dane mogą zmieniać się w zależności od przesuwu i wyważenia bramy oraz od rodzaju użytej prowadnicy.



## 2.5 - Wykaz niezbędnych przewodów elektrycznych

W przypadku typowej instalacji rodzaje przewodów elektrycznych, niezbędnych do podłączenia różnych urządzeń, podane zostały w tabeli zawierającej wykaz przewodów. Wykorzystywane przewody elektryczne powinny być dostosowane do rodzaju instalacji.

Np.: w instalacjach wewnętrznych zaleca się użycie przewodów typu H03VV-F, a w przypadku instalacji zewnętrznych – przewodów typu H07RN-F.

TABELA Z WYKAZEM PRZEWODÓW

PODŁĄCZENIE	RODZAJ KABLA	DŁUGOŚĆ MAKSYMALNA DOZWOLONA
Linia zasilania elektrycznego	Schuko EWG 7/4	
Lampa ostrzegawcza, światła odprowadzające	1 x przewód 3 x 0,5 mm <sup>2</sup>	20 m
Antena	1 x przewód elektryczny typu RG58	20 m (zalecany < 5 m)
Fotokomórki nadajnika	1 x przewód 2 x 0,5 mm <sup>2</sup>	20 m
Fotokomórki odbiornika	1 x przewód 4 x 0,5 mm <sup>2</sup>	20 m
Listwa krawędziowa radiowa (*)	1 x przewód 4 x 0,5 mm <sup>2</sup>	< 2 m
Przełącznik kluczykowy	1 x przewód 2 x 0,5 mm <sup>2</sup>	20 m

Jeżeli w pobliżu urządzenia nie znajduje się odpowiednie gniazdo, w celu jego zainstalowania zwrócić się do wykwalifikowanego personelu.

(\*): stosować się do instrukcji producenta

## 3 - KONTROLE WSTĘPNE

Przed zainstalowaniem produktu wykonać następujące kontrole i zalecenia:

- Sprawdzić, czy w bramie garażowej można zamontować automatykę
- Masa oraz wymiary bramy garażowej powinny zawierać się w zakresach podanych dla montowanej automatyki
- Sprawdzić, czy na bramie garażowej zostały zamontowane mechaniczne hamulce bezpieczeństwa oraz czy posiadają odpowiednią wytrzymałość
- Sprawdzić, czy strefa mocowania produktu nie jest narażona na zalewanie
- Zbyt duża kwasowość lub zasolenie atmosfery jak też bliskość źródeł ciepła mogą powodować nieprawidłowe działanie produktu
- W przypadku występowania ekstremalnych warunków klimatycznych (np.: śnieg, lód, duże skoki temperatury, wysoka temperatura) może zwiększać się wartość tarcia. Tym samym może być potrzebna większa siła wymagana do pokonania oporu początkowego oraz

do poruszania bramy, o wartości przekraczającej wartości przyjęte dla warunków normalnych

- Sprawdzić, czy ręczne przesuwanie bramy garażowej odbywa się w sposób płynny, czy nie występują punkty o zwiększonym tarcia i czy nie występuje ryzyko wypadnięcia bramy z prowadnic
- Sprawdzić, czy brama garażowa jest odpowiednio wyważona, a tym samym, czy nie przesuwana jest po pozostawieniu w dowolnym położeniu
- Sprawdzić, czy linia elektryczna, do której będzie podłączany produkt, wyposażona została w odpowiednie uziemienie zabezpieczające oraz czy jest chroniona przez wyłącznik magnetotermiczny i różnicowy
- W sieci zasilania instalacji zamontować urządzenie odłączające, w którym odległość otwartych styków umożliwiająca będzie całkowite odłączenie instalacji w warunkach określonych w III kategorii przepięciowej
- Sprawdzić, czy wszystkie materiały użyte do montażu spełniają wymogi obowiązujących przepisów

## 4 - MONTAŻ PRODUKTU

### 4.1 - Montaż i instalacja Halo z prowadnicą LED

Przed rozpoczęciem montażu sprawdzić, czy zapewniony został wszelki niezbędny sprzęt (RYS. 5).

Umieścić prowadnicę na płaskiej powierzchni, chroniąc ją przed ewentualnym zarysowaniem. Usunąć zaślepkę z tworzywa sztucznego i wysunąć zawartość.

Przesunąć koło pasowe przekładniowe w sposób umożliwiający większe wysunięcie śrub na końcach prowadnicy. Odkręcić nakrętkę i wsunąć sprężynę napinającą. Dokręcać nakrętkę do momentu napięcia pasa (RYS. 6, 7). Zbliżyć głowicę do prowadnicy i umieścić na równym podłożu, chroniąc pokrywę dolną przed ewentualnym zarysowaniem. Zdemontować pokrywę tylną, naciskając w dwóch wskazanych punktach (RYS. 8).

Zdemontować białą pokrywę (RYS. 9), odciąć za pomocą noża dwa prostokąty na białej pokrywie i usunąć (RYS. 10).

Otworzyć wskazaną klapę, odcinając tworzywo sztuczne nożem i delikatnie podnosząc (RYS. 11). Wsunąć kartę do regulacji diod LED (znajdującą się w opakowaniu prowadnicy) z umocowanymi przewodami elektrycznymi (RYS. 2, 12). Zamknąć ostrożnie pokrywę. Umieścić przewody elektryczne w odpowiednich szczelinach, wsuwając przewód bez złącza we wskazany otwór (RYS. 12).

Wsunąć metalowy adapter do otworu na prowadnicy, posługując się gumowym młotkiem (RYS. 13). Nasunąć prowadnicę na głowicę, zwracając uwagę, aby część żłobkowana adaptera pokryła się z częścią żłobkowaną sworzni silnika (RYS. 14). Podłączyć złącze (RYS. 15).

#### UWAGA!

**Przed umieszczeniem i dokręceniem płyty górnej sprawdzić, czy przewody elektryczne znajdują się wewnątrz przygotowanych gniazd (RYS. 16), aby zapobiec ich zgnieceniu. Dokręcić 4 wkrety z gniazdem krzyżowym.**

Otworzyć klapę boczną, wysunąć przewód elektryczny i podłączyć przewody do centrali (RYS. 17). Zamknąć klapę.

Oprzeć silnik na wale sprężyn (RYS. 18). Podnieść prowadnicę i ustawić równoległe do podłoża. Zmierzyć wymiar A (odległość prowadnicy od sufitu). Uciąć gwintowany pręt na wymiar **A - 5 cm** (RYS. 19). Gwintowany pręt i części do montażu dołączone są do prowadnicy z diodami LED.

Zmontować część gwintowanego pręta (RYS. 20). Umocować gwintowany pręt do sufitu, używając odpowiednich śrub lub kołków (nieodłączonych do zestawu) (RYS. 21). Zmontować i wsunąć dolną część uchwytu do prowadnicy, przesuwając go w szczelinach (RYS. 22). Zamontować w prowadnicy zaślepkę z tworzywa sztucznego.

Połączyć gwintowany pręt z nakrętką sześciokątną górną na prowadnicy. Pręt obracać, aż nakrętka znajdzie się w odległości ok

1 cm od końca, co zapewni poziome położenie prowadnicy. Nakrętki dokręcić we wskazanej kolejności (RYS. 23).

Wsunąć śruby długie i dokręcić ręcznie, aby umożliwić umieszczenie nakrętek wewnątrz gniazda (RYS. 24). Śruby powinny być wysunięte na kilka milimetrów, aby można było umieścić uchwyt na przewidzianym w tym celu otworze podłużnym. Użyć otworu podłużnego do ustawienia uchwytu na nadprożu. Zaznaczyć położenie otworów (RYS. 25).

Przesunąć silnik w bok. Umocować uchwyt za pomocą odpowiednich śrub i kołków (nieodłączonych do zestawu) (RYS. 26).

Umieścić silnik na uchwycie.

#### UWAGA!

**Dokręcić długie śruby boczne tylko do momentu zapewnienia chwytu (RYS. 38). Nie dokręcać z użyciem siły, aby nie uszkodzić gniazd nakrętek.**

Dokręcić przeciwnakrętki (RYS. 27) i dokładnie dociągnąć, trzymając śruby unieruchomione kluczem sześciokątnym.

#### UWAGA!

**Nie obracać śrub, aby nie uszkodzić gniazd nakrętek. W celu dokręcenia obracać wyłącznie przeciwnakrętki.**

Umocować szczęki dolne (RYS. 28).

Umocować uchwyt do górnej części bramy garażowej, w położeniu centralnym (RYS. 29) i dokładnie w centrum uchwytu w kształcie C (RYS. 26). Dokonać wskazanych pomiarów (TAB. 1A) i przygotować ramię łączące ze wskazanymi częściami (TAB. 2).

Odblokować wózek za pomocą linki odblokowującej (RYS. 30).

Pociągnąć mostek wózka. Wsunąć do środka łukowe ramię i odpowiedni sworzni (RYS. 31, 32, 33, 34). Dokręcić 2 śruby z łbem stożkowym, mocujące mostek. Dokręcić również 2 śruby z łbem stożkowym, w symetrycznym położeniu na drugim końcu wózka.

Połączyć ramię z bramą garażową (RYS. 35). Uzbroić wózek, przesuwając linkę odblokowującą, aby umożliwić powrót dźwigni. Zablockować. Przesunąć bramę garażową ręcznie, aż do zamocowania (RYS. 36).

Usunąć przezroczystą folię samoprzylepną, osłaniającą profile diod LED i prowadnicy (RYS. 37).

Po zakończeniu programowania (kolejne paragrafy) umocować śrubę zabezpieczającą (RYS. 52) i nasunąć białą pokrywę (RYS. 53).

#### 4.2 - Montaż prowadnicy 3-częściowej

Zmontować prowadnicę (RYS. 4). Pociągnąć pas (RYS. 7)

#### 4.3 - Montaż prowadnicy 1-częściowej

Pociągnąć pas (RYS. 7)

#### 4.4 - Połączenie korpusu silnika z prowadnicami stalowymi

Stosować się do wskazówek w punkcie 4.1 (RYS. 13, 14, 16)

#### 4.5 - Montaż z korpusem silnika na nadprożu



**UWAGA!**

W odniesieniu do nieopisanych czynności, patrz par. 4.1.

Stosować się do wskazówek w punkcie 4.1 od RYS. 25, mocując jednakże uchwyt nie na otworze podłużnym, ale pojedynczym (RYS. 38). Stosować się do wskazań w TAB. 1B i TAB. 2. Kontynuować, stosując się do wskazówek w punkcie 4.1.

#### 4.6 - Montaż klasyczny



**UWAGA!**

W odniesieniu do nieopisanych czynności, patrz par. 4.1.



**UWAGA!**

**NIE DEMONTOWAĆ POKRYWY TYLNEJ!**

Umocować uchwyt do nadproża (RYS. 26). Połączyć ze stalową prowadnicą, używając jednej z dołączonych śrub długich (RYS. 39). Stosować się do wskazań w TAB. 1C i TAB. 2.

Podnieść prowadnicę i ustawić równolegle do podłoża. Zmierzyć wymiar A. Przyciąć dwa uchwyty przy suficie w następujący sposób: wymiar **A + 3 cm** (RYS. 40). Wsunąć płytkę z szybkozłączką i umocować do uchwytów na suficie (RYS. 41, 42). Umocować uchwyty do sufitu, używając odpowiednich śrub i kołków (nieodłączone do zestawu).

Stosować się do wskazówek w punkcie 4.1 od RYS. 29 do RYS. 35. Wsunąć ramię do otworu podłużnego wózka, otwartego wcześniej za pomocą noża (RYS. 43).

#### 4.7 - Ręczne otwieranie bramy garażowej

W przypadku braku zasilania elektrycznego, jeżeli nie został zamontowany akumulator podtrzymujący w opcji, aby odblokować automatykę:

##### FAZA OPIS

1	Pociągnąć linkę, ustawiając dźwignię odblokowania w położeniu pionowym (RYS. 30)
2	Podnieść lub obniżyć bramę garażową ręcznie
3	W celu ponownego uzbrojenia automatyki, przesunąć linkę w taki sposób, aby umożliwić całkowite wsunięcie dźwigni odblokowania do wnętrza wózka ciągnącego (FIG. 36)
4	Podnieść lub obniżyć bramę garażową ręcznie, aż do zaczepienia na prowadnicy

#### 4.8 - Mocowanie wyłącznika krańcowego otwierania na prowadnicy LED

Odblokować wózek. Podnieść ręcznie bramę garażową, aż do ustalenia jej w położeniu wskazanego możliwego otwarcia maksymalnego **H - 10 cm** (RYS. 44).

Zaznaczyć ołówkiem położenie końca wózka (RYS. 45). Wykonać otwór wiertarką. Umocować śrubą (RYS. 46).

#### 4.9 - Mocowanie wyłącznika krańcowego otwierania na prowadnicy stalowej

Odblokować wózek. Podnieść ręcznie bramę garażową, aż do ustalenia jej w położeniu wskazanego możliwego otwarcia maksymalnego **H - 10 cm** (RYS. 44).

Umocować stabilnie wyłącznik krańcowy (RYS. 47).

#### 4.10 - Podłączenia elektryczne



**UWAGA!**

**Przed przystąpieniem do wykonywania podłączeń sprawdzić, czy do centrali nie jest doprowadzone zasilanie**  
Stosować się do podłączeń (RYS. 48)

##### PODŁĄCZENIA ELEKTRYCZNE

COM	Wspólny wyjścia FLASH, LED
FLASH	Wyjście lampy ostrzegawczej 24 VDC (nieregulowane), maksymalnie 3 W
LED	Wyjście światła odprowadzającego 24 VDC (nieregulowane), maksymalnie 20 W
PH-POW	Wyjście plusowe fotokomórek, 24 VDC (nieregulowane) maksymalnie 100 mA.
NEG	Wyjście minusowe zasilania fotokomórek
PH	Fotokomórki (zamykanie) styk NC pomiędzy PH a COM
EDGE/EDGE	Wejście listwy krawędziowej, styk NC, opornik 8k2 lub opornik podwójny 8k2 (równoległy)



SBS	Polecenie KROK PO KROKU styk NA pomiędzy SBS a COM. Polecenie Otwieranie/Stop/Zamykanie/Stop lub w oparciu o wybrane oprogramowanie
STOP	STOP styk NC pomiędzy STOP a COM. Styk może zostać dezaktywowany w dowolnym momencie, blokując natychmiastowo automatykę oraz dezaktywując wszystkie funkcje objęte automatycznym zamykaniem
COM	Wspólny wejścia SBS, STOP
L1	CZERWONA kontrolka sygnalizacyjna do programowania parametrów centrali
MENU	Przycisk do programowania parametrów centrali
RADIO	Przycisk do programowania parametrów wbudowanego nadajnika radiowego
L2	ZIELONA kontrolka sygnalizacyjna do programowania parametrów radia
KUBE/DYL	Złącze do DYL i KUBE
SBS	Przycisk SBS (KROK PO KROKU) do przesuwania automatyki
DIP1/PH DIP2/EDGE	Przełącznik do dezaktywowania zabezpieczeń (PH, EDGE) patrz RYS. 48
SHIELD	Antena - oplot -
ANT	Antena - sygnał -

Styk lampy ostrzegawczej należy podłączyć na zaciskach COM i FLASH.

Styk światła odprowadzającego należy podłączyć na zaciskach COM i LED.

Styk krok po kroku SBS należy podłączyć na zaciskach COM i SBS (styk normalnie otwarty NO).

Styk fotokomórki należy podłączyć na zaciskach COM i PH. **Aby wyłączyć fotokomórkę, przesunąć do góry przełącznik lewy. Po uruchomieniu przełącznika, diody L1 i L2 zaczynają szybko migać.**

### ! UWAGA!

**POTWIERDZIĆ DEZAKTYWACJĘ WEJŚCIA PH, WCISKAJĄC**

**JEDNOCZEŚNIE PRZYCISKI MENU I RADIO. PRZYTRZYMAĆ DO MOMENTU, AŻ DIODY LED L1 I L2 PRZESTANĄ MIGAĆ.**

Wejścia listwy krawędziowej EDGE należy wykonać na zaciskach EDGE i EDGE. **Aby wyłączyć listwę krawędziową, przesunąć do góry przełącznik prawy. Po uruchomieniu przełącznika, diody L1 i L2 zaczynają szybko migać.**

### ! UWAGA!

**POTWIERDZIĆ DEZAKTYWACJĘ WEJŚCIA EDGE, WCISKAJĄC JEDNOCZEŚNIE PRZYCISKI MENU I RADIO. PRZYTRZYMAĆ DO MOMENTU, AŻ DIODY LED L1 I L2 PRZESTANĄ MIGAĆ.**

## 4.11 - Programowanie pilotów

W przypadku posiadania modułu bezprzewodowego KUBE PRO, podłączyć go do centrali (RYS. 49, 50). Zastosować się do instrukcji wideo.

W przypadku posiadania modułu przewodowego DYL, podłączyć go

do centrali. Zastosować się do instrukcji wideo.

W przeciwnym przypadku zastosować się do poniższych wskazówek:

### WPROWADZANIE PILOTA DO PAMIĘCI






### ! UWAGA!

**Po aktywowaniu funkcji wprowadzania do pamięci, może zostać zapisany każdy nadajnik znajdujący się w polu odbioru.**




**Aby zmniejszyć zasięg odbiornika, odłączyć tymczasowo antenę.**

FAZA	OPIS	PRZYKŁAD
1	Wcisnąć i zwolnić przycisk RADIO taką liczbę razy, która równa jest numerowi funkcji wybranej do aktywacji: 1 raz dla funkcji SBS (KROK PO KROKU lub OTWIERANIE - STOP - ZAMYKANIE - STOP), 2 razy dla funkcji CZĘŚCIOWE OTWARCIE, 3 razy dla funkcji TYLKO OTWIERANIE, 4 razy dla funkcji OŚWIETLENIE ON/OFF, 5 razy dla funkcji USTAWIONE W TRYBIE (przycisk 1 = SBS, przycisk 2 = CZĘŚCIOWE OTWARCIE, przycisk 3 = TYLKO OTWIERANIE, przycisk 4 = OŚWIETLENIE ON/OFF) 6 razy dla funkcji PRZYCISK NA ŚCIANIE (przycisk 1 = ZAMYKANIE/STOP, przycisk 2 = OTWIERANIE/STOP, przycisk 3 = WENTYLACJA, przycisk 4 = OŚWIETLENIE ON/OFF)	
2	Diody LED L2 migną liczbę razy odpowiadającą wybranemu wyjściu, przerywanych pauzą trwającą 1 sekundę	
3	W ciągu 10 sekund należy wcisnąć i przytrzymać przez co najmniej 2 sekundy przycisk pilota, który chcemy wprowadzić do pamięci	
4	Jeżeli wprowadzanie do pamięci zakończyło się powodzeniem, dioda LED L2 wykona jedno długie mignięcie	
5	W celu wprowadzenia do pamięci innego pilota na tym samym wyjściu, powtórzyć czynności z punktu 3	
Uw.	Po 10 sekundach braku aktywności odbiornik kończy automatycznie fazę programowania	

**KASOWANIE PILOTA**

FAZA	OPIS	PRZYKŁAD
1	Wcisnąć i przytrzymać przycisk RADIO do momentu zaświecenia się diody LED L2 (ok. 3 sekundy)	
2	W ciągu 10 sekund wcisnąć przycisk pilota, który ma zostać skasowany, i przytrzymać aż do momentu zgaśnięcia diody LED L2 na odbiorniku. Zwolnić przycisk pilota	
3	Po upływie ok. 1 sekundy od zwolnienia przycisku, dioda LED L2 na odbiorniku zaczyna migać	
4	Potwierdzić skasowanie, wciskając przycisk RADIO	
5	Jeżeli kasowanie zakończyło się powodzeniem, dioda LED L2 wykona jedno długie mignięcie	
Uw.	Po 10 sekundach braku aktywności odbiornik kończy automatycznie fazę kasowania	

**KASOWANIE CAŁEJ PAMIĘCI ODBIORNIKA/RESET ODBIORNIKA**





FAZA	OPIS	PRZYKŁAD
1	Wcisnąć i przytrzymać przycisk RADIO do momentu zaświecenia się diody LED L2 (ok. 3 sekundy) a potem jej zgaśnięcia (ok. 3 sekundy). Zwolnić przycisk	
2	Po upływie ok. 1 sekundy od zwolnienia przycisku, dioda LED L2 na odbiorniku zaczyna migać	
3	Aby skasować całą pamięć, w trakcie trzeciego mignięcia nacisnąć przycisk RADIO	
4	Jeżeli kasowanie/reset zakończyły się powodzeniem, dioda LED L2 wykona jedno długie mignięcie	

**ZDALNE WPROWADZANIE DO PAMIĘCI PILOTA PRZY POMOCY PILOTA WCZEŚNIEJ WPROWADZONEGO**

Istnieje możliwość wprowadzenia pilota do pamięci bez dostępu do odbiornika. W tym celu należy dysponować pilotem, który został już wprowadzony do pamięci, oraz wykonać poniższą

procedurę.

Procedura zdalnego kopiowania powinna zostać wykonana w strefie obsługiwanej przez odbiornik.

FAZA	OPIS	PRZYKŁAD
1	Nacisnąć i przytrzymać przez co najmniej 5 sekund przycisk nowego pilota, który ma zostać wprowadzony do pamięci	
2	Nacisnąć i przytrzymać przez co najmniej 3 sekundy przycisk pilota, który ma zostać skopiowany (jeżeli wcześniejsza 1. faza zakończona zostanie powodzeniem, automatyka nie zostanie uruchomiona)	
3	Nacisnąć i przytrzymać przez co najmniej 3 sekundy przycisk nowego pilota, który ma zostać wprowadzony do pamięci	
4	Wcisnąć i przytrzymać przez co najmniej 3 sekundy przycisk pilota, który ma zostać skopiowany, w celu zatwierdzenia wyjścia z fazy programowania	
Uw.	Po 10 sekundach braku aktywności odbiornik kończy automatycznie fazę programowania	

**4.12 - Programowanie współrzędnych otwierania i zamykania**

W przypadku posiadania modułu bezprzewodowego KUBE PRO, podłączyć go do centrali (RYS. 49, 50). Zastosować się do instrukcji wideo.

W przypadku posiadania modułu przewodowego DYŁ, podłączyć go do centrali. Zastosować się do instrukcji wideo.

**UWAGA!**

Jeżeli wcześniej został włączony moduł KUBE PRO, KUBE lub programator DYŁ, odłączyć od urządzenia zasilanie na kilka sekund, aby móc przeprowadzić procedurę ręcznie.

Styk fotokomórki należy podłączyć na zaciskach COM i PH. Aby wyłączyć fotokomórkę, przesunąć do góry przełącznik lewy. Po uruchomieniu przełącznika, diody L1 i L2 zaczynają szybko migać.

**UWAGA!**

**POTWIERDZIĆ DEZAKTYWACJĘ WEJŚCIA PH, WCISKAJĄC**

FAZA	OPIS
1	Jeżeli nie jesteśmy w posiadaniu pilota wprowadzonego do pamięci, wykonać programowanie pilota lub posłużyć się przyciskiem SBS centrali
2	Jeżeli wózek bramy garażowej nie został nigdy przesunięty ręcznie, wózek umocowany do prowadnicy powinien znajdować się w położeniu otwarcia częściowego
3	Nacisnąć przycisk SBS pilota wprowadzonego do pamięci lub przycisk SBS na centrali albo przycisk zewnętrzny, połączony na wejściu SBS centrali

**JEDNOCZEŚNIE PRZYCISKI MENU I RADIO. PRZYTRZYMAĆ DO MOMENTU, AŻ DIODY LED L1 I L2 PRZESTANĄ MIGAĆ.**


Wejścia listwy krawędziowej EDGE należy wykonać na zaciskach EDGE i EDGE. Aby wyłączyć listwę krawędziową, przesunąć do góry przełącznik prawy. Po uruchomieniu przełącznika, diody L1 i L2 zaczynają szybko migać.

**UWAGA!**

**POTWIERDZIĆ DEZAKTYWACJĘ WEJŚCIA EDGE, WCISKAJĄC JEDNOCZEŚNIE PRZYCISKI MENU I RADIO. PRZYTRZYMAĆ DO MOMENTU, AŻ DIODY LED L1 I L2 PRZESTANĄ MIGAĆ.**

**Uwaga:** w trakcie ruchu bramy intensywność światła jest obniżona

W przeciwnym przypadku zastosować się do poniższych wskazówek:

	Brama garażowa powinna wykonać cykl otwierania ze zmniejszoną prędkością.
4	 <b>UWAGA!</b> <b>Podczas fazy zamykania bramy garażowej, nacisnąć ponownie przycisk, aby ją zatrzymać. Nacisnąć przycisk ponownie, aby odwrócić kierunek ruchu. Procedura zakończona zostanie powodzeniem tylko jeżeli pierwszym manewrem jest otwieranie i zakończy się ono uderzeniem wózka we wcześniej ustawiony hamulec mechaniczny</b>
5	Brama garażowa przemieszcza się w położenie pełnego otwarcia tylko do momentu osiągnięcia przez wózek hamulca mechanicznego, zatrzymuje się na jedną sekundę i wznowia ruch w kierunku zamykania, aż do jego ukończenia
6	Współrzędne zostają wprowadzone do pamięci
7	Wykonać CO NAJMNIJ jeden kolejny kompletny manewr otwierania i jeden kolejny manewr zamykania od punktu wyłącznika krańcowego bez przerywania, aby umożliwić centrali wprowadzenie do pamięci sił działania silnika wzdłuż przebiegu
8	Jeżeli automatyka nie ukończy manewru, sprawdzić, czy wzdłuż przebiegu nie występują przeszkody mechaniczne oraz zweryfikować wyważenie bramy garażowej. Ewentualnie zmodyfikować parametr czułości na przeszkodę, zmniejszając tę wartość Aby zresetować współrzędne otwierania i zamykania:  wcisnąć i przytrzymać przycisk MENU do momentu zaświecenia się diody LED L1 a potem jej zgaśnięcia. Zwolnić przycisk MENU. Dioda LED L1 wykona długie mignięcia. Nacisnąć ponownie przycisk MENU w momencie:
9	5. mignięcia dla silnika HALO 800 6. mignięcia dla silnika HALO 1200  Jeżeli procedura zakończyła się powodzeniem, dioda LED L1 wykona jedno długie mignięcie. W przeciwnym przypadku będzie szybko migać  Powtórzyć procedurę, począwszy od powyższego punktu 4.

#### 4.13 - Modyfikacja parametru centrali

W przypadku posiadania modułu bezprzewodowego KUBE PRO, podłączyć go do centrali (RYS. 49, 50). Zastosować się do instrukcji wideo.

W przypadku posiadania modułu przewodowego DYŁ, podłączyć go

do centrali. Zastosować się do instrukcji wideo.

W przeciwnym przypadku zastosować się do poniższych wskazówek:

FAZA	OPIS
1	Nacisnąć przycisk MENU taką liczbę razy, jaka odpowiada parametrowi do zmiany (TAB. 3 - P. 51)
2	Dioda LED L1 powtórzy sekwencję szybkich mignięć i pauzy taką liczbę razy, jaka odpowiada parametrowi do zmiany
3	Przytrzymać wciśnięty przycisk MENU przez co najmniej 3 sekundy
4	Kontrola LED L1 pozostanie wyłączona
5	Zwolnić przycisk MENU
6	Dioda LED L1 rozpocznie wykonywanie mignięć długich taką liczbę razy, jaka odpowiada maksymalnej wartości do ustawienia dla parametru. Po zakończeniu ostatniego mignięcia procedura zostanie zakończona bez jakiegokolwiek zmiany parametru
7	Nacisnąć przycisk MENU w trakcie mignięcia odpowiadającego żądanej wartości parametru
8	Jeżeli procedura zakończyła się powodzeniem, dioda LED L1 wykona jedno długie mignięcie. W przeciwnym przypadku będzie szybko migać

#### 4.14 - Reset parametrów centrali

FAZA	OPIS
1	Wcisnąć i przytrzymać przycisk MENU do momentu zaświecenia się diody LED L1 a potem jej zgaśnięcia
2	Zwolnić przycisk MENU
3	Dioda LED L1 zacznie wykonywać długie mignięcia
4	Nacisnąć ponownie przycisk MENU w trakcie trwania 3. mignięcia
5	Jeżeli procedura zakończyła się powodzeniem, dioda LED L1 wykona jedno długie mignięcie. W przeciwnym przypadku będzie szybko migać

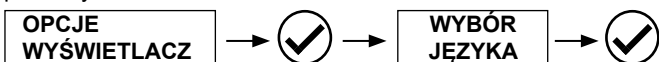
#### 4.15 - Otwór do mechanizmu antywyważeniowego

Ustawić bramę (z napędem silnikowym) w położeniu zamknięcia. Zaznaczyć ołówkiem położenie wózka od strony przeciwnej do strony, po której zamontowana jest brama.  
Odblokować wózek. Wykonać wiertarką otwór o średnicy 10 mm

pośrodku prowadnicy, w zaznaczonym wcześniej miejscu (RYS. 51). Sprawdzić poprawność działania mechanizmu, zamykając bramę ręcznie, uzbrajając wózek i podejmując próbę ręcznego otwarcia bramy.

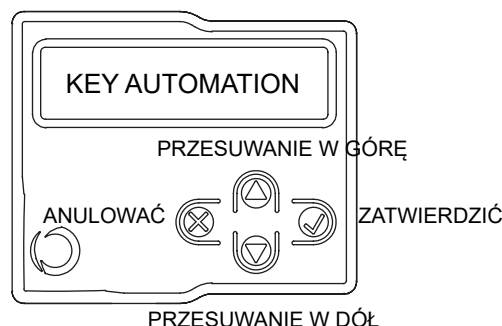
#### 4.16 - Obsługa programatora z wyświetlaczem

Aby indywidualnie ustawić język programatora, postępować według poniższych wskazówek:



**UWAGA:** Po pierwszym włączeniu wyświetlacza zostanie wyświetlone żądanie wybrania języka. Wcisnąć ▲ o ▼ w celu wybrania żadanego języka, a następnie zatwierdzić przy użyciu V. Jeżeli nie zostanie wybrany żaden język (wcisnięcie przycisku X), centrala do kolejnego włączenia zastosuje język domyślny (ANGIELSKI).

W trybie normalnym, to znaczy po doprowadzeniu zasilania do układu i przy podłączonym programatorze z wyświetlaczem, wciskać X do momentu, aż pojawi się napis „Key Automation”. W ten sposób można będzie zobaczyć następujące komunikaty stanu:



ZDARZENIE	OPIS	WSKAZANIA LAMPY OSTRZEGAWCZEJ ORAZ DIODY STEROWANIA CENTRALI
otwieranie	Brama garażowa w trakcie otwierania	
otwieranie na użytek przewietrzania	Brama garażowa w trakcie otwierania na użytek przewietrzania	
zamykanie	Brama garażowa w trakcie zamykania	
zamykanie automatyczne	Brama garażowa otwarta z aktywnym ponownym zamykaniem czasowym	
stop w trakcie zamykania	Brama garażowa zatrzymana w trakcie zamykania	
stop w trakcie otwierania	Brama garażowa zatrzymana w trakcie otwierania	
otwarta	Brama garażowa całkowicie otwarta bez ponownego automatycznego zamykania	
otwarta na użytek przewietrzania	Brama garażowa otwarta na użytek przewietrzania bez ponownego automatycznego zamykania	
zamknięta	Brama garażowa całkowicie zamknięta	
programowanie	Podczas fazy programowania	2 szybkie mignięcia + pauza + 1 mignięcie
przeszkoda	Wykryto przeszkodę silnika	trzykrotne powtórzenie sekwencji 4 szybkie mignięcia + pauza
fotokomórka!	Zadziałanie fotokomórki	trzykrotne powtórzenie sekwencji 2 szybkie mignięcia + pauza
listwa krawędziowa!	Zadziałanie listwy krawędziowej	trzykrotne powtórzenie sekwencji 5 szybkich mignięć + pauz
częściowe otwieranie	Trwające częściowe otwieranie	
automatyczne zamykania częściowe	Brama garażowa w trakcie otwierania częściowo z aktywnym ponownym zamykaniem czasowym	
automatyczne zamykanie z położenia przewietrzania	Brama garażowa w trakcie otwierania w położeniu wentylacji z aktywnym ponownym zamykaniem czasowym	
błąd FLASH/LED	Przeciążenie wyjścia FLASH i LED	trzykrotne powtórzenie sekwencji 6 szybkich mignięć + pauza
błąd testu fotokomórek	Wykrycie błędu testu fotokomórek	trzykrotne powtórzenie sekwencji 3 szybkich mignięć + pauza
błąd wyłącznika krańcowego!	Wykryto błąd wyłącznika krańcowego/wyłącznika mechanicznego	trzykrotne powtórzenie sekwencji 8 szybkich mignięć + pauza
błąd pamięci	Wykrycie błędu pamięci	trzykrotne powtórzenie sekwencji 10 szybkich mignięć + pauza

#### 4.17 - Podłączenie modułu bezprzewodowego KUBE PRO / KUBE

**Przed wykonaniem jakiegokolwiek czynności odłączyć zasilanie od urządzenia.**

Zdemontować pokrywę zabezpieczającą z tworzywa sztucznego złącza modułu KUBE. Zdemontować obudowy z tworzywa sztucznego (RYS. 49). Wsunąć kartę do odpowiedniego wejścia (RYS. 50).

#### ! UWAGA!

Po wyjęciu modułu KUBE z opakowania, należy postępować z nim z zachowaniem najwyższej ostrożności.

#### ! UWAGA!

Sprawdzić dokładnie położenie modułu KUBE na złączu centrali (RYS. 50).

Z wykorzystaniem programatorów KUBE PRO i DYL, oprócz (TAB. 3) parametrów, można dodatkowo modyfikować następujące parametry:

prędkość podczas otwierania\*  
prędkość zwalniania podczas otwierania\*  
prędkość zamykania\*  
prędkość zwalniania podczas zamykania\*  
ZATRZYMAJ kontakt

zakres zwalniania podczas otwierania\*  
zakres zwalniania podczas zamykania\*  
test fotokomórek  
test listwy krawędziowej  
zakres otwierania częściowego  
zakres funkcji przewietrzania garażu  
czas automatycznego zamykania częściowego  
czas automatycznego zamykania w trybie wentylacji  
tryb działania lampy ostrzegawczej  
czas przed rozpoczęciem migania  
intensywność led po zakończeniu ruchu  
działanie wbudowanych świateł odprowadzających  
działanie po braku prądu (black out)  
włączanie lampy ostrzegawczej na użytek konserwacji  
ustawienia domyślne  
blokada wejść za pomocą hasła  
blokada odbiornika za pomocą hasła

w celu modyfikacji stosować się do zaleceń video.

#### ! UWAGA!

\* Po zmodyfikowaniu parametru należy obowiązkowo wykonać co najmniej dwa pełne cykle pracy, aby umożliwić centrali wprowadzenie do pamięci sił działania silnika wzdłuż przebiegu

## 5 - ODBIÓR TECHNICZNY ORAZ ODDANIE DO UŻYTKOWANIA

Odbiór techniczny instalacji powinien zostać wykonany przez wykwalifikowanego technika, który zobowiązany jest do przeprowadzenia testów, określonych przez odpowiednie przepisy w zależności od występujących zagrożeń, oraz do sprawdzenia,

czy spełniane są wymogi właściwych przepisów. W szczególności dotyczy to normy EN 12453, która określa metody badań kontrolnych automatyki bram garażowych i ogrodzeniowych.

### 5.1 - Odbiór techniczny

Wszystkie elementy powinny zostać poddane odbiorowi zgodnie z procedurami określonymi w odpowiednich instrukcjach obsługi.

Sprawdzić, czy przestrzegane są zalecenia podane w Rozdziale 1 – Uwagi dotyczące bezpieczeństwa.

Sprawdzić, czy brama ogrodzeniowa lub garażowa mogą swobodnie się przesuwac po odblokowaniu automatyki oraz czy są odpowiednio wyważone, a tym samym czy nie przesuwają się po pozostawieniu w dowolnym położeniu.

Sprawdzić poprawność działania wszystkich podłączonych urządzeń (fotokomórki, listwy bezpieczeństwa, przyciski zatrzymania awaryjnego i inne), poprzez wykonanie cyklu otwierania, zamykania i zatrzymania bramy ogrodzeniowej lub garażowej, używając do tego celu podłączonych urządzeń sterowania (nadajniki, przyciski, przełączniki).

Dokonać pomiarów siły uderzenia, zgodnie z zaleceniami zawartymi w normie EN12453. W przypadku niezadowolających wyników dokonać regulacji prędkości, siły silnika oraz punktów zwalniających centrali, aż do uzyskania optymalnych rezultatów.

### 5.2 - Uruchomienie

Po zakończeniu odbioru technicznego z wynikiem pozytywnym wszystkich (a nie tylko niektórych) urządzeń instalacji, można przystąpić do uruchomienia.

Należy sporządzić i przechowywać przez 10 lat dokumentację techniczną instalacji. Powinna ona zawierać schemat elektryczny, rysunek lub zdjęcie instalacji, analizę zagrożeń wraz z zastosowanymi rozwiązaniami, deklaracje zgodności wydane przez producentów wszystkich podłączonych urządzeń, instrukcje obsługi każdego z urządzeń oraz harmonogram konserwacji instalacji.

Umieścić na bramie tabliczkę zawierającą dane dotyczące automatyki, nazwisko osoby odpowiedzialnej za uruchomienie), numer seryjny, rok produkcji oraz oznakowanie WE.

Umocować tabliczkę zawierającą opis operacji niezbędnych do ręcznego odblokowania bramy.

Przygotować i przekazać użytkownikowi automatyki deklarację zgodności, instrukcję obsługi oraz zalecenia dotyczące użytkowania, jak też harmonogram konserwacji instalacji.

Upewnić się, że użytkownik poprawnie zrozumiał zasadę prawidłowego działania automatyki w trybie automatycznym, ręcznym i awaryjnym.

Poinformować użytkownika końcowego, również w formie pisemnej, o pozostałych zagrożeniach i ryzykach.

#### UWAGA!

**Po wykryciu przeszkody brama ogrodzeniowa lub garażowa zatrzymuje się w położeniu otwartym a jej automatyczne zamykanie jest dezaktywowane. W celu przywrócenia ruchu wcisnąć przycisk polecenia lub posłużyć się nadajnikiem.**

## UWAGI



## DICHIARAZIONE DI INCORPORAZIONE DI QUASI-MACCHINA

### DECLARATION OF INCORPORATION OF PARTLY COMPLETED MACHINERY

Il sottoscritto Nicola Michelin, Amministratore Delegato dell'azienda  
*The undersigned Nicola Michelin, General Manager of the company*

Key Automation srl, Via Meucci 23 - 30027 San Dona' di Piave (VE) – ITALIA

dichiara che il prodotto tipo:  
*declares that the product type:*

#### HALO

Motore per portoni sezionali o basculanti con ricevente radio 433,92MHz integrata  
*Motor for sectional and overhead doors with 433,92MHz built-in radio receiver*

Modello:  
*Model:*

HA8, HA12

E' conforme a quanto previsto dalle seguenti direttive comunitarie:  
*Is in conformity with the following community (EC) regulations:*

Direttiva macchine / *Machinery Directive 2006/42/EC*  
Direttiva compatibilità elettromagnetica / *EMC Directive 2014/30/EU*  
Direttiva bassa tensione / *LVD Directive 2014/35/EU*  
Direttiva radiofrequenza / *RED Directive 2014/53/EU*  
Direttiva RoHS / *RoHS Directive 2011/65/EU*

Secondo quanto previsto dalle seguenti norme armonizzate:  
*In accordance with the following harmonized standards regulations:*

EN 55014-1:2017, EN 55014-2:2015  
EN 61000-3-2:2014, EN 61000-3-3:2013+A1:2018,  
EN 301489-1 V2.2.0, EN 301489-3 V2.1.1, EN 301489-17 V3.2.0  
EN 61000-6-3:2007 + A1:2011, EN 61000-6-2:2017  
EN 60335-1:2012 + A11:2014 + A1:2015 + A2(IEC):2016 + A12:2017 + A13:2017, EN 60335-2-95:2015 + A1:2015  
EN 62233:2008  
EN 13849-1:2015, EN 13849-2:2012

Dichiara che la documentazione tecnica pertinente al prodotto è stata redatta conformemente a quanto previsto dalla direttiva 2006/42/CE Allegato VII parte B e verrà fornita a fronte di una richiesta adeguatamente motivata dalle autorità nazionali.  
*Declares that the technical documentation is compiled in accordance with the directive 2006/42/EC Annex VII part B and will be transmitted in response to a reasoned request by the national authorities.*

Dichiara altresì che non è consentita la messa in servizio del prodotto finché la macchina, in cui il prodotto è incorporato, non sia stata dichiarata conforme alla direttiva 2006/42/CE.  
*He also declares that is not allowed to use the above-mentioned product until the machine, in which this product is incorporated, has been identified and declared in conformity with the regulation 2006/42/EC.*

San Donà di Piave (VE), 28/10/2020

Amministratore Delegato  
*General Manager*  
Nicola Michelin



Key Automation S.r.l.  
Via Meucci 23  
30027 San Dona' di Piave (VE)  
P.IVA 03627650264 C.F. 03627650264  
[info@keyautomation.it](mailto:info@keyautomation.it)

Capitale sociale 154.000,00 i.v.  
Reg. Imprese di Venezia 03627650264  
REA VE 326953  
[www.keyautomation.it](http://www.keyautomation.it)



**Key Automation S.r.l.**

Via Meucci 23 - 30027 San Donà di Piave (VE)

T. +39 0421 307456 - [info@keyautomation.it](mailto:info@keyautomation.it)

[www.keyautomation.com](http://www.keyautomation.com)

***Designed and engineered in Italy, manufactured in Extra-EU***

Instruction version

580HALO REV.09