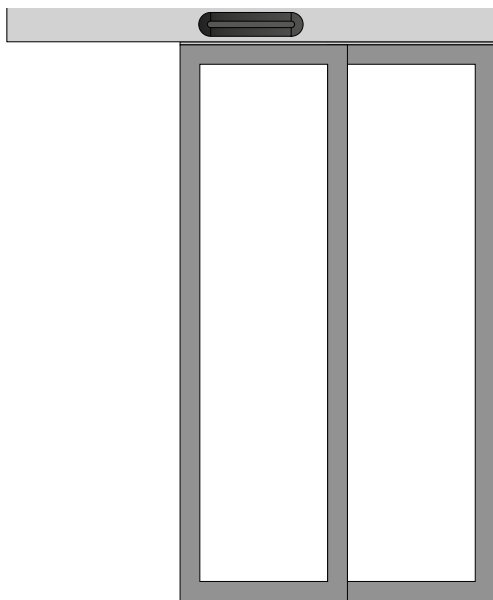
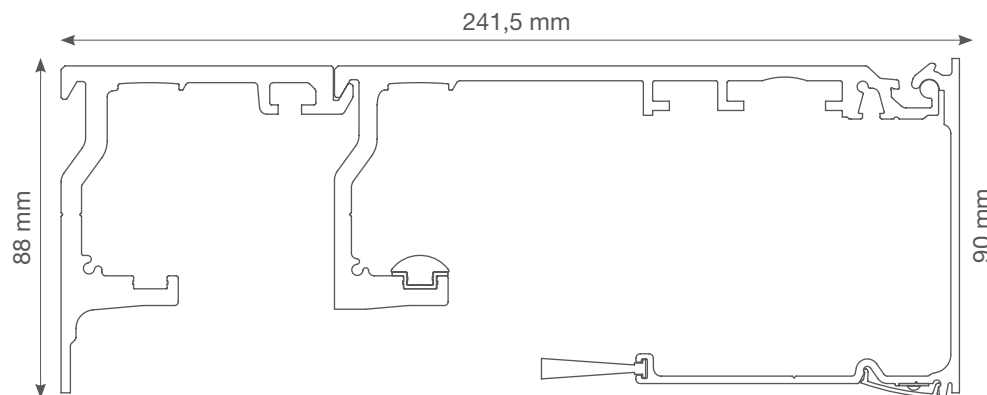


LEVANTE TELESCOPIC 1+1 LEAF

PRE-ASSEMBLED AUTOMATION FOR SLIDING TELESCOPIC DOOR WITH 1+1 LEAF UP TO 100+100 Kg, WITH BUILT-IN LED LIGHTING



PROFILE



PREASSEMBLED COMPONENTS

DESCRIPTION

1-Leaf movement group kit



Extension kit for 1+1 telescopic leaf



Profile for telescopic beam, profile for principal beam, profile for anodised cover, profile for rail, rubber anti-vibration profile



Belt



Brush h. 25mm



LED profile with electronics



MEASURES AVAILABLE

CODE	NOMINAL OPENING CLEARANCE	LENGTH OF AUTOMATION SYSTEM AND LED LIGHTS (Side caps excluded)	AUTOMATION LENGTH (Side caps included)
LEV1631LT	1000 mm	1625 mm	1630 mm
LEV1931LT	1200 mm	1925 mm	1930 mm
LEV2231LT	1400 mm	2225 mm	2230 mm
LEV2531LT	1600 mm	2525 mm	2530 mm
LEV2831LT	1800 mm	2825 mm	2830 mm
LEV3131LT	2000 mm	3125 mm	3130 mm
LEV3281LT	2100 mm	3275 mm	3280 mm
LEV4501LT	2900 mm	4500 mm	4505 mm