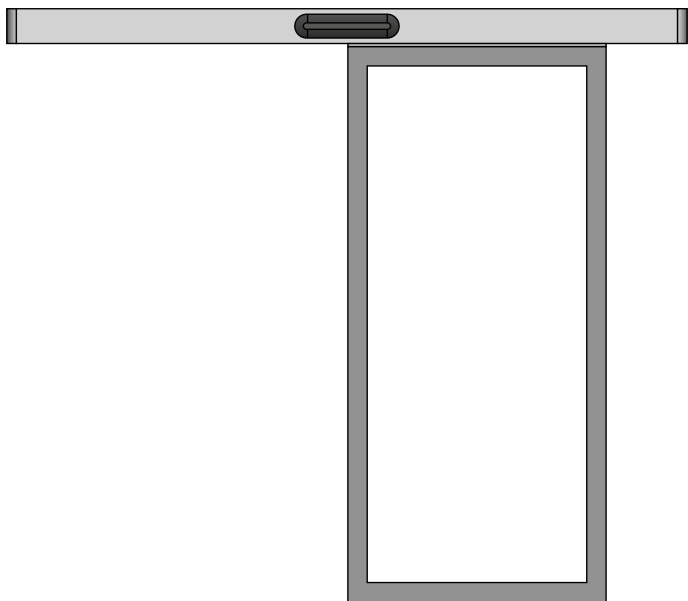
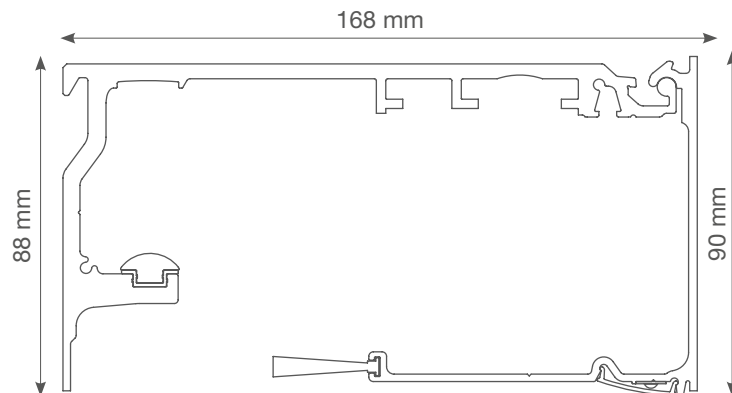


LEVANTE 1 LEAF

ASSEMBLED AUTOMATION, FOR SLIDING DOORS WITH 1 LEAF UP TO 160 Kg, WITH BUILT-IN LED LIGHTING



PROFILE



PREASSEMBLED COMPONENTS

DESCRIPTION

1-Leaf movement group kit



Main beam profile, anodized cover profile, rail profile, anti-vibration rubber profile



Belt



Brush h. 25mm



LED profile with electronics



MEASURES AVAILABLE

CODE	NOMINAL OPENING CLEARANCE	LENGTH OF AUTOMATION SYSTEM AND LED LIGHTS (Side caps excluded)	AUTOMATION LENGTH (Side caps included)
LEV1901L	900 mm	1900 mm	1950 mm
LEV2101L	1000 mm	2100 mm	2150 mm
LEV2501L	1200 mm	2500 mm	2550 mm
LEV2901L	1400 mm	2900 mm	2950 mm
LEV3301L	1600 mm	3300 mm	3350 mm
LEV3701L	1800 mm	3700 mm	3750 mm
LEV4101L	2000 mm	4100 mm	4150 mm
LEV4301L	2100 mm	4300 mm	4350 mm
LEV6801L	3350 mm	6800 mm*	6850 mm

* Only for LEV6801L: AUTOMATION SYSTEM LENGTH = 6800 mm, LED LENGTH = 4500 mm