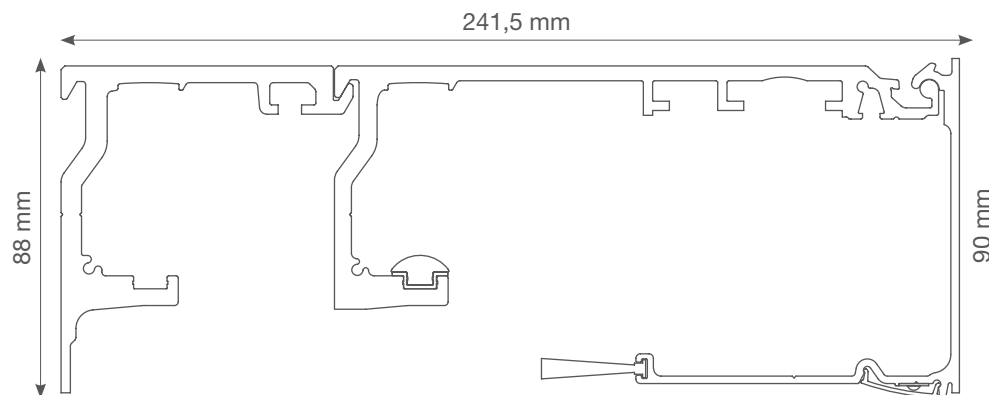


LEVANTE TELESCOPIC 2+2 LEAVES

PRE-ASSEMBLED AUTOMATION FOR SLIDING TELESCOPIC DOOR WITH 2+2 LEAVES UP TO 70+70 + 70+70 kg, WITH BUILT-IN LED LIGHTING



PROFILE



PREASSEMBLED COMPONENTS

DESCRIPTION

2-Leaves movement group kit



Extension kit for 2+2 telescopic leaves



Profile for telescopic beam, profile for principal beam, profile for anodised cover, profile for rail, rubber anti-vibration profile



Belt



Brush h. 25mm



LED profile with electronics



MEASURES AVAILABLE

CODE	NOMINAL OPENING CLEARANCE	LENGTH OF AUTOMATION SYSTEM AND LED LIGHTS (Side caps excluded)	AUTOMATION LENGTH (Side caps included)
LEV2802LT	1800 mm	2800 mm	2805 mm
LEV3102LT	2000 mm	3100 mm	3105 mm
LEV3252LT	2100 mm	3250 mm	3255 mm
LEV7002LT	4600 mm	7000 mm*	7005 mm

* Only for LEV7002LT: AUTOMATION SYSTEM LENGTH= 7000 mm, LED LENGTH= 4500 mm