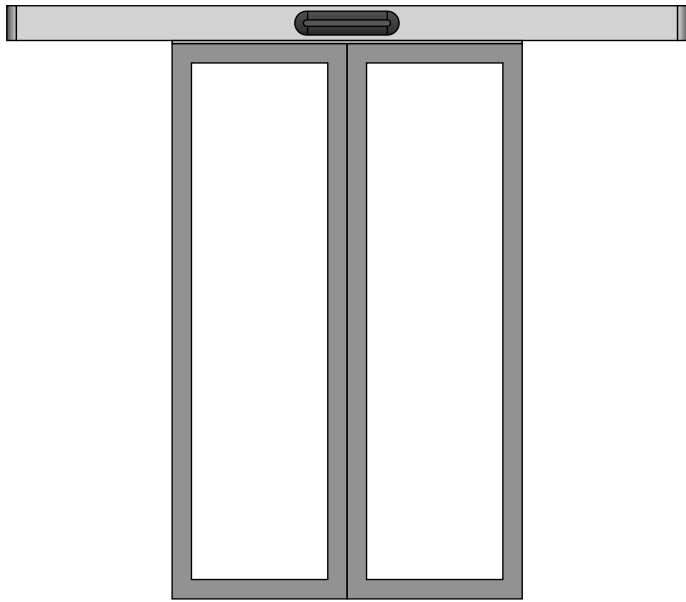
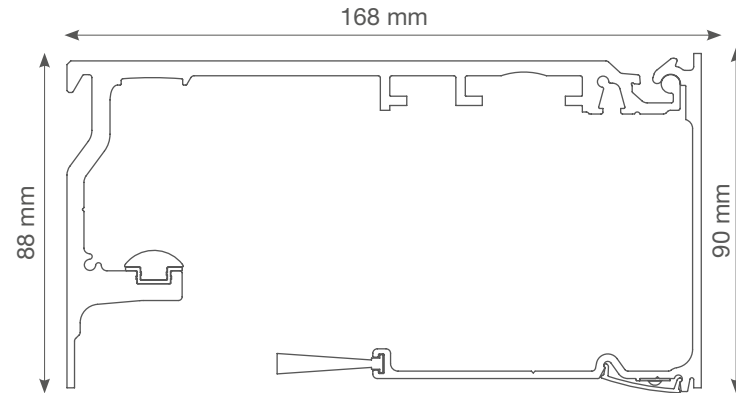


LEVANTE 2 LEAVES

ASSEMBLED AUTOMATION, FOR SLIDING DOORS WITH 2 LEAVES UP TO 120 + 120 Kg, WITH BUILT-IN LED LIGHTING



PROFILE



PREASSEMBLED COMPONENTS

DESCRIPTION

2-Leaves movement group kit



Main beam profile, anodized cover profile, rail profile, anti-vibration rubber profile



Belt



Brush h. 25mm



LED profile with electronics



MEASURES AVAILABLE

CODE	NOMINAL OPENING CLEARANCE	LENGTH OF AUTOMATION SYSTEM AND LED LIGHTS (Side caps excluded)	AUTOMATION LENGTH (Side caps included)
LEV1902L	900 mm	1900 mm	1950 mm
LEV2102L	1000 mm	2100 mm	2150 mm
LEV2502L	1200 mm	2500 mm	2550 mm
LEV2902L	1400 mm	2900 mm	2950 mm
LEV3302L	1600 mm	3300 mm	3350 mm
LEV3702L	1800 mm	3700 mm	3750 mm
LEV4102L	2000 mm	4100 mm	4150 mm
LEV4302L	2100 mm	4300 mm	4350 mm
LEV6802L	3350 mm	6800 mm*	6850 mm

* Only for LEV6802L: AUTOMATION SYSTEM LENGTH = 6800 mm, LED LENGTH = 4500 mm