

RÉVO+

ELECTROMECHANICAL GEAR MOTOR WITH ARTICULATED ARM FOR SWING GATES WITH LEAVES UP TO 2,3 m, 24 Vdc



PLUS

Even more compact size. Installation height just 5 cm from ground level

Articulated arm gear motor. Designed for swing gates made of aluminum, PVC or wood leaves

Simplified adjustment of the on-board mechanical stops

The unlocking system is simple and intuitive, also possible using the transmitter Sub

Optional unlock from the outside

The articulated arm allows the installation of RÉVO





in all those difficult situations where there is a significant depth between the leaf and the column, or with very narrow columns (10x10 cm)

Available in two versions, with articulated arm or sliding arm for reduced openings

Ideal for narrow columns or pillars with reduced dimensions. Compact shape and silent movement, made of strong die-cast aluminum and UV resistant covers

Back-up battery (optional) on board

MODELS

CODE	DESCRIPTION	PCS PALLET
 REP2224	For swing gates with maximum length 2,3 m or weight 250 kg per leaf, 24 Vdc motor	24 
 REP2224S	For swing gates with maximum length 2,3 m or weight 250 kg per leaf, 24 Vdc motor. Without control unit	24 



Installation up to 5 cm from the ground



Easy cable passage



Compact dimensions (width 12 cm)



Simplified limit switch adjustment

TECHNICAL DATA

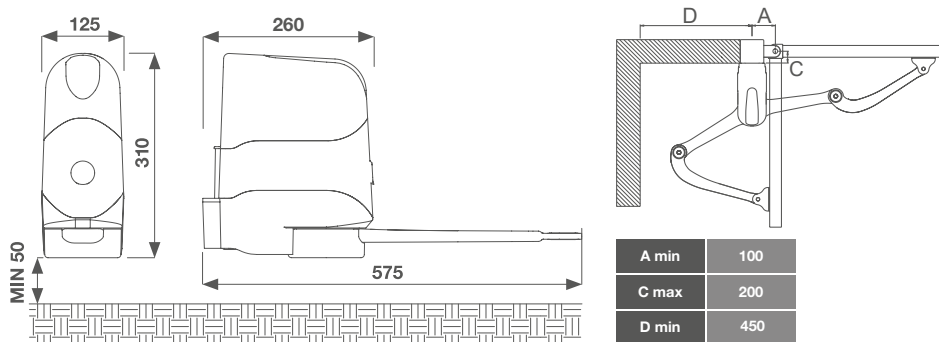
		REP2224	REP2224S
MECHANICAL DATA			
torque	Nm	120	120
working cycle	%	80	80
opening time at 90°	sec	14-20	14-20
ELECTRICAL DATA			
control board		CT20224	-
power	Vac	230	-
	Vdc	-	24
consumption	A	0,65	2
absorbed power	W	115	50
GENERIC DATA			
protection degree	IP	44	44
dimensions (L - D - H)	mm	125 - 260 - 310	125 - 260 - 310
weight	kg cad	10	7,5
working temperature	°C	-20 + 55	-20 + 55
leaves maximum weight	Kg	250	250

LIMIT USE



Gate shape and height and weather conditions can considerably reduce the values shown above, in the graph.

DIMENSIONS



ACCESSORIES



ELC-C
Horizontal 12 V
electrolock

PC 1



KBPN
NiMH battery back-up kit

PC 1



KC
Unlock key cylinder

PC 1



REV1
Slide arm

PC 1



REV2
Arm for reduced
openings

PC 1



REV3
External release unlock kit

PC 1



BMET
Metal box with release system

PC 1



EGS101
Key selector with
all-metal body

PC 1



TS
Warning board

PC 1

* it is not recommended to use a connection longer than 4 m to avoid sensible loss of reach