



TURBO

ELECTROMECHANICAL GEAR MOTOR FOR SLIDING GATES UP TO 700 Kg, 24 Vdc AND UP TO 800 Kg, 230 Vac



MODELS

CODE	DESCRIPTION	PCS PALLET
 SC4224	For sliding gates up to 400 Kg, 24 Vdc motor, control unit with slowdown and electric limit switch, with built-in radio receiver	36
 TU7224	For sliding gates up to 700 Kg, 24 Vdc motor, control unit with slowdown and electric limit switch, with built-in radio receiver	36
SC52	For sliding gates up to 500 Kg, 230 Vac motor, control unit with slowdown and electric limit switch	36
SC82	For sliding gates up to 800 Kg, 230 Vac motor, control unit with slowdown and electric limit switch	36

PLUS

With slowdown function both in opening and closing to preserve gate integrity

Easy maintenance thanks to the horizontal control unit position

With fixing plate included

With 24 Vdc CT10224 control unit with integrated display

With 230 Vac CT102B control unit with integrated display

Electronic and mechanical parts well protected from weather conditions



LCD display



Sturdy and performing motors

TECHNICAL DATA

		SC4224	TU7224	SC52	SC82
MECHANICAL DATA					
speed	cm/s	24	23	16	16
torque	Nm	18	34	16	23
working cycle	%	50	80	30	30
ELECTRICAL DATA					
control board		CT10224	CT10224	CT102B	CT102B
power	Vac	230	230	230	230
consumption	A	1,2	2,5	1,3	1,9
absorbed power	W	250	500	300	450
capacitor	μF	-	-	12,5	16
thermoprotection	°C	-	-	150	150
GENERIC DATA					
protection degree	IP	44	44	44	44
dimensions (L - D - H)	mm	320 - 184 - 260			
weight	kg	11	11	12	12,5
working temperature	°C	-20 + 55	-20 + 55	-20 + 55	-20 + 55
gate maximum weight	Kg	400	700	500	800

ACCESSORIES



RN800 *
M4 nylon rack L=1000 mm for gates up to 800 kg

€/m



CREM-8 **
M4 zinc coated rack 30x8 mm L=1000 mm

€/m



CREM-12 **
M4 zinc coated rack 30x12 mm L=1000 mm

€/m



EGS101
Key selector with all-metal body

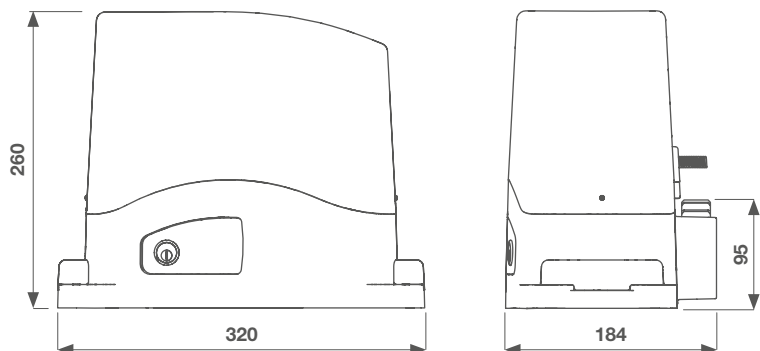
PC 1



TS
Warning board

PC 1

DIMENSIONS



* pack of 10 pcs
** pack of 4 pcs